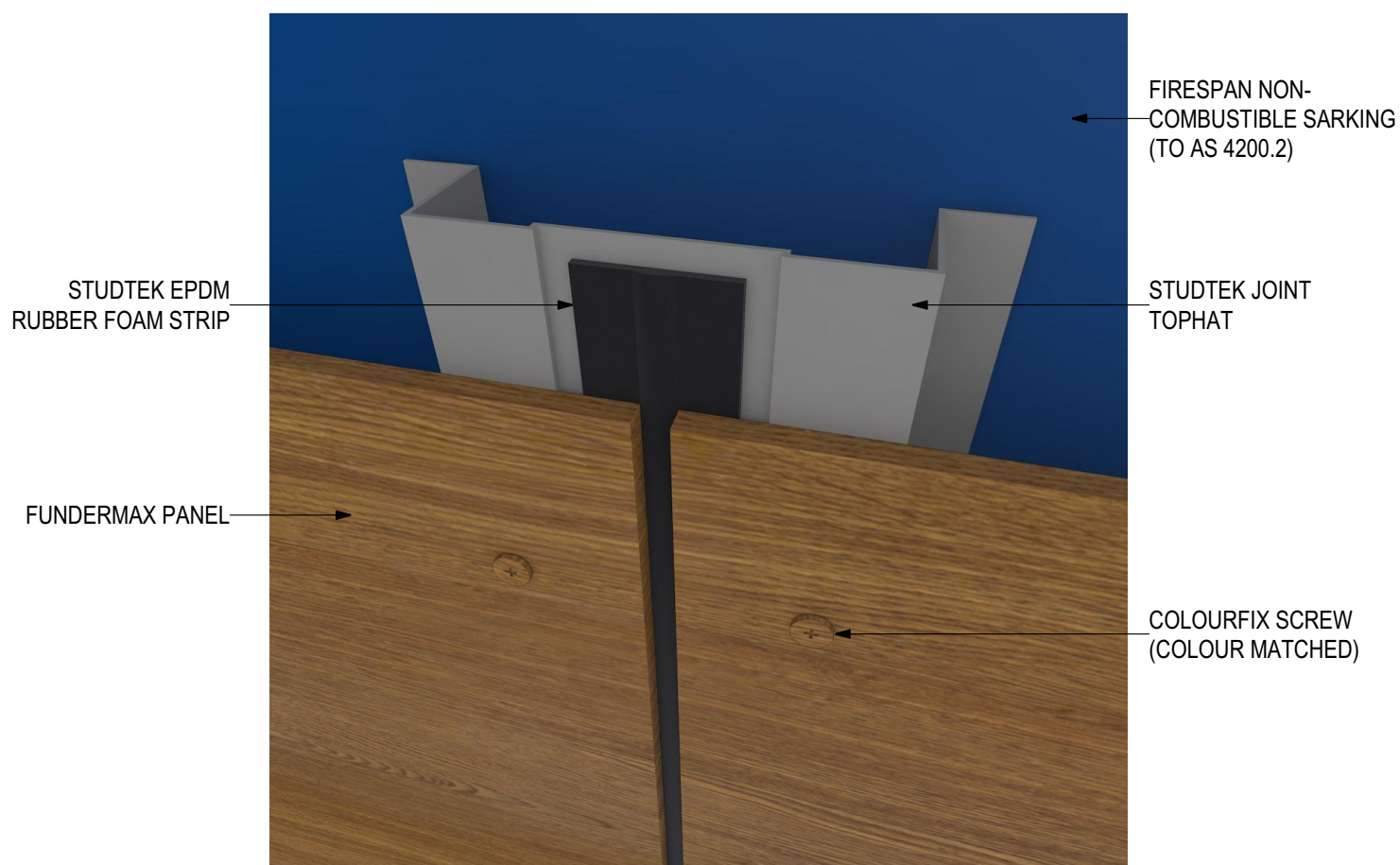


FUNDERMAX High Pressure Laminate Panel (V0120) FX-06-VSF Visible Screw Fix (Colour-matched)

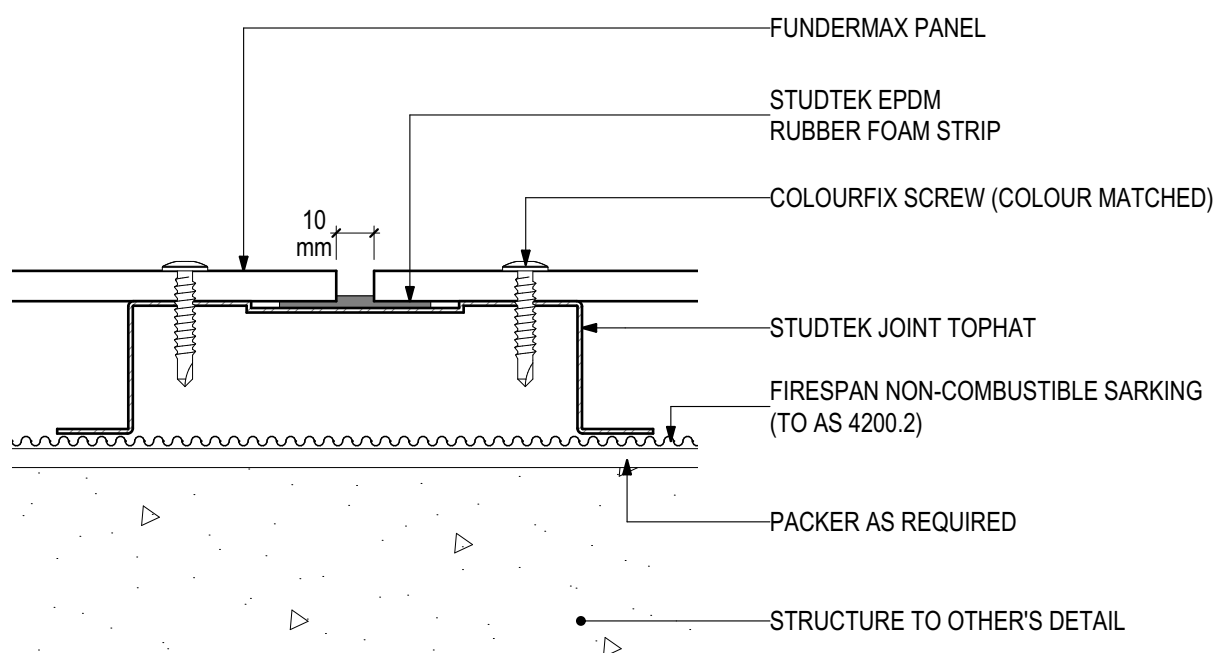


INSTALLATION DETAILS

Disclaimer: These details are general design details for use as a guide. Any use is at the user's own discretion and risk. All detailing and installation should be in accordance with all the relevant codes and standards as per current NCC requirements.

Blue Chip Group Pty Ltd
P: 08 9451 2344
F: 08 9451 8983
E: sales@bluechipgroup.net.au

FUNDERMAX High Pressure Laminate Panel (V0120) FX-06-VSF Visible Screw Fix (Colour-matched)



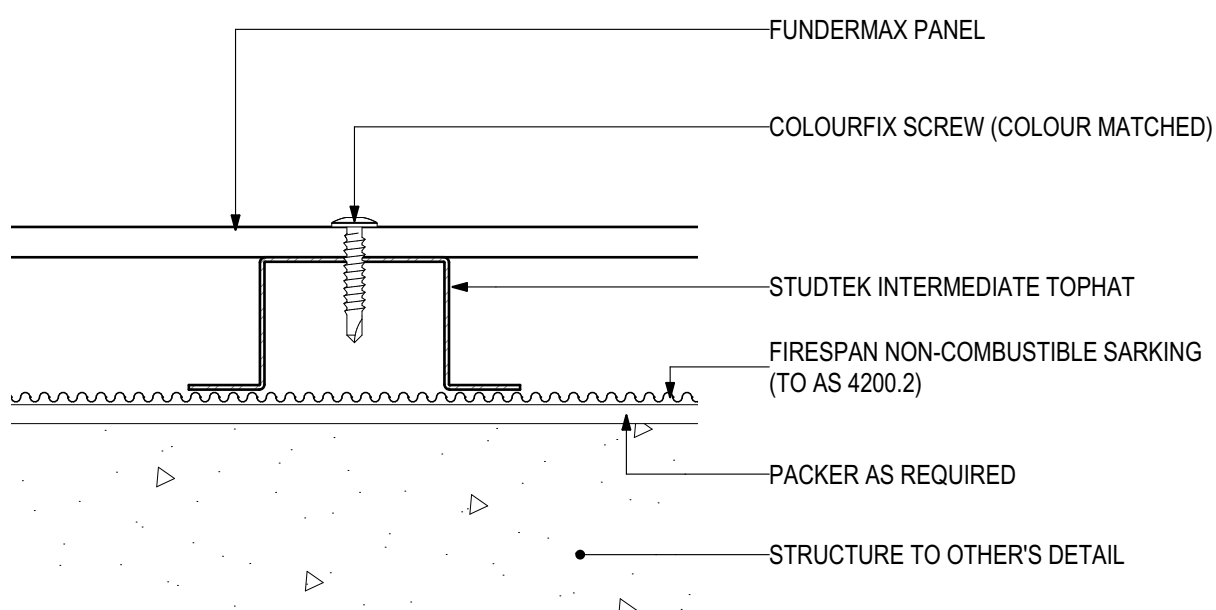
D.01 - TYPICAL FIXING DETAIL

SCALE 1:2

Disclaimer: These details are general design details for use as a guide. Any use is at the user's own discretion and risk. All detailing and installation should be in accordance with all the relevant codes and standards as per current NCC requirements.

Blue Chip Group Pty Ltd
P: 08 9451 2344
F: 08 9451 8983
E: sales@bluechipgroup.net.au

FUNDERMAX High Pressure Laminate Panel (V0120) FX-06-VSF Visible Screw Fix (Colour-matched)



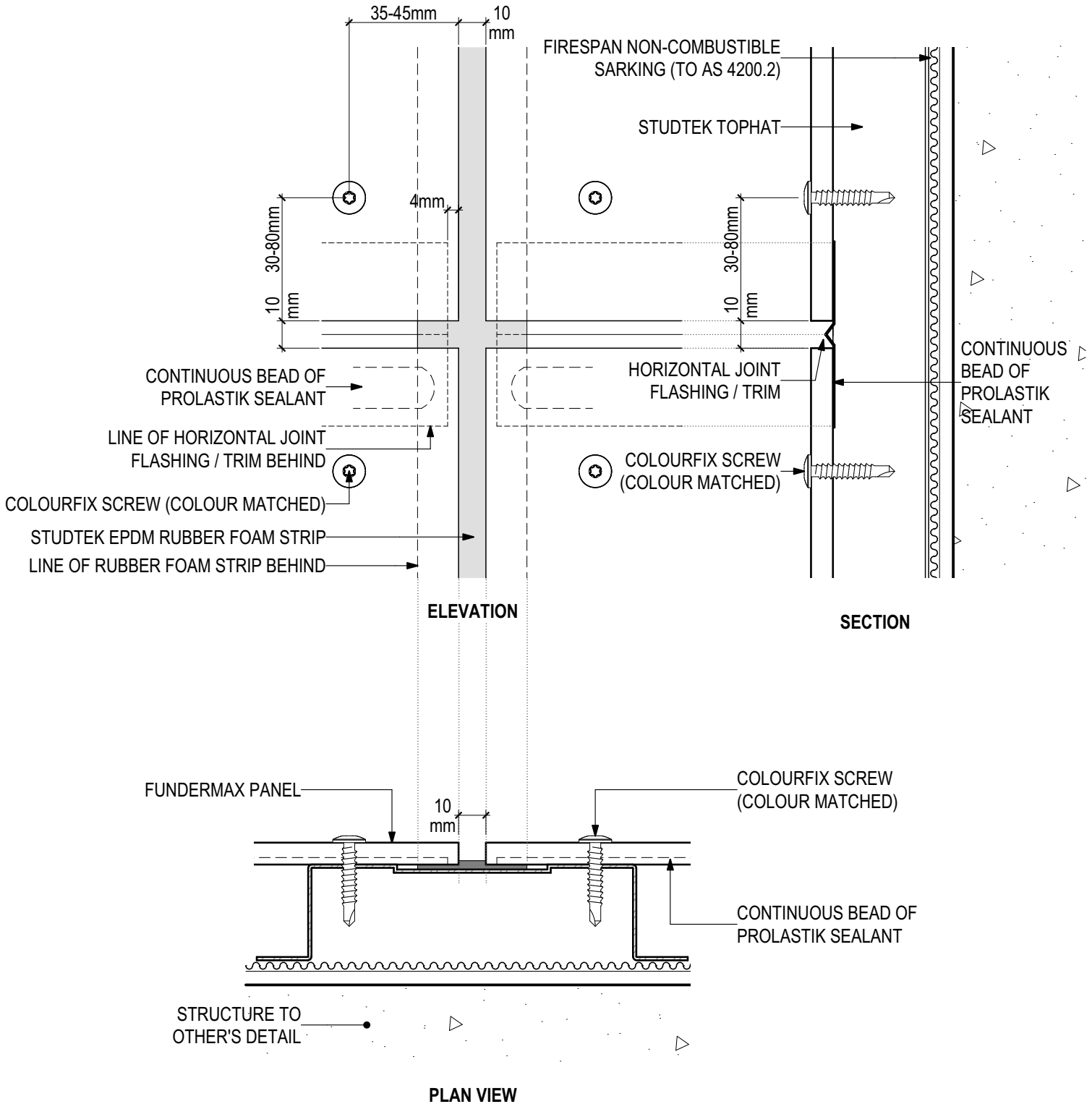
D.02 - INTERMEDIATE DETAIL

SCALE 1:2

Disclaimer: These details are general design details for use as a guide. Any use is at the user's own discretion and risk. All detailing and installation should be in accordance with all the relevant codes and standards as per current NCC requirements.

Blue Chip Group Pty Ltd
P: 08 9451 2344
F: 08 9451 8983
E: sales@bluechipgroup.net.au

FUNDERMAX High Pressure Laminate Panel (V0120) FX-06-VSF Visible Screw Fix (Colour-matched)



D.03 - EXPRESSED JOINT DETAIL

SCALE 1:2

Disclaimer: These details are general design details for use as a guide. Any use is at the user's own discretion and risk. All detailing and installation should be in accordance with all the relevant codes and standards as per current NCC requirements.

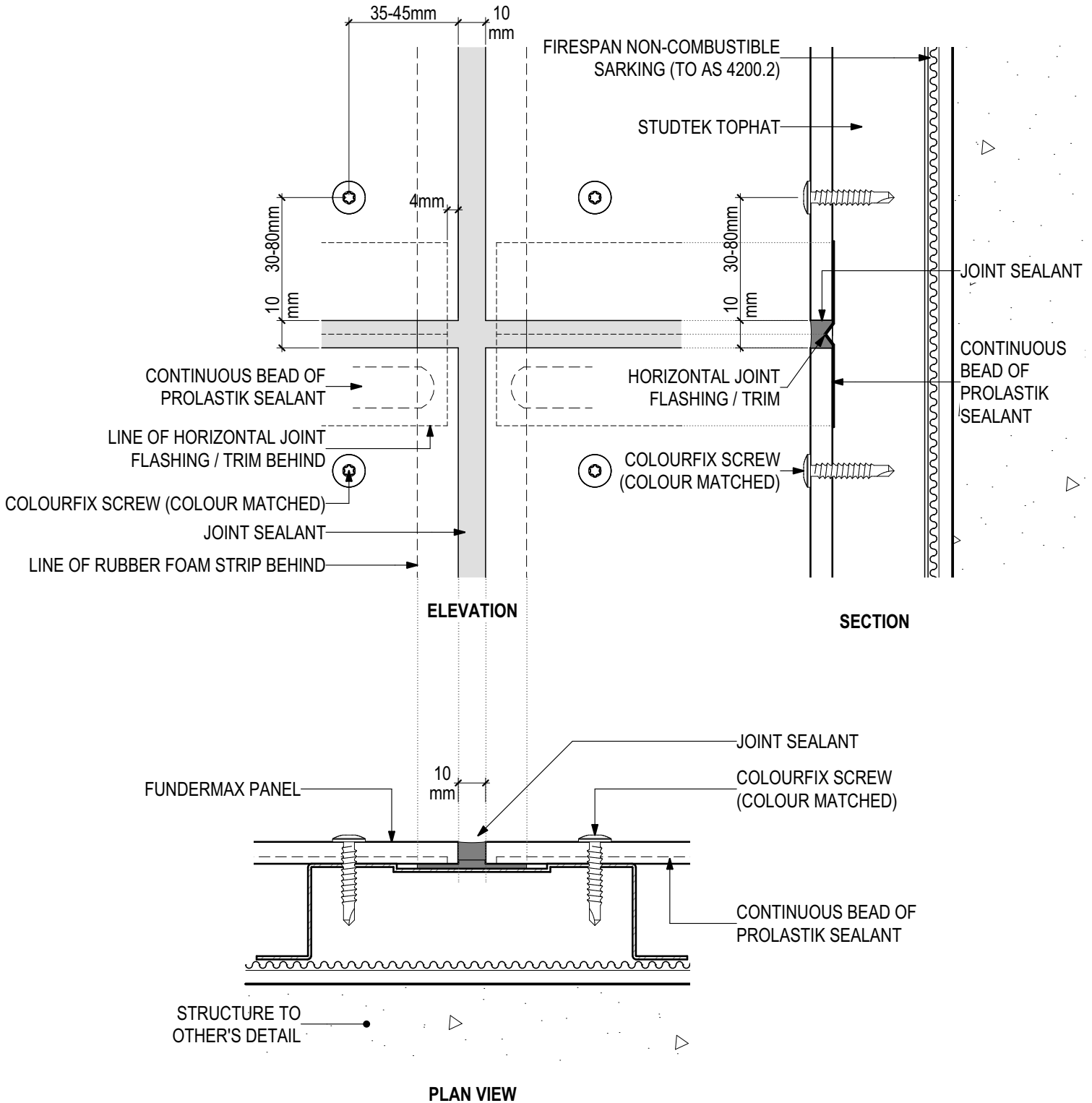
Blue Chip Group Pty Ltd

P: 08 9451 2344

F: 08 9451 8983

E: sales@bluechipgroup.net.au

FUNDERMAX High Pressure Laminate Panel (V0120)
FX-06-VSF Visible Screw Fix (Colour-matched)



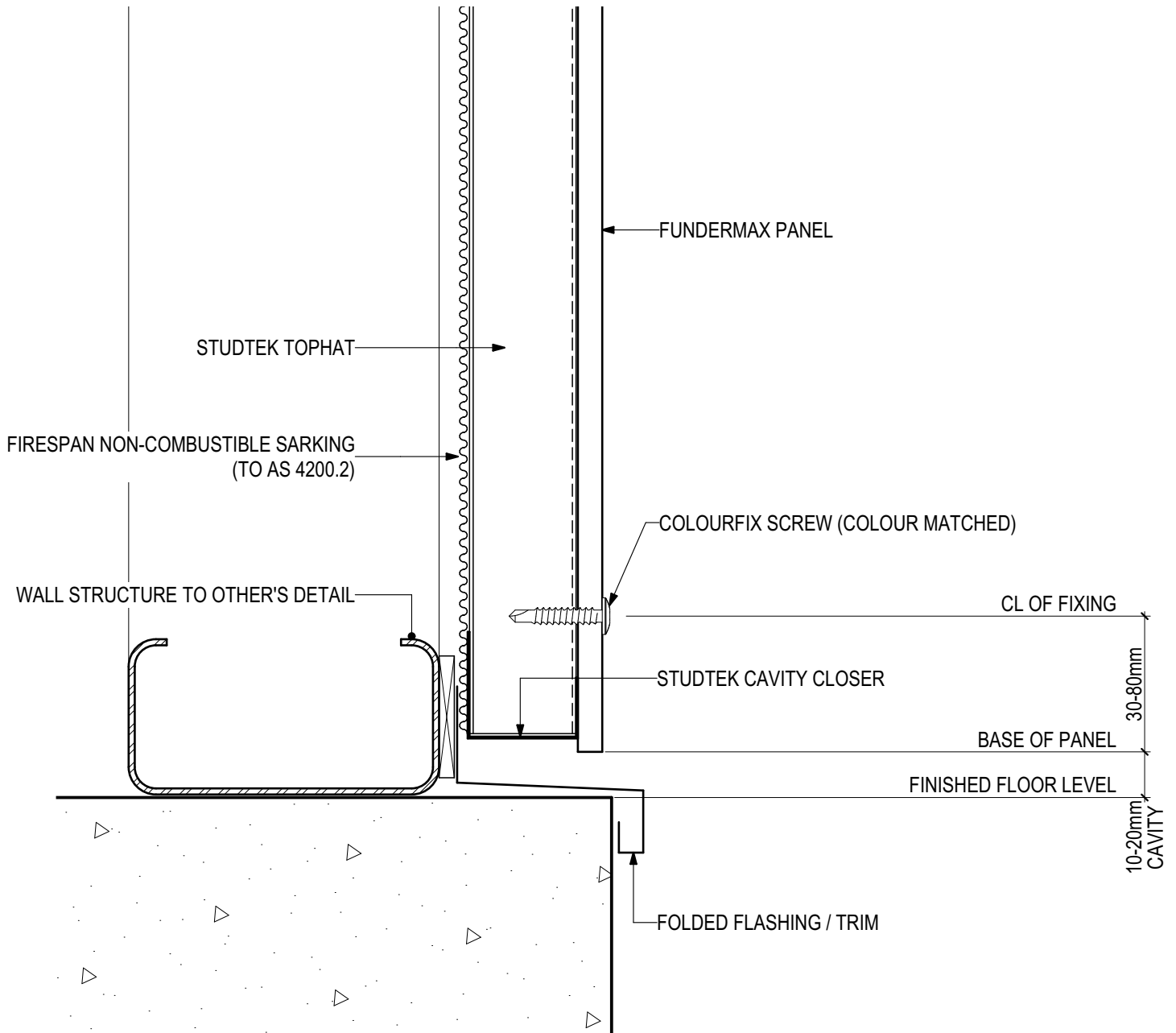
D.04 - SEALED JOINT

SCALE 1:2

Disclaimer: These details are general design details for use as a guide. Any use is at the user's own discretion and risk. All detailing and installation should be in accordance with all the relevant codes and standards as per current NCC requirements.

Blue Chip Group Pty Ltd
 P: 08 9451 2344
 F: 08 9451 8983
 E: sales@bluechipgroup.net.au

FUNDERMAX High Pressure Laminate Panel (V0120)
FX-06-VSF Visible Screw Fix (Colour-matched)



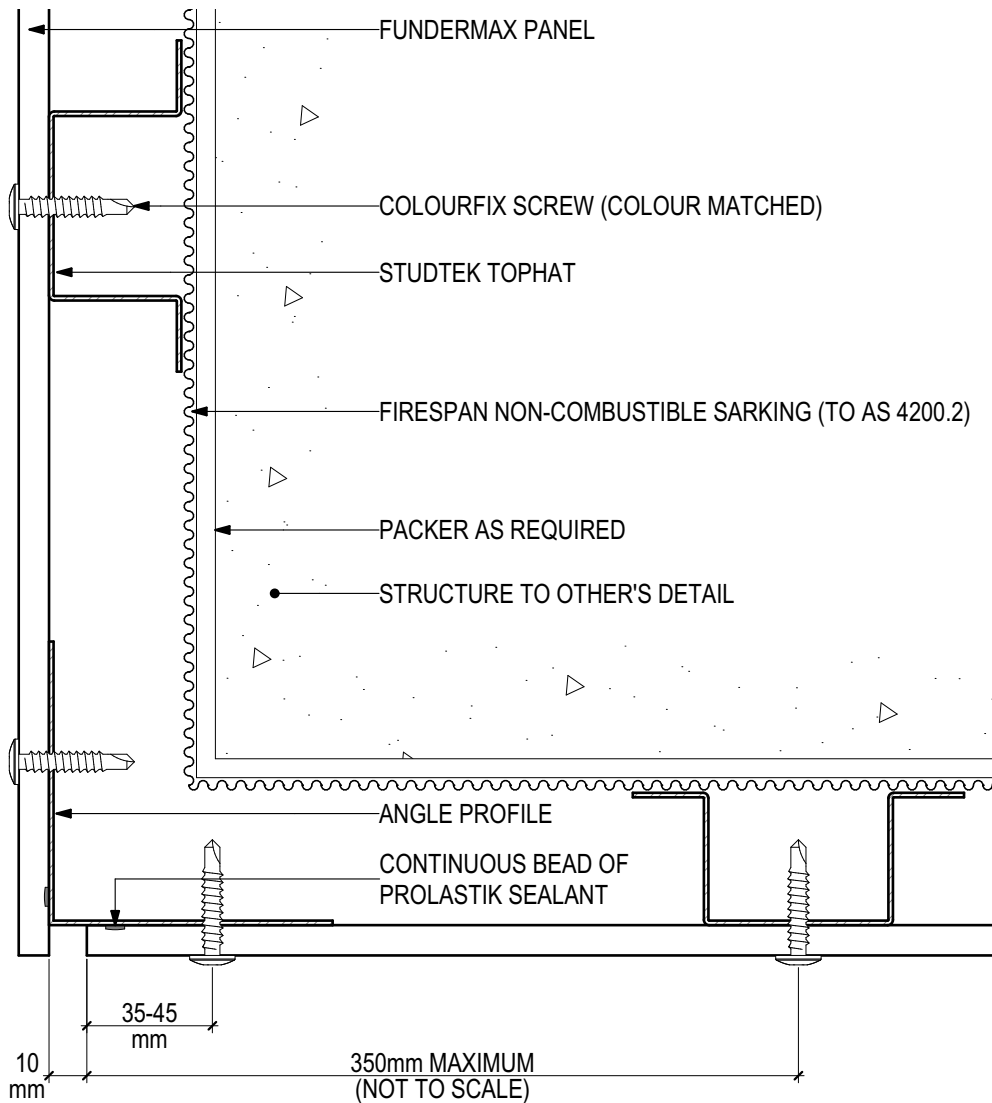
D.05 - BASE DETAIL

SCALE 1:2

Disclaimer: These details are general design details for use as a guide. Any use is at the user's own discretion and risk. All detailing and installation should be in accordance with all the relevant codes and standards as per current NCC requirements.

Blue Chip Group Pty Ltd
P: 08 9451 2344
F: 08 9451 8983
E: sales@bluechipgroup.net.au

FUNDERMAX High Pressure Laminate Panel (V0120)
FX-06-VSF Visible Screw Fix (Colour-matched)



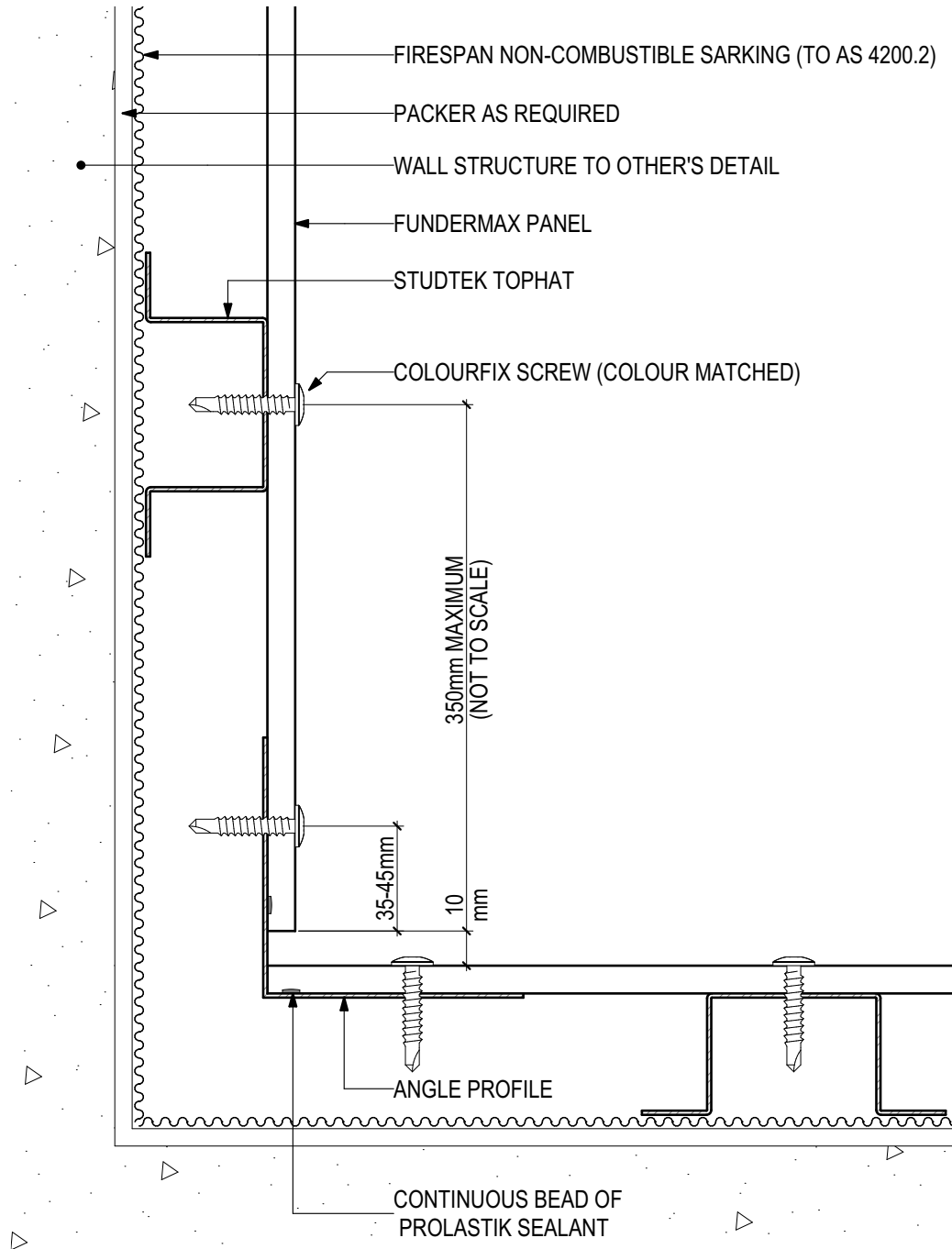
D.06 - EXTERNAL CORNER

SCALE 1:2

Disclaimer: These details are general design details for use as a guide. Any use is at the user's own discretion and risk. All detailing and installation should be in accordance with all the relevant codes and standards as per current NCC requirements.

Blue Chip Group Pty Ltd
P: 08 9451 2344
F: 08 9451 8983
E: sales@bluechipgroup.net.au

FUNDERMAX High Pressure Laminate Panel (V0120)
FX-06-VSF Visible Screw Fix (Colour-matched)



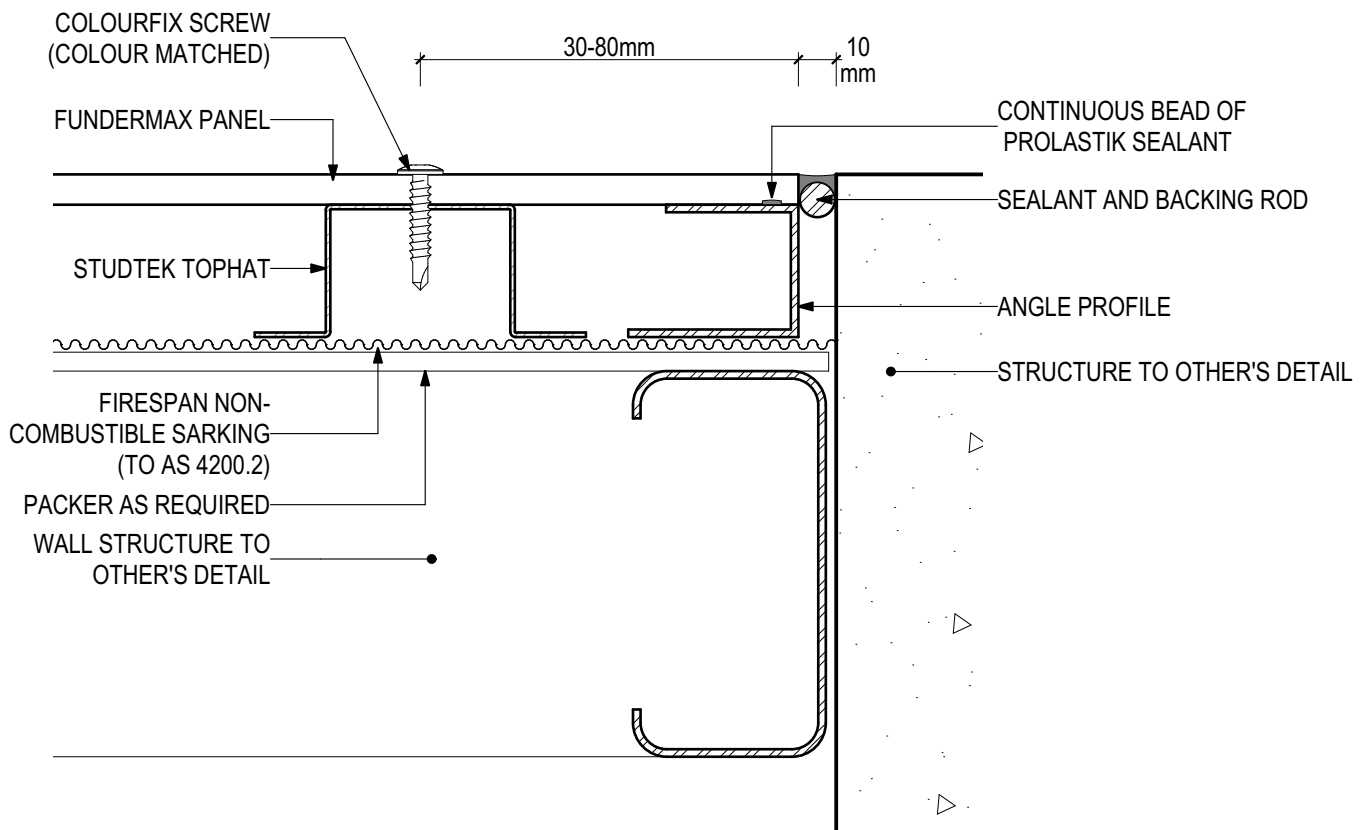
D.07 - INTERNAL CORNER

SCALE 1:2

Disclaimer: These details are general design details for use as a guide. Any use is at the user's own discretion and risk. All detailing and installation should be in accordance with all the relevant codes and standards as per current NCC requirements.

Blue Chip Group Pty Ltd
P: 08 9451 2344
F: 08 9451 8983
E: sales@bluechipgroup.net.au

FUNDERMAX High Pressure Laminate Panel (V0120)
FX-06-VSF Visible Screw Fix (Colour-matched)



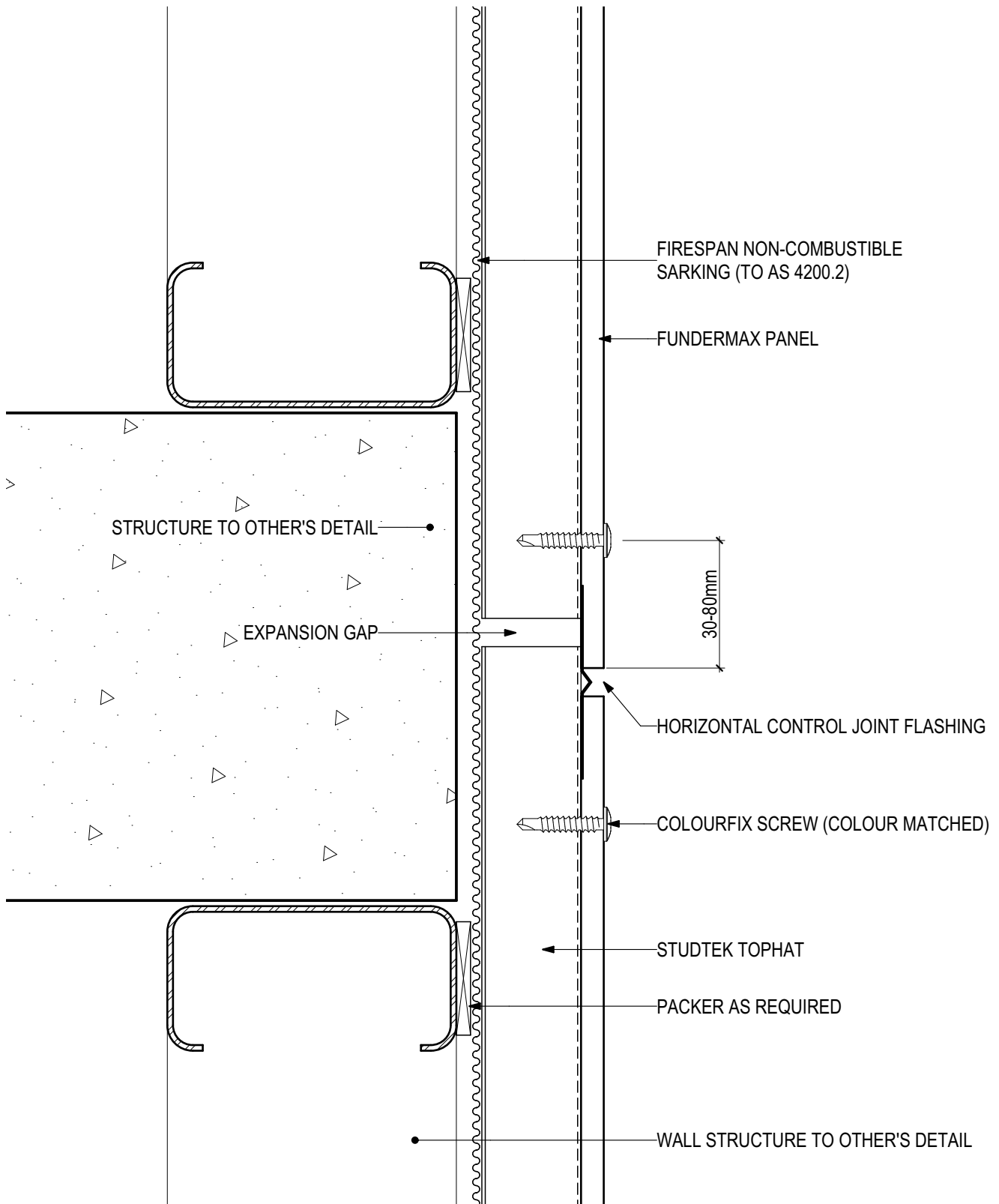
D.08 - WALL ABUTMENT

SCALE 1:2

Disclaimer: These details are general design details for use as a guide. Any use is at the user's own discretion and risk. All detailing and installation should be in accordance with all the relevant codes and standards as per current NCC requirements.

Blue Chip Group Pty Ltd
P: 08 9451 2344
F: 08 9451 8983
E: sales@bluechipgroup.net.au

FUNDERMAX High Pressure Laminate Panel (V0120)
FX-06-VSF Visible Screw Fix (Colour-matched)



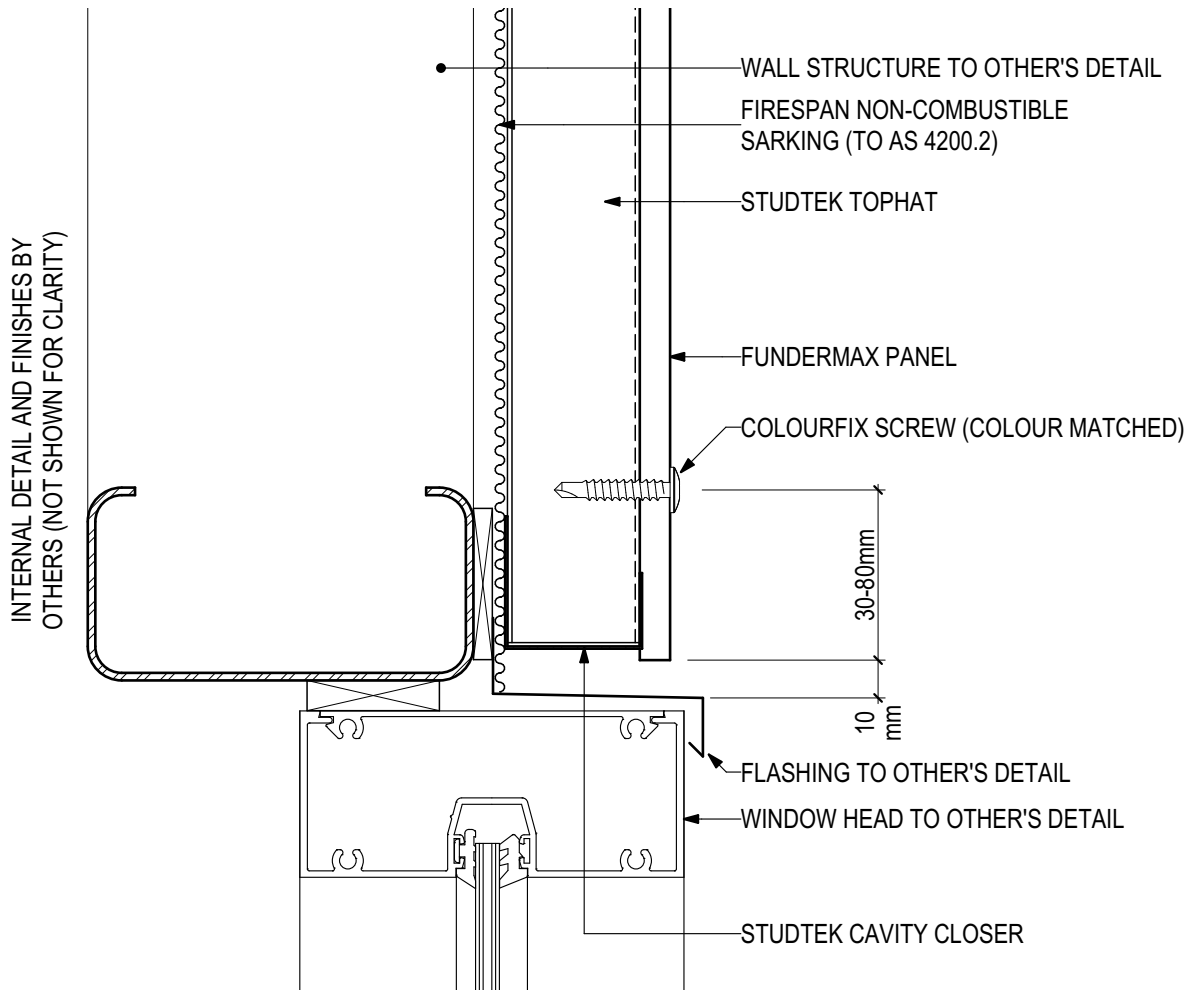
D.09 - HORIZONTAL CONTROL JOINT

SCALE 1:2

Disclaimer: These details are general design details for use as a guide. Any use is at the user's own discretion and risk. All detailing and installation should be in accordance with all the relevant codes and standards as per current NCC requirements.

Blue Chip Group Pty Ltd
P: 08 9451 2344
F: 08 9451 8983
E: sales@bluechipgroup.net.au

FUNDERMAX High Pressure Laminate Panel (V0120)
FX-06-VSF Visible Screw Fix (Colour-matched)



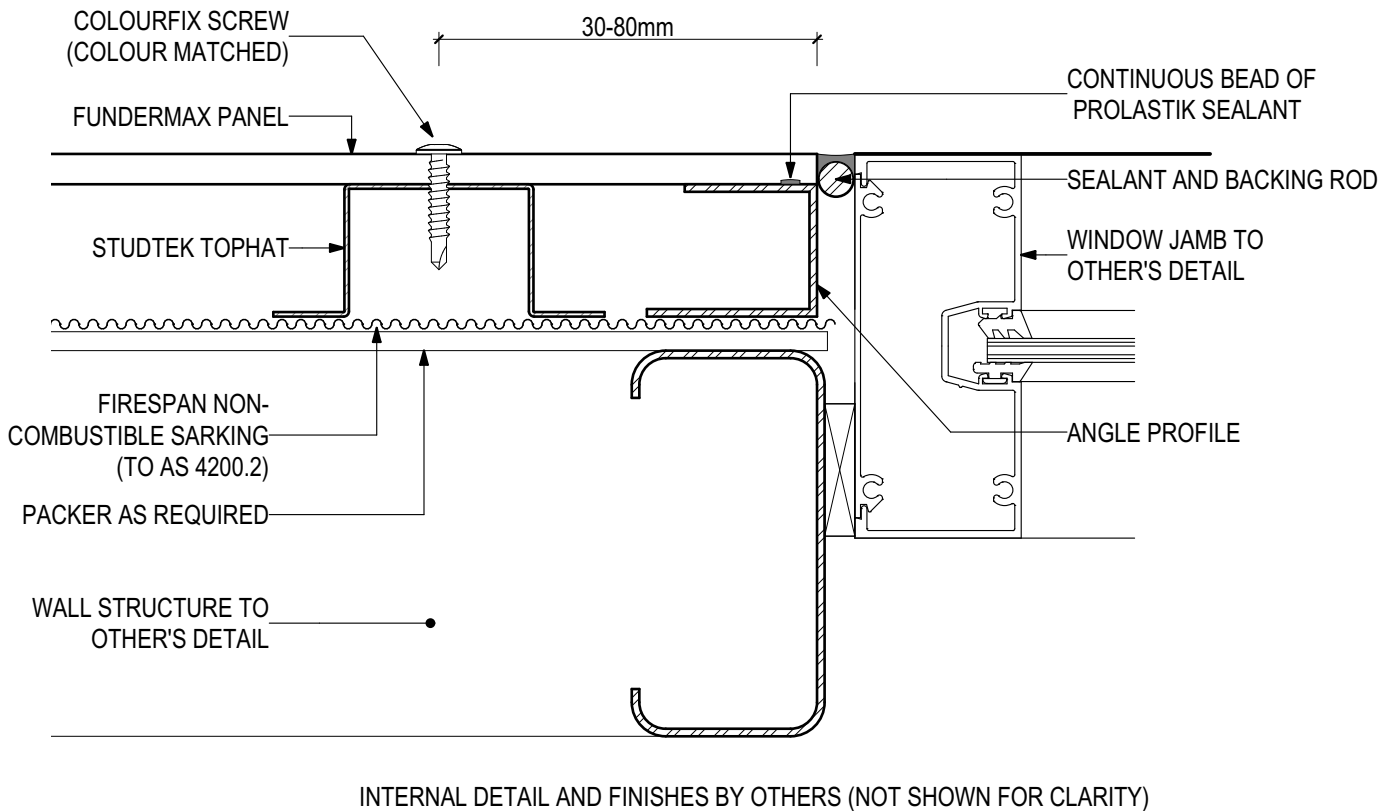
D.10 - WINDOW HEAD

SCALE 1:2

Disclaimer: These details are general design details for use as a guide. Any use is at the user's own discretion and risk. All detailing and installation should be in accordance with all the relevant codes and standards as per current NCC requirements.

Blue Chip Group Pty Ltd
P: 08 9451 2344
F: 08 9451 8983
E: sales@bluechipgroup.net.au

FUNDERMAX High Pressure Laminate Panel (V0120) FX-06-VSF Visible Screw Fix (Colour-matched)



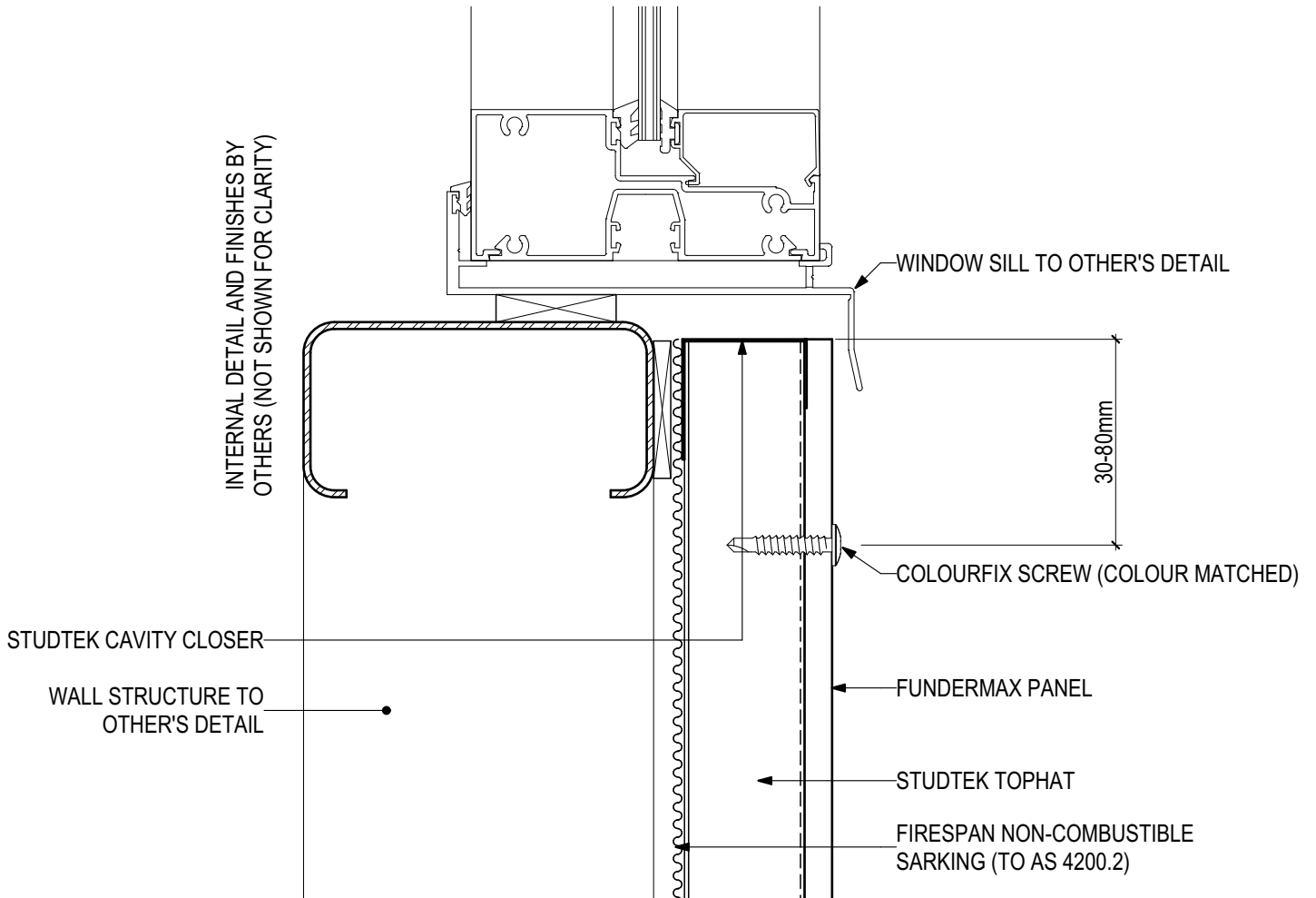
D.11 - WINDOW JAMB

SCALE 1:2

Disclaimer: These details are general design details for use as a guide. Any use is at the user's own discretion and risk. All detailing and installation should be in accordance with all the relevant codes and standards as per current NCC requirements.

Blue Chip Group Pty Ltd
P: 08 9451 2344
F: 08 9451 8983
E: sales@bluechipgroup.net.au

FUNDERMAX High Pressure Laminate Panel (V0120) FX-06-VSF Visible Screw Fix (Colour-matched)



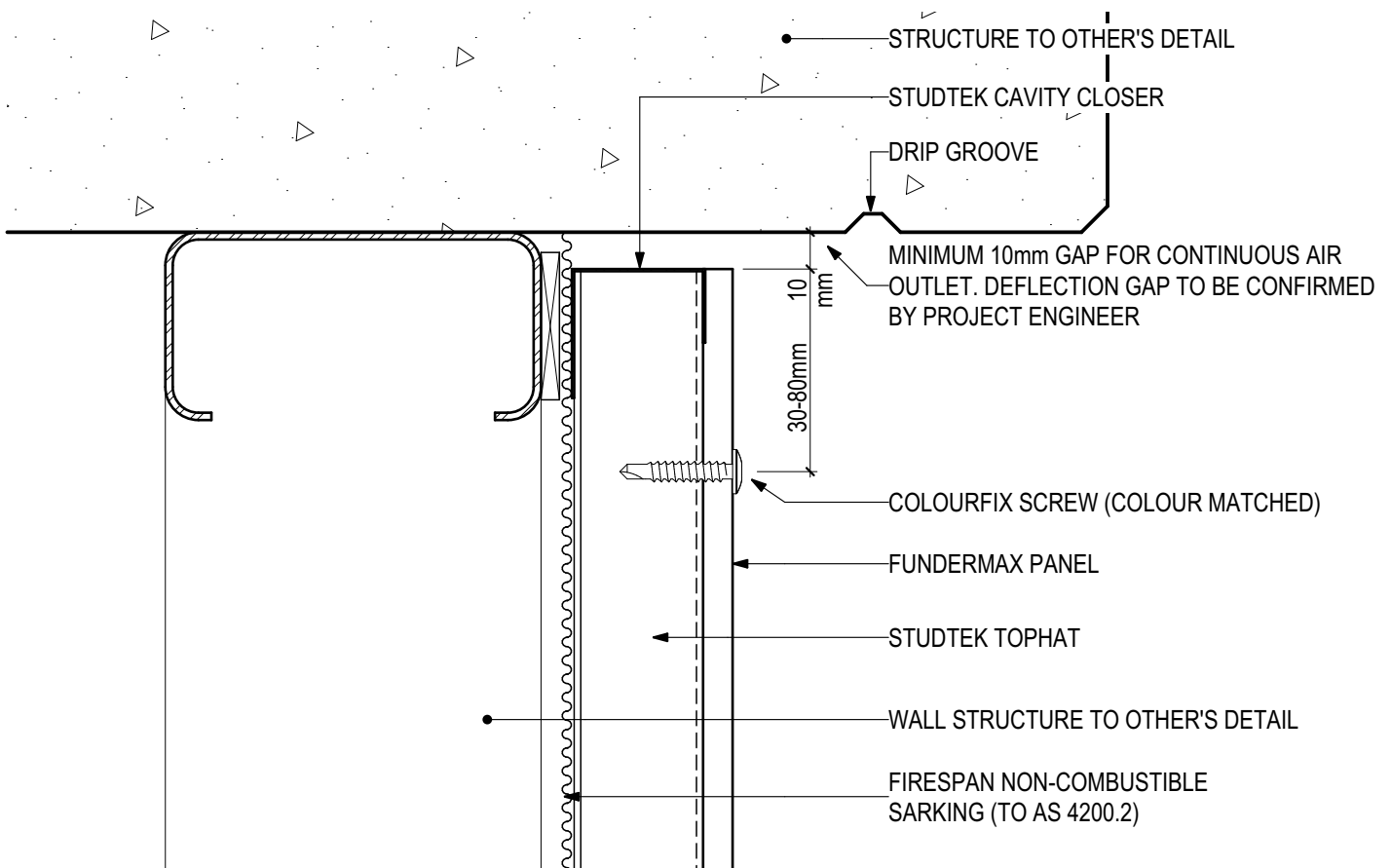
D.12 - WINDOW SILL

SCALE 1:2

Disclaimer: These details are general design details for use as a guide. Any use is at the user's own discretion and risk. All detailing and installation should be in accordance with all the relevant codes and standards as per current NCC requirements.

Blue Chip Group Pty Ltd
P: 08 9451 2344
F: 08 9451 8983
E: sales@bluechipgroup.net.au

FUNDERMAX High Pressure Laminate Panel (V0120) FX-06-VSF Visible Screw Fix (Colour-matched)



D.13 - HEAD AT SLAB JUNCTION

SCALE 1:2

Disclaimer: These details are general design details for use as a guide. Any use is at the user's own discretion and risk. All detailing and installation should be in accordance with all the relevant codes and standards as per current NCC requirements.

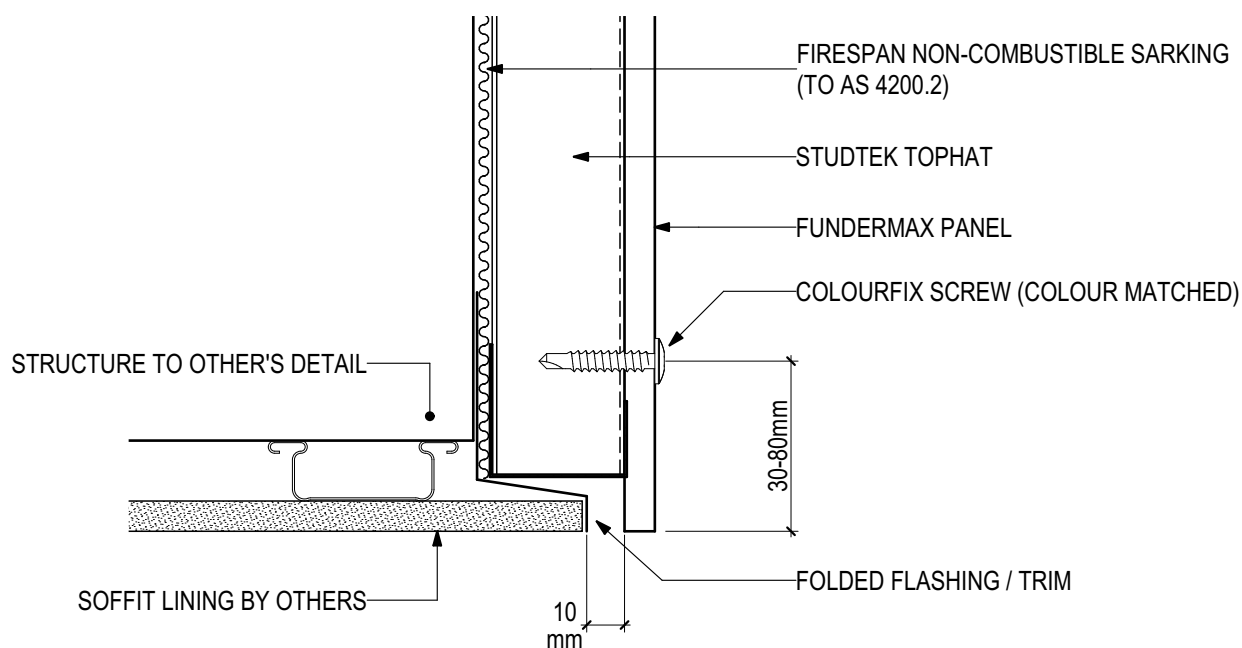
Blue Chip Group Pty Ltd

P: 08 9451 2344

F: 08 9451 8983

E: sales@bluechipgroup.net.au

FUNDERMAX High Pressure Laminate Panel (V0120) FX-06-VSF Visible Screw Fix (Colour-matched)



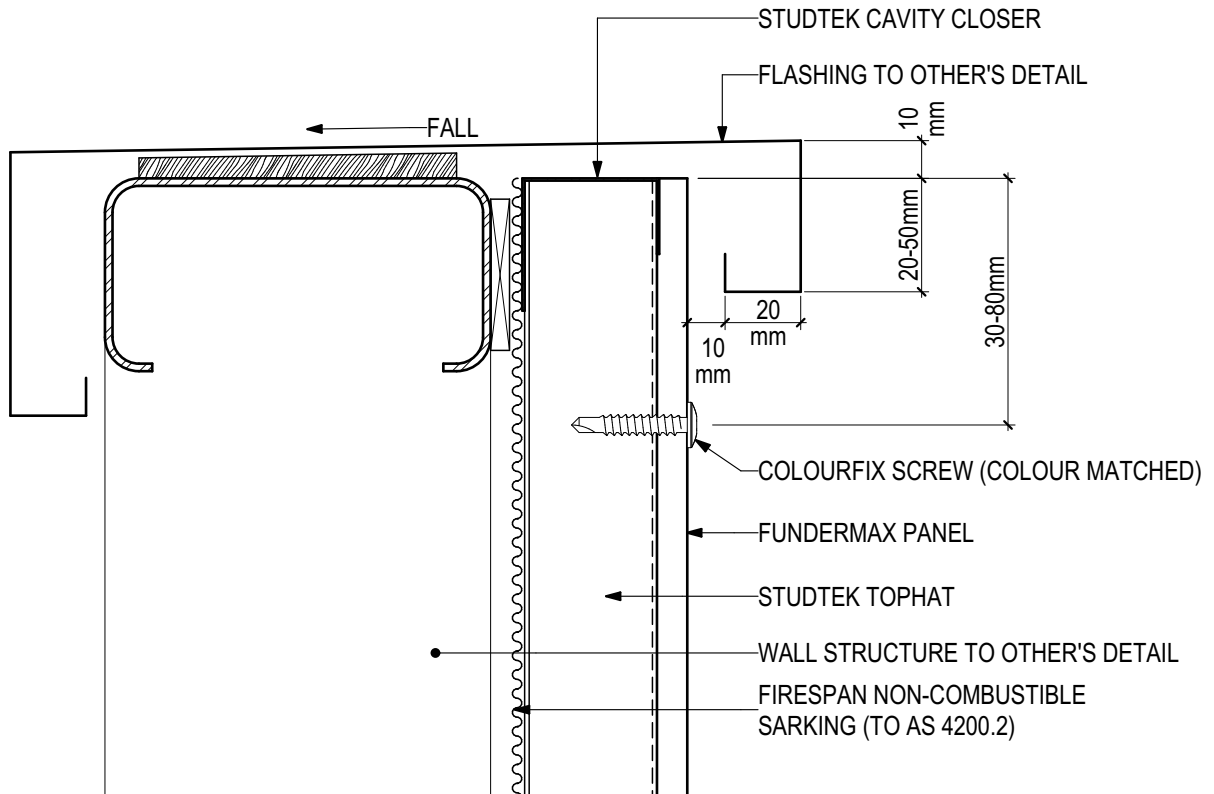
D.14 - SOFFIT JUNCTION

SCALE 1:2

Disclaimer: These details are general design details for use as a guide. Any use is at the user's own discretion and risk. All detailing and installation should be in accordance with all the relevant codes and standards as per current NCC requirements.

Blue Chip Group Pty Ltd
P: 08 9451 2344
F: 08 9451 8983
E: sales@bluechipgroup.net.au

FUNDERMAX High Pressure Laminate Panel (V0120)
FX-06-VSF Visible Screw Fix (Colour-matched)



D.15 - PARAPET DETAIL

SCALE 1:2

Disclaimer: These details are general design details for use as a guide. Any use is at the user's own discretion and risk. All detailing and installation should be in accordance with all the relevant codes and standards as per current NCC requirements.

Blue Chip Group Pty Ltd
P: 08 9451 2344
F: 08 9451 8983
E: sales@bluechipgroup.net.au