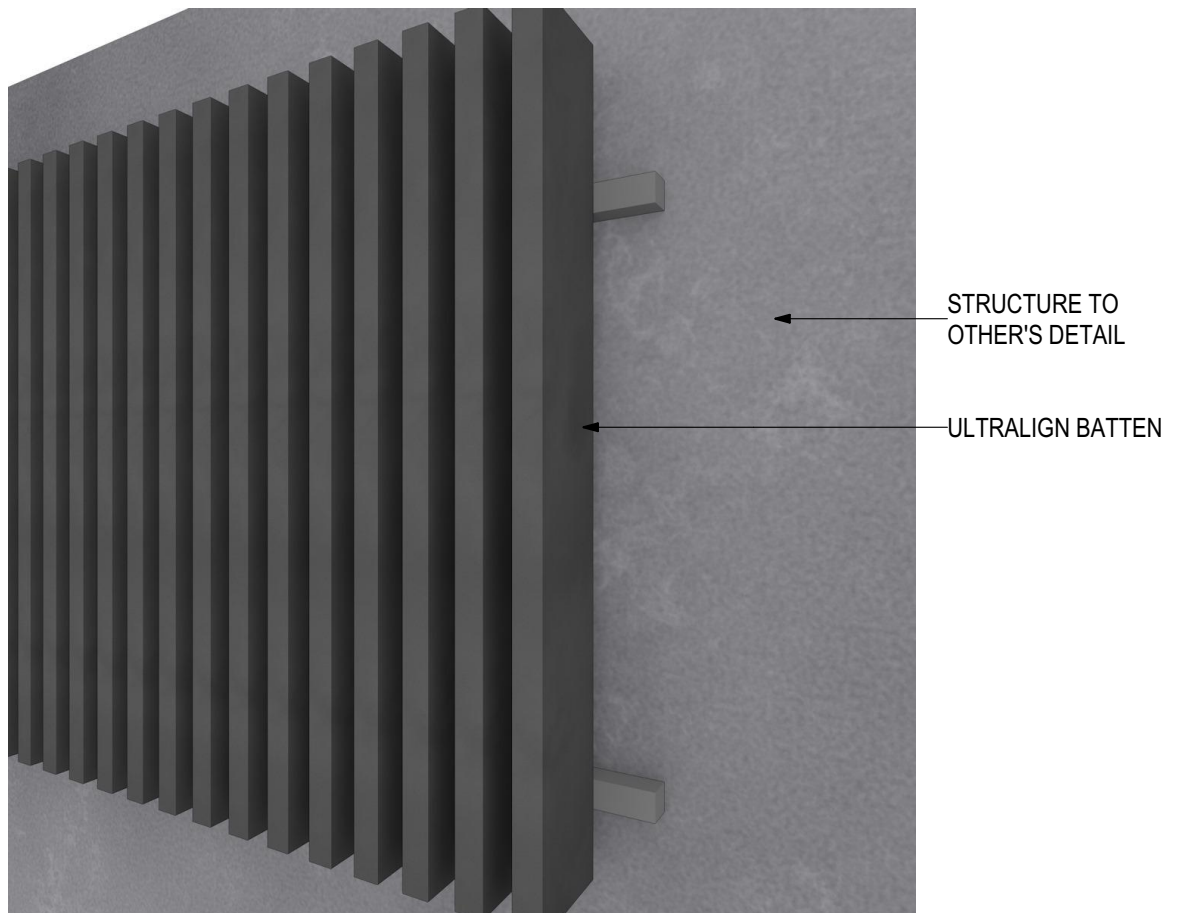


# ULTRALIGN Non-combustible Aluminium Battens (V1119) UW-50-CCF

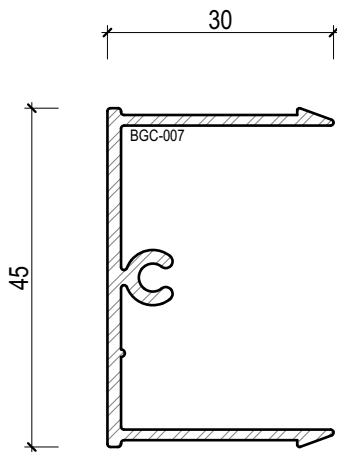


## ULTRALIGN BATTEN PROFILES

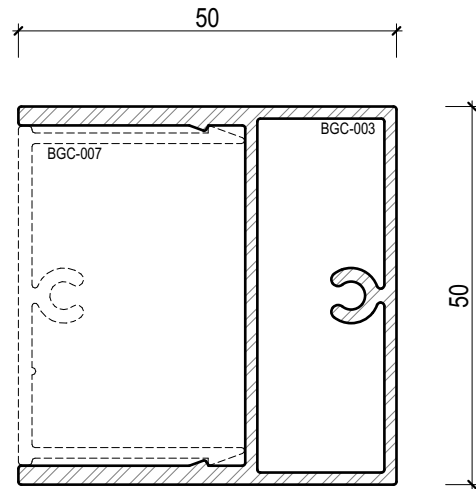
Disclaimer: These details are general design details for use as a guide. Any use is at the user's own discretion and risk. All detailing and installation should be in accordance with all the relevant codes and standards as per current NCC requirements.

**Blue Chip Group Pty Ltd**  
P: 08 9451 2344  
F: 08 9451 8983  
E: [sales@bluechipgroup.net.au](mailto:sales@bluechipgroup.net.au)

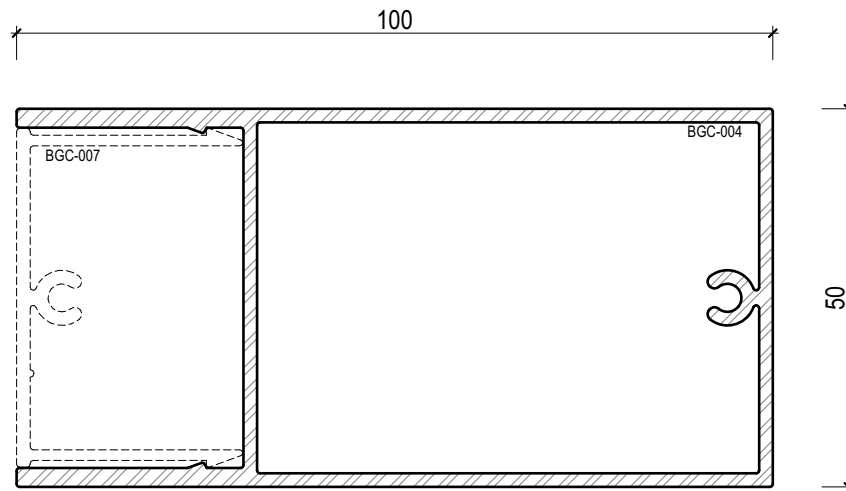
# ULTRALIGN Non-combustible Aluminium Battens (V1119) UW-50-CCF



**BASE CLIP**



**BGC-UWB5050  
ULTRALIGN 50 x 50 Batten**



**UWB10050  
ULTRALIGN 100 x 50 Batten**

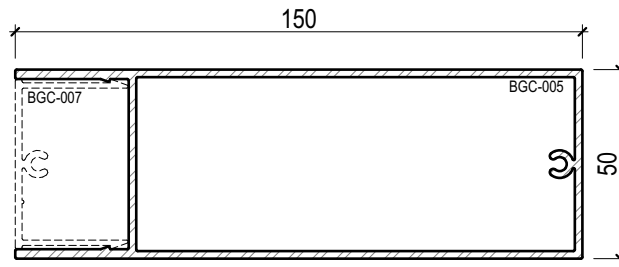
## ULTRALIGN BATTEN PROFILES

SCALE 1:1

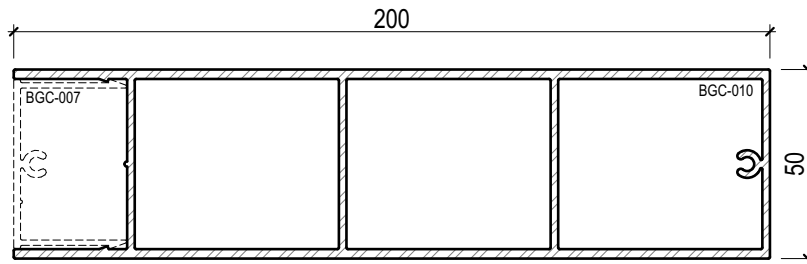
Disclaimer: These details are general design details for use as a guide. Any use is at the user's own discretion and risk. All detailing and installation should be in accordance with all the relevant codes and standards as per current NCC requirements.

**Blue Chip Group Pty Ltd**  
P: 08 9451 2344  
F: 08 9451 8983  
E: [sales@bluechipgroup.net.au](mailto:sales@bluechipgroup.net.au)

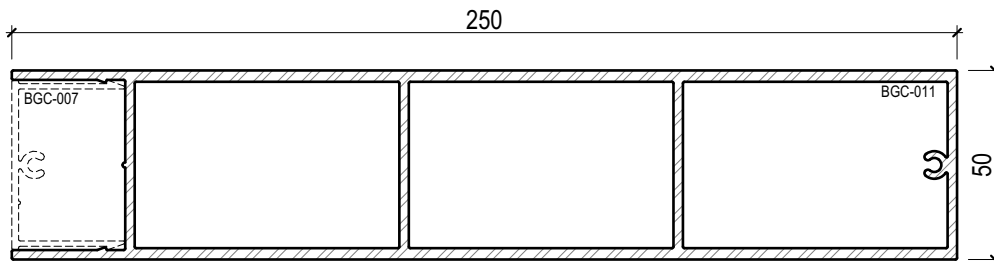
# ULTRALIGN Non-combustible Aluminium Battens (V1119) UW-50-CCF



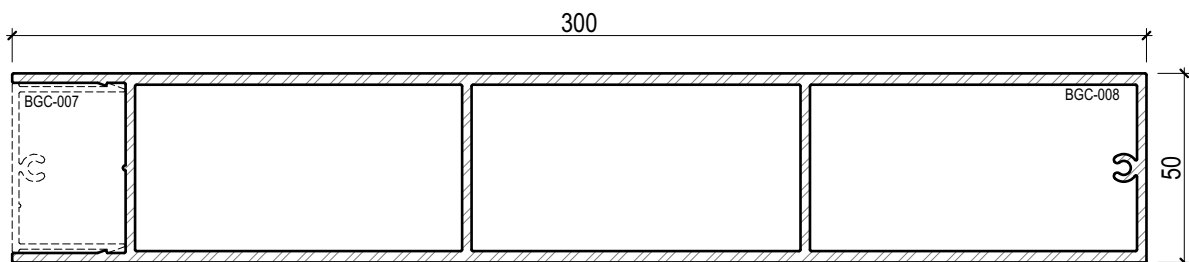
**UWB15050**  
**ULTRALIGN 150 x 50 Batten**



**UWB20050**  
**ULTRALIGN 200 x 50 Batten**



**UWB25050**  
**ULTRALIGN 250 x 50 Batten**



**UWB30050**  
**ULTRALIGN 300 x 50 Batten**

## ULTRALIGN BATTEN PROFILES

SCALE 1:2

Disclaimer: These details are general design details for use as a guide. Any use is at the user's own discretion and risk. All detailing and installation should be in accordance with all the relevant codes and standards as per current NCC requirements.

**Blue Chip Group Pty Ltd**  
P: 08 9451 2344  
F: 08 9451 8983  
E: [sales@bluechipgroup.net.au](mailto:sales@bluechipgroup.net.au)