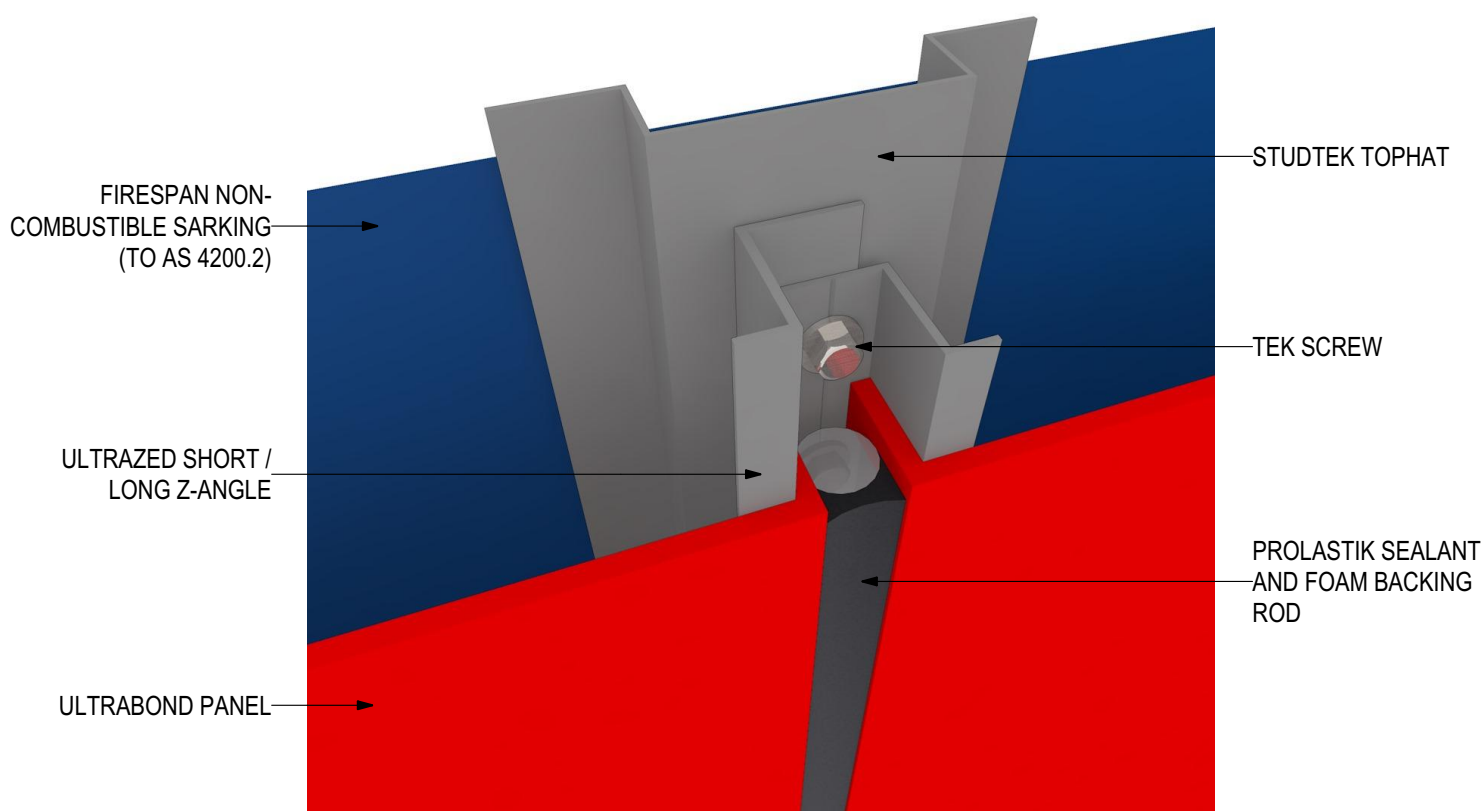


ULTRABOND Fire Resistant Aluminium Composite Panel (V0919) UB-04-CCF Concealed Cassette Fix

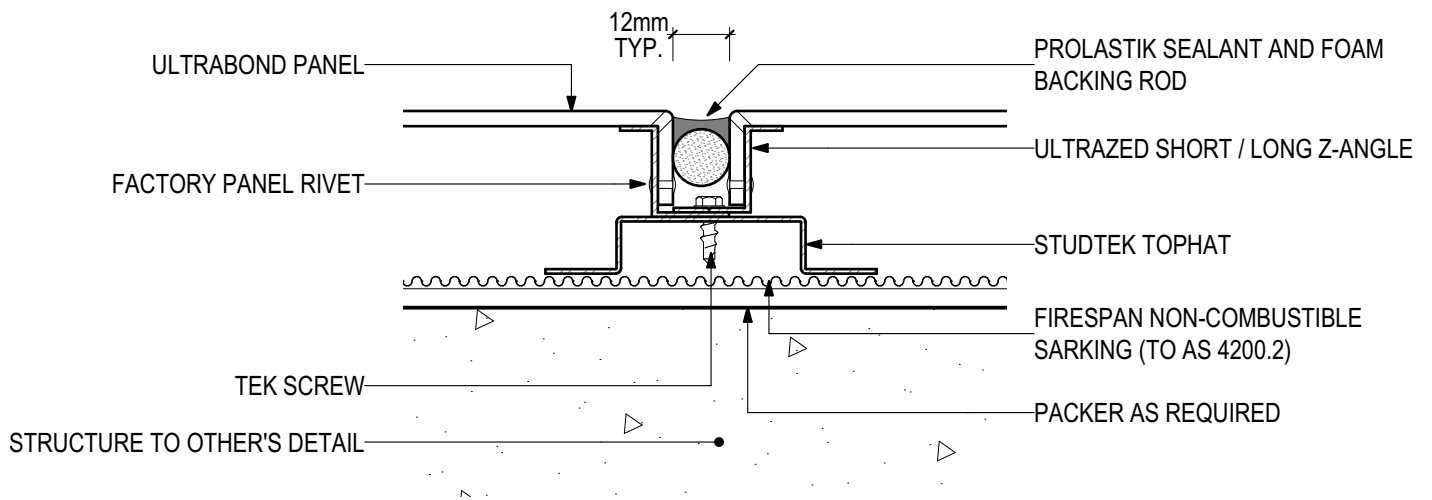


INSTALLATION DETAILS

Disclaimer: These details are general design details for use as a guide. Any use is at the user's own discretion and risk. All detailing and installation should be in accordance with all the relevant codes and standards as per current NCC requirements.

Blue Chip Group Pty Ltd
P: 08 9451 2344
F: 08 9451 8983
E: sales@bluechipgroup.net.au

ULTRABOND Fire Resistant Aluminium Composite Panel (V0919) UB-04-CCF Concealed Cassette Fix



D.01 - TYPICAL FIXING DETAIL

SCALE 1:2

Disclaimer: These details are general design details for use as a guide. Any use is at the user's own discretion and risk. All detailing and installation should be in accordance with all the relevant codes and standards as per current NCC requirements.

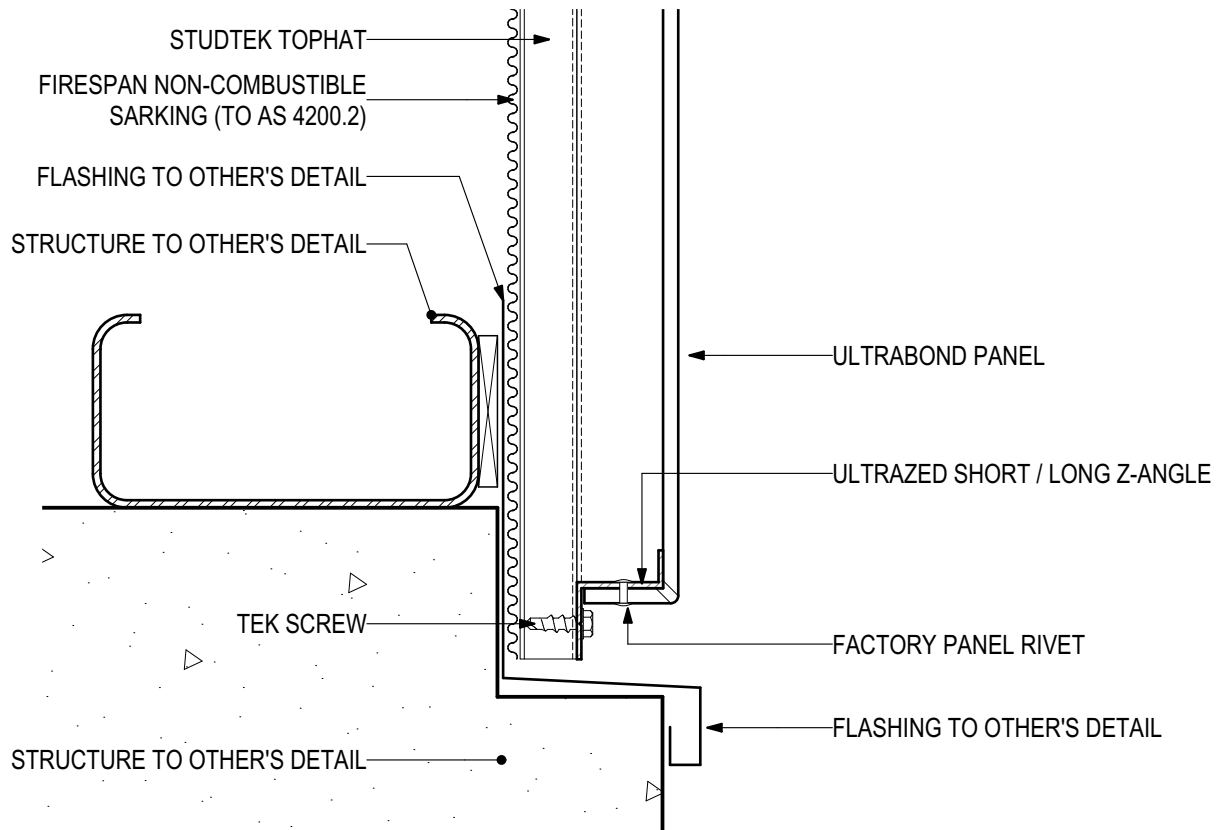
Blue Chip Group Pty Ltd

P: 08 9451 2344

F: 08 9451 8983

E: sales@bluechipgroup.net.au

ULTRABOND Fire Resistant Aluminium Composite Panel (V0919) UB-04-CCF Concealed Cassette Fix



D.02 - BASE DETAIL

SCALE 1:2

Disclaimer: These details are general design details for use as a guide. Any use is at the user's own discretion and risk. All detailing and installation should be in accordance with all the relevant codes and standards as per current NCC requirements.

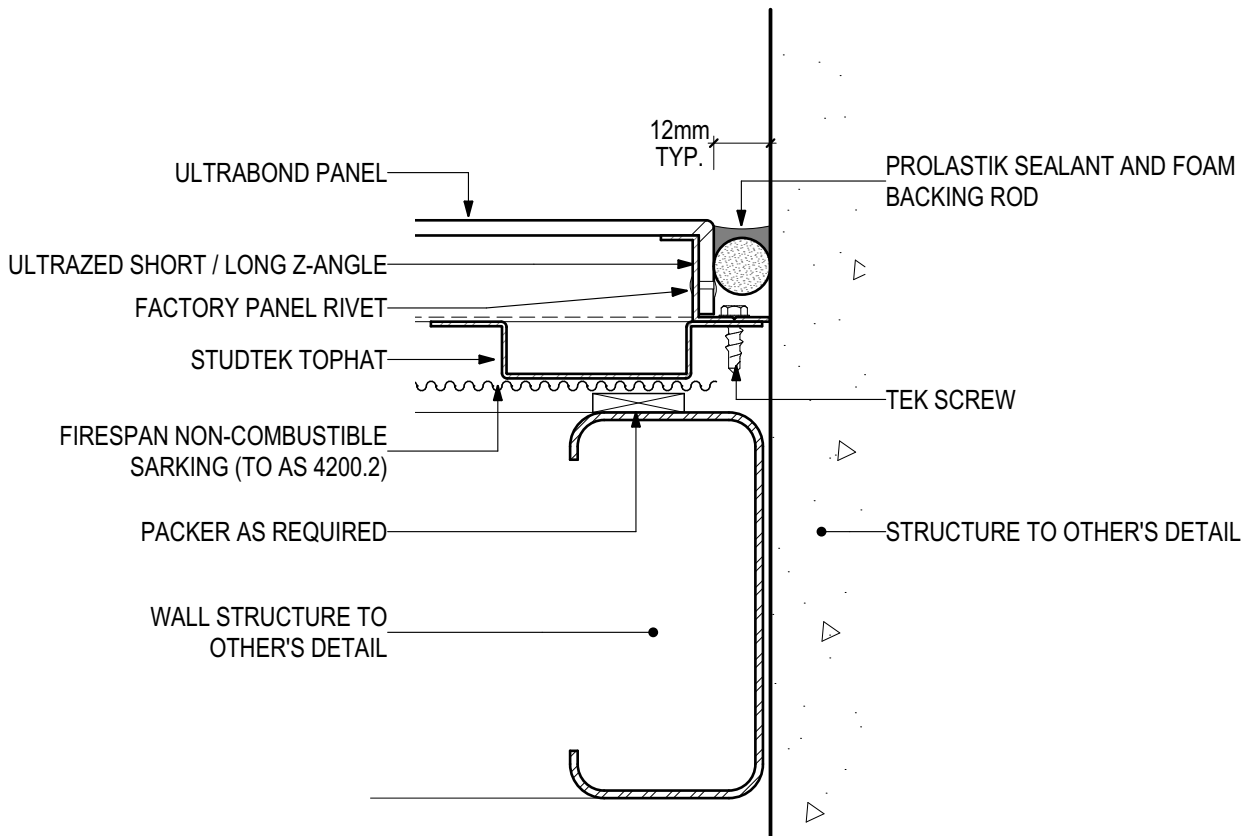
Blue Chip Group Pty Ltd

P: 08 9451 2344

F: 08 9451 8983

E: sales@bluechipgroup.net.au

ULTRABOND Fire Resistant Aluminium Composite Panel (V0919) UB-04-CCF Concealed Cassette Fix



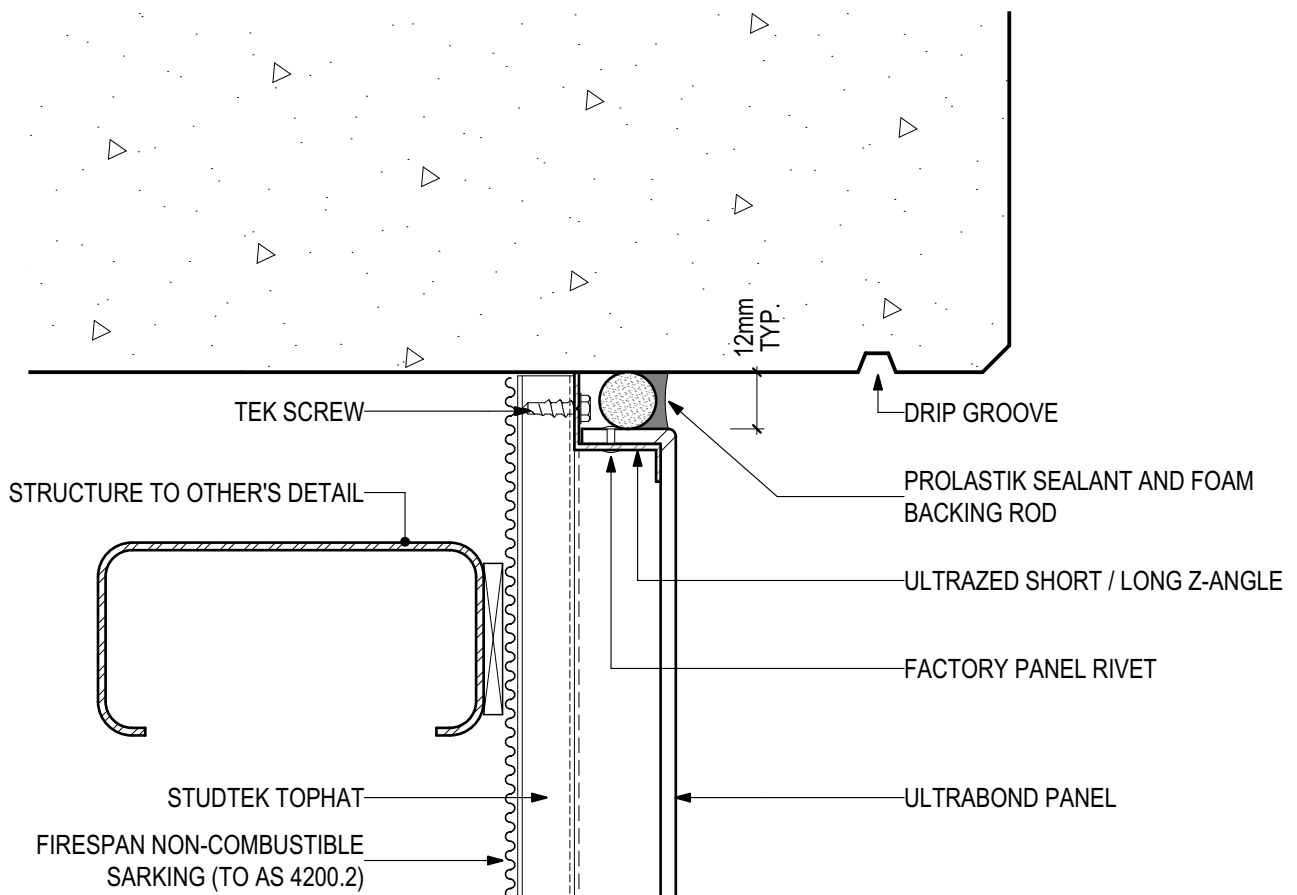
D.03 - WALL ABUTMENT

SCALE 1:2

Disclaimer: These details are general design details for use as a guide. Any use is at the user's own discretion and risk. All detailing and installation should be in accordance with all the relevant codes and standards as per current NCC requirements.

Blue Chip Group Pty Ltd
P: 08 9451 2344
F: 08 9451 8983
E: sales@bluechipgroup.net.au

ULTRABOND Fire Resistant Aluminium Composite Panel (V0919) UB-04-CCF Concealed Cassette Fix



D.04 - HEAD AT SLAB JUNCTION

SCALE 1:2

Disclaimer: These details are general design details for use as a guide. Any use is at the user's own discretion and risk. All detailing and installation should be in accordance with all the relevant codes and standards as per current NCC requirements.

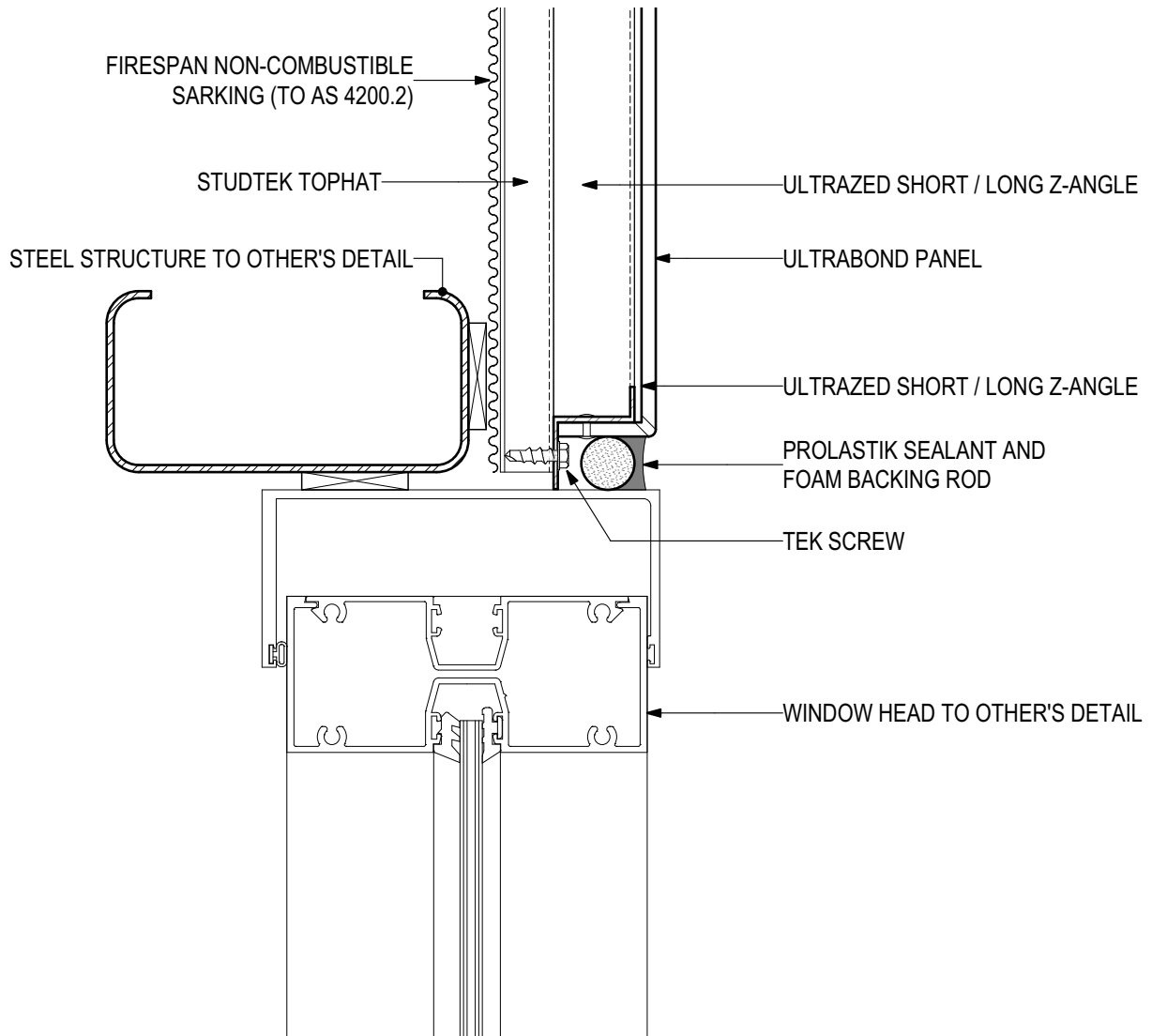
Blue Chip Group Pty Ltd

P: 08 9451 2344

F: 08 9451 8983

E: sales@bluechipgroup.net.au

ULTRABOND Fire Resistant Aluminium Composite Panel (V0919) UB-04-CCF Concealed Cassette Fix



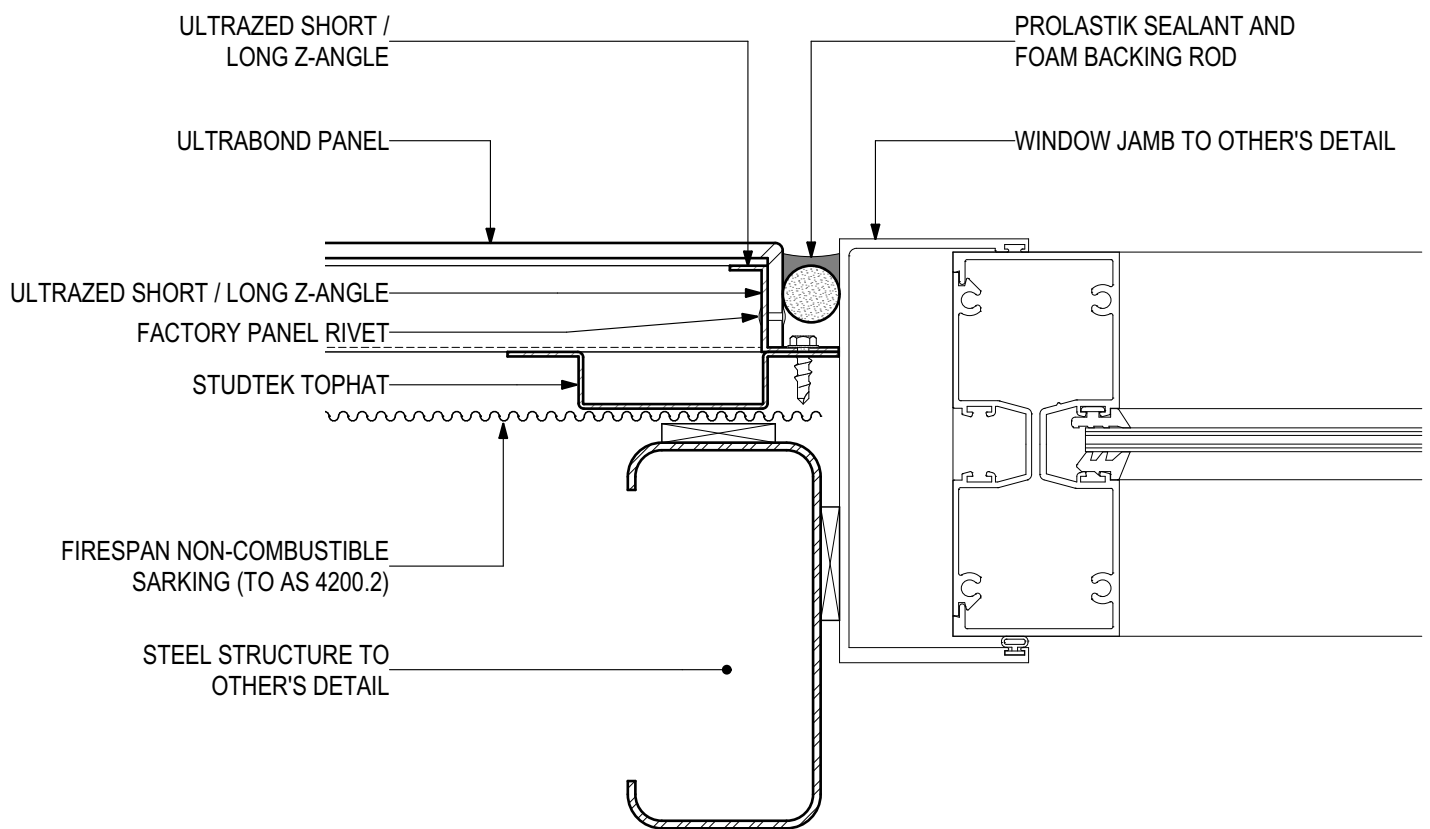
D.05 - WINDOW HEAD

SCALE 1:2

Disclaimer: These details are general design details for use as a guide. Any use is at the user's own discretion and risk. All detailing and installation should be in accordance with all the relevant codes and standards as per current NCC requirements.

Blue Chip Group Pty Ltd
P: 08 9451 2344
F: 08 9451 8983
E: sales@bluechipgroup.net.au

ULTRABOND Fire Resistant Aluminium Composite Panel (V0919) UB-04-CCF Concealed Cassette Fix



D.06 - WINDOW JAMB

SCALE 1:2

Disclaimer: These details are general design details for use as a guide. Any use is at the user's own discretion and risk. All detailing and installation should be in accordance with all the relevant codes and standards as per current NCC requirements.

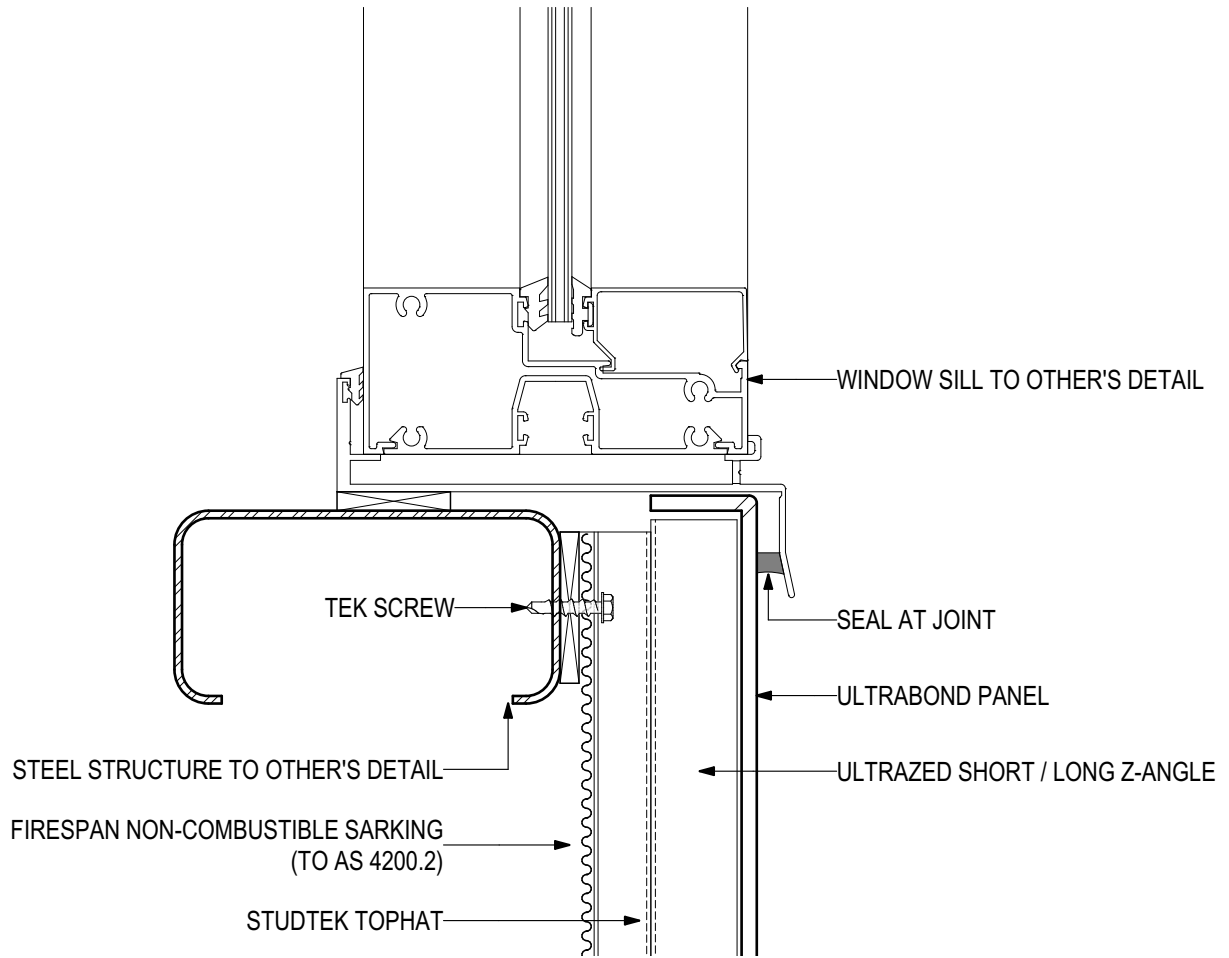
Blue Chip Group Pty Ltd

P: 08 9451 2344

F: 08 9451 8983

E: sales@bluechipgroup.net.au

ULTRABOND Fire Resistant Aluminium Composite Panel (V0919) UB-04-CCF Concealed Cassette Fix



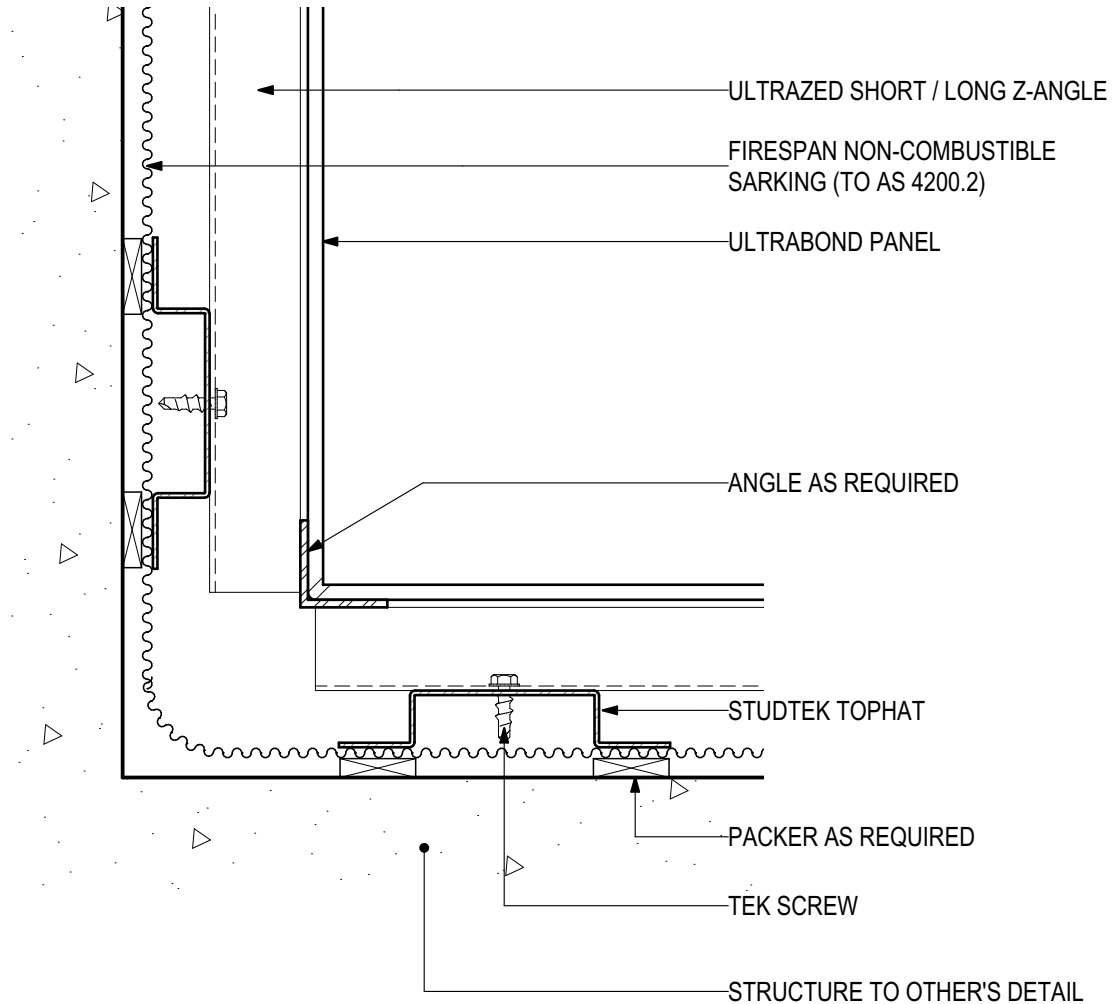
D.07 - WINDOW SILL

SCALE 1:2

Disclaimer: These details are general design details for use as a guide. Any use is at the user's own discretion and risk. All detailing and installation should be in accordance with all the relevant codes and standards as per current NCC requirements.

Blue Chip Group Pty Ltd
P: 08 9451 2344
F: 08 9451 8983
E: sales@bluechipgroup.net.au

ULTRABOND Fire Resistant Aluminium Composite Panel (V0919) UB-04-CCF Concealed Cassette Fix



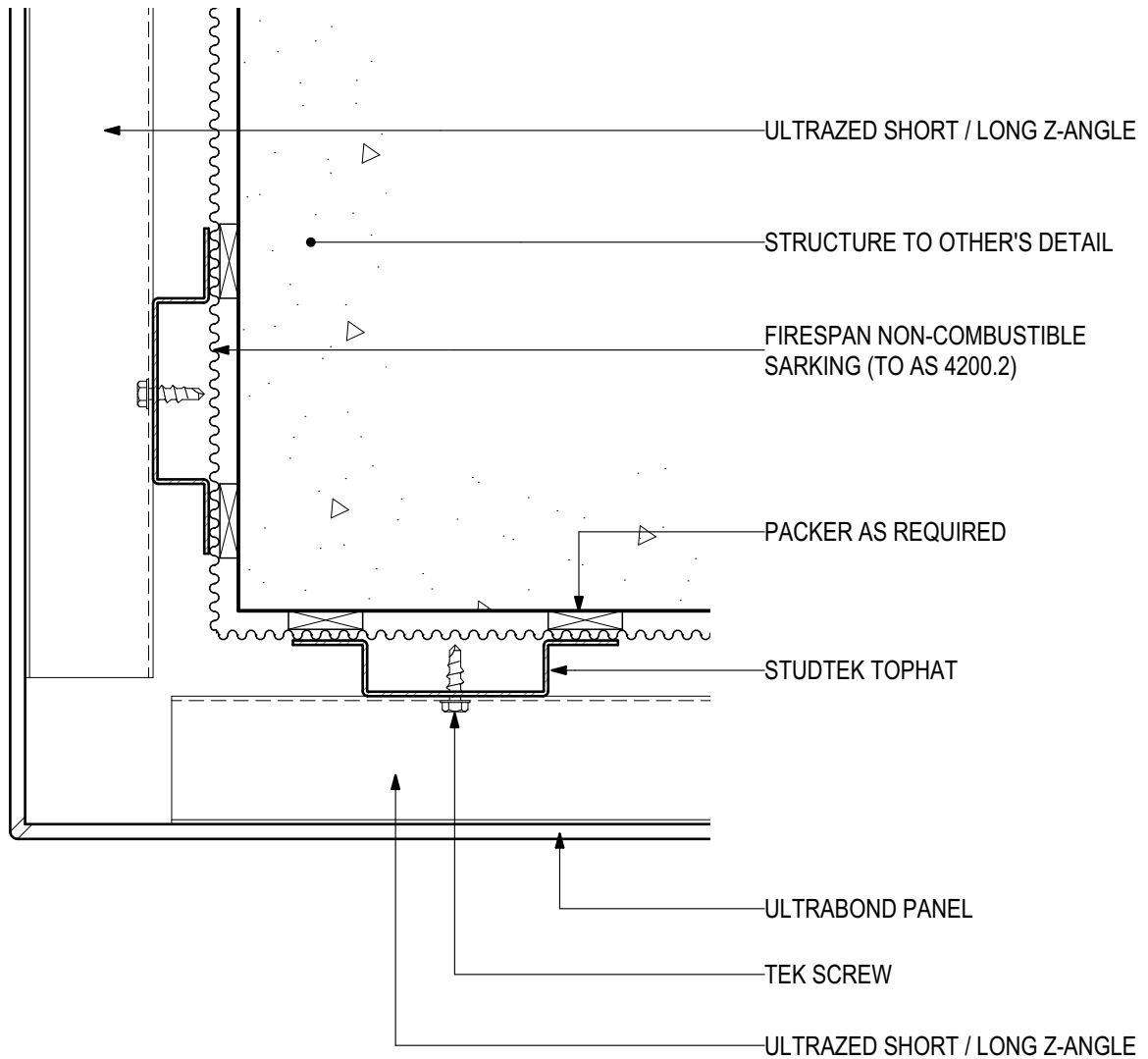
D.08 - INTERNAL CORNER

SCALE 1:2

Disclaimer: These details are general design details for use as a guide. Any use is at the user's own discretion and risk. All detailing and installation should be in accordance with all the relevant codes and standards as per current NCC requirements.

Blue Chip Group Pty Ltd
P: 08 9451 2344
F: 08 9451 8983
E: sales@bluechipgroup.net.au

ULTRABOND Fire Resistant Aluminium Composite Panel (V0919) UB-04-CCF Concealed Cassette Fix



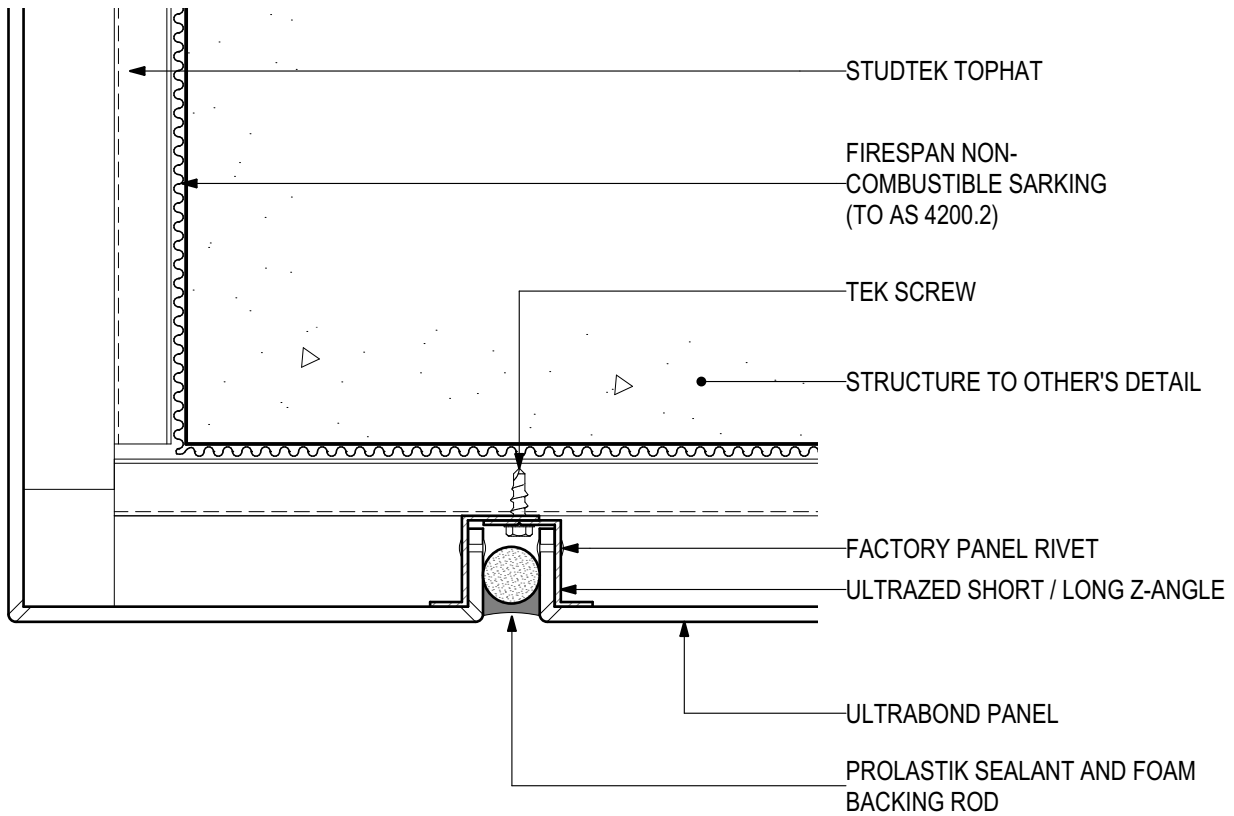
D.09 - EXTERNAL CORNER

SCALE 1:2

Disclaimer: These details are general design details for use as a guide. Any use is at the user's own discretion and risk. All detailing and installation should be in accordance with all the relevant codes and standards as per current NCC requirements.

Blue Chip Group Pty Ltd
P: 08 9451 2344
F: 08 9451 8983
E: sales@bluechipgroup.net.au

ULTRABOND Fire Resistant Aluminium Composite Panel (V0919) UB-04-CCF Concealed Cassette Fix



D.10 - SOFFIT JUNCTION

SCALE 1:2

Disclaimer: These details are general design details for use as a guide. Any use is at the user's own discretion and risk. All detailing and installation should be in accordance with all the relevant codes and standards as per current NCC requirements.

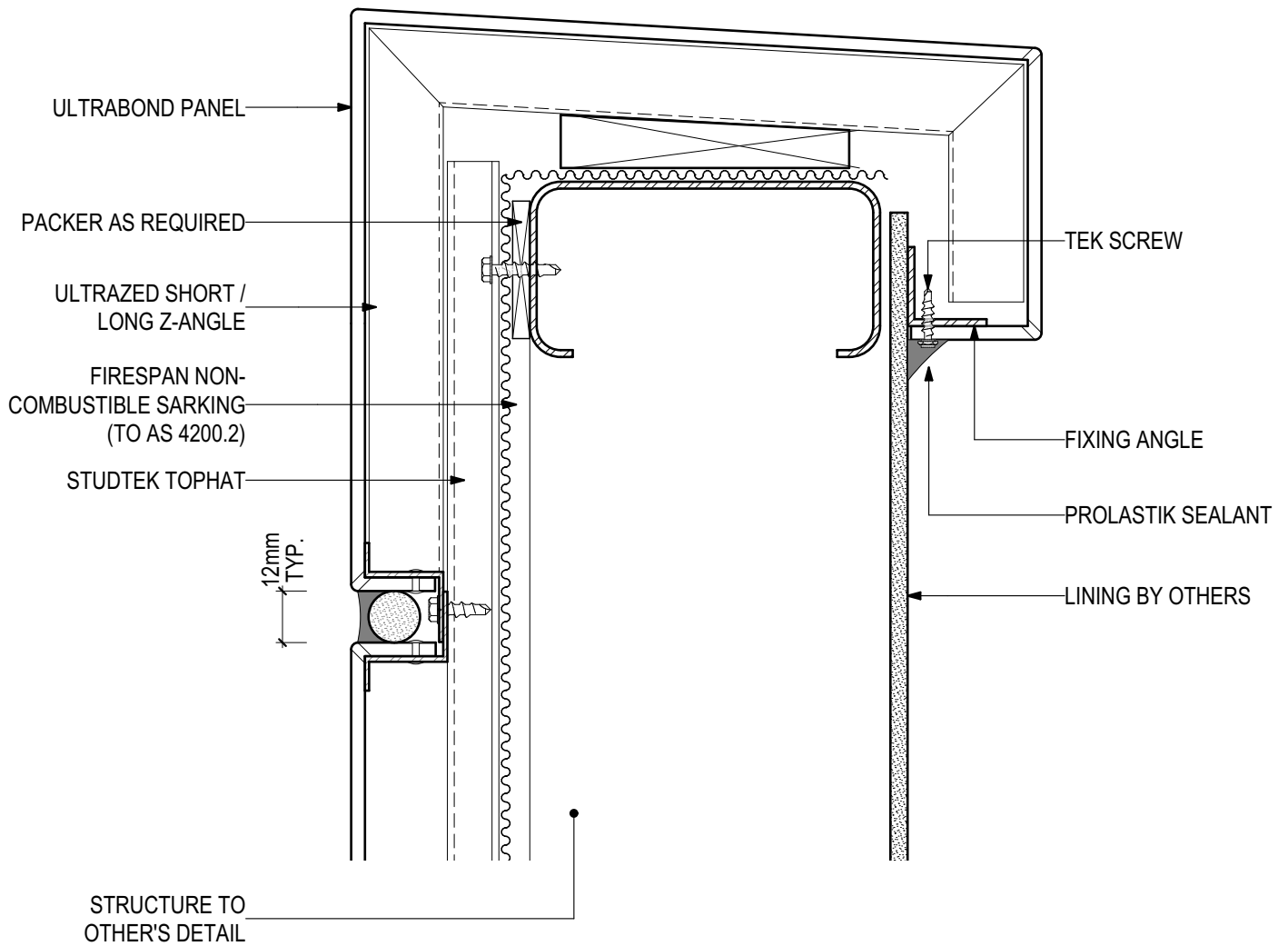
Blue Chip Group Pty Ltd

P: 08 9451 2344

F: 08 9451 8983

E: sales@bluechipgroup.net.au

ULTRABOND Fire Resistant Aluminium Composite Panel (V0919) UB-04-CCF Concealed Cassette Fix



D.11 - PARAPET CAPPING

SCALE 1:2

Disclaimer: These details are general design details for use as a guide. Any use is at the user's own discretion and risk. All detailing and installation should be in accordance with all the relevant codes and standards as per current NCC requirements.

Blue Chip Group Pty Ltd

P: 08 9451 2344

F: 08 9451 8983

E: sales@bluechipgroup.net.au