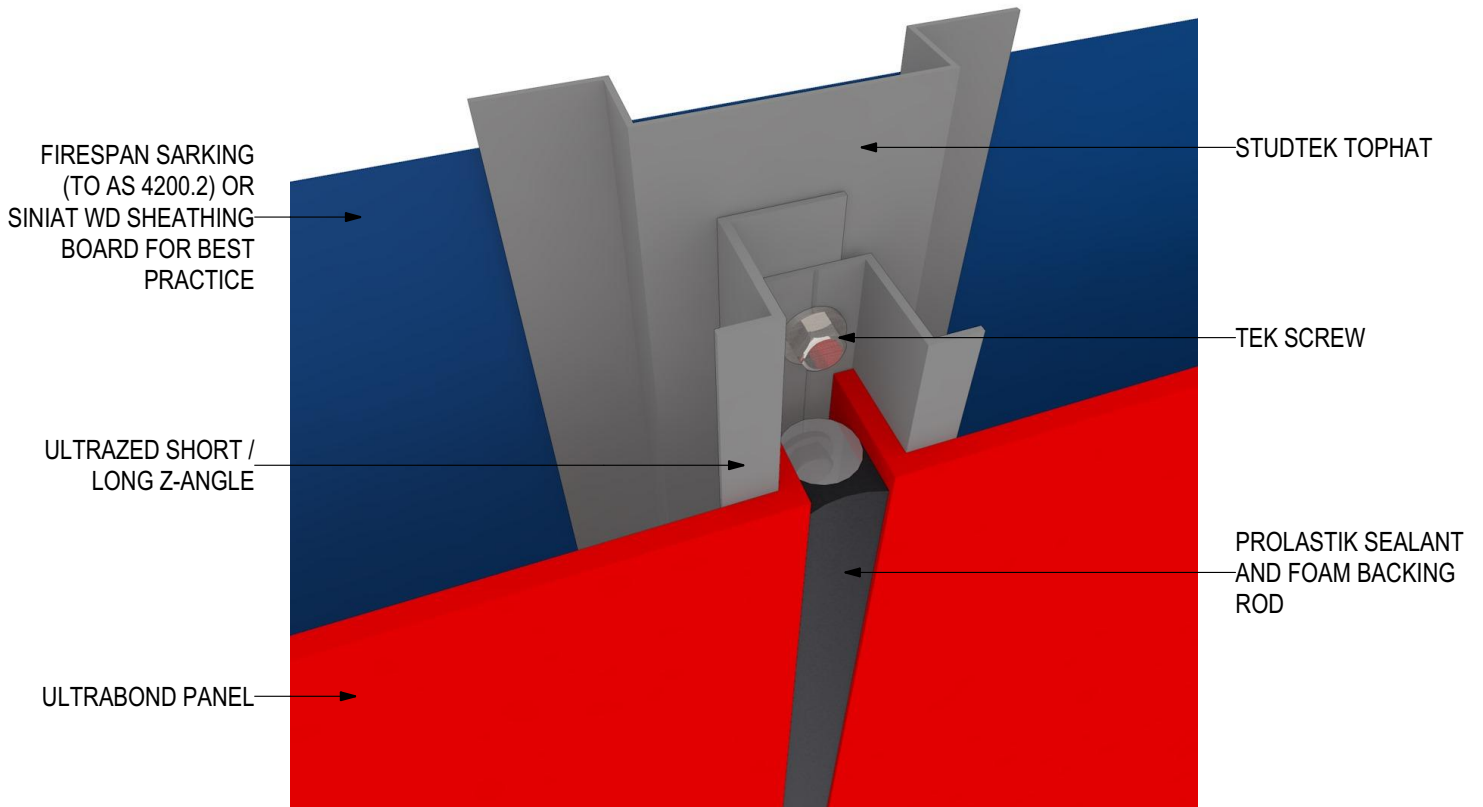


# ULTRABOND Fire Resistant Aluminium Composite Panel (V0920) UB-04-CCF Concealed Cassette Fix

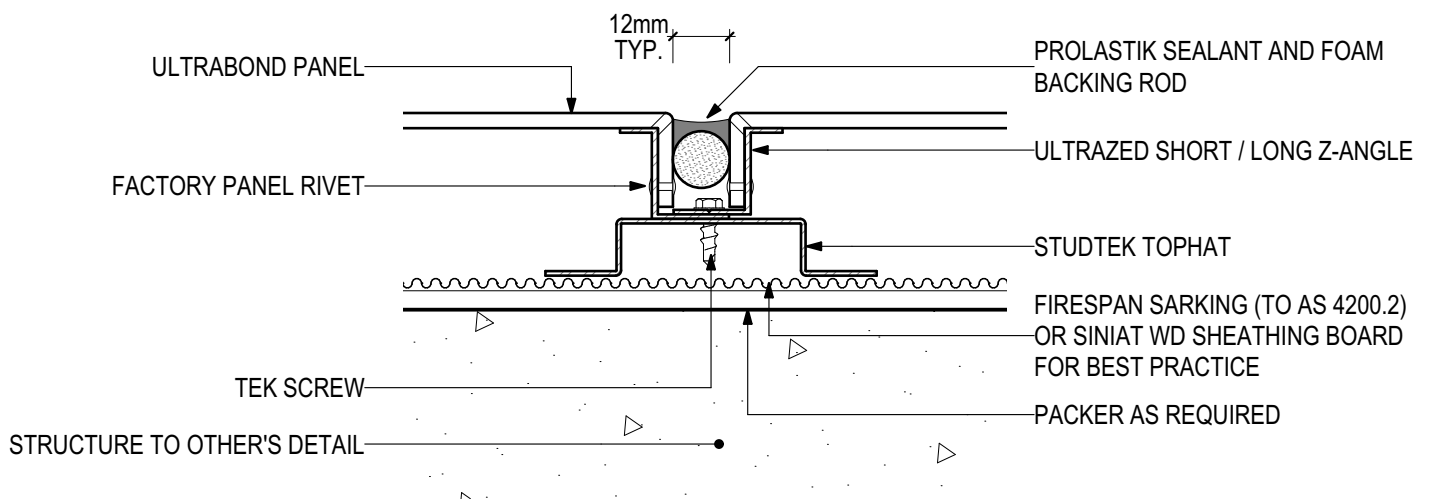


## INSTALLATION DETAILS

Disclaimer: These details are general design details for use as a guide. Any use is at the user's own discretion and risk. All detailing and installation should be in accordance with all the relevant codes and standards as per current NCC requirements.

**Blue Chip Group Pty Ltd**  
1300 945 123  
sales@bluechipgroup.net.au  
www.bluechipgroup.net.au

# ULTRABOND Fire Resistant Aluminium Composite Panel (V0920) UB-04-CCF Concealed Cassette Fix



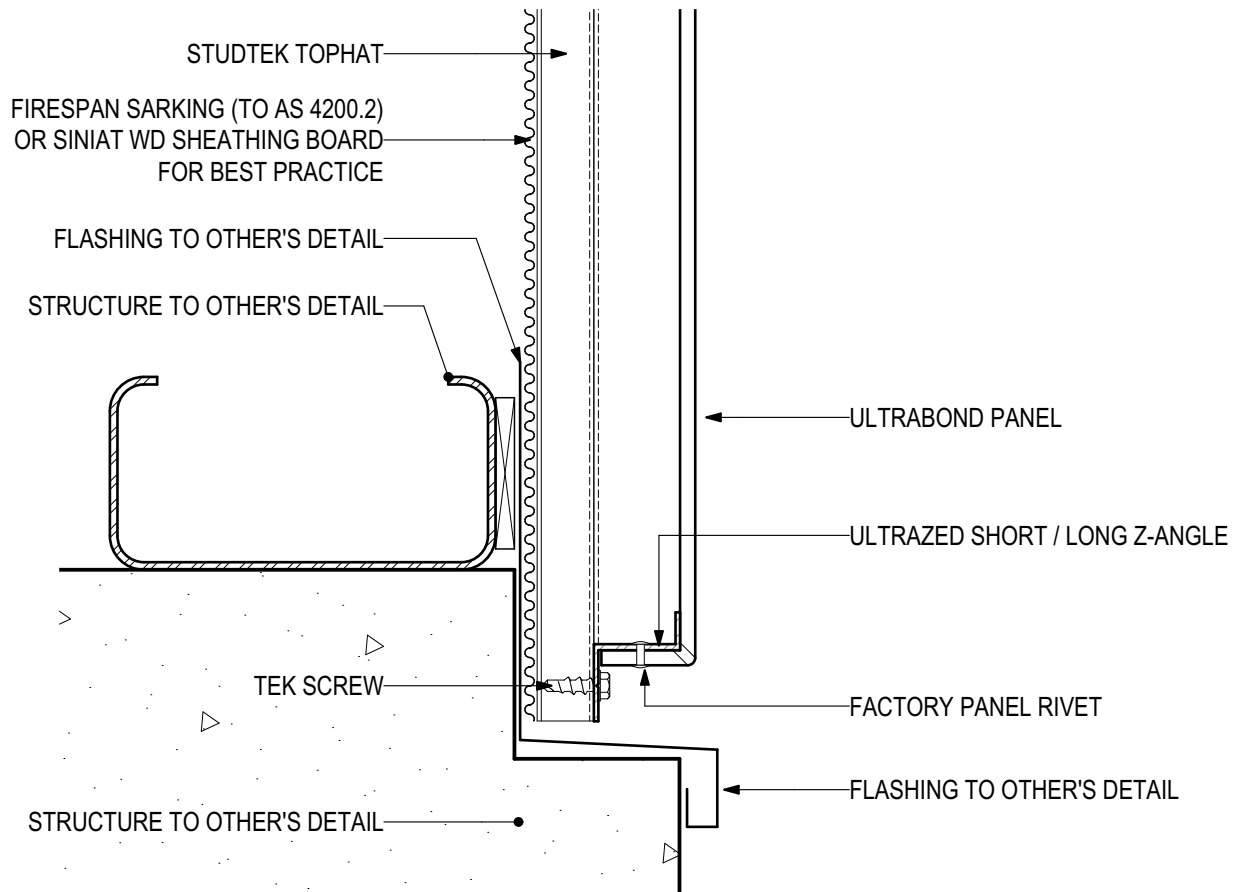
## D.01 - TYPICAL FIXING DETAIL

SCALE 1:2

Disclaimer: These details are general design details for use as a guide. Any use is at the user's own discretion and risk. All detailing and installation should be in accordance with all the relevant codes and standards as per current NCC requirements.

**Blue Chip Group Pty Ltd**  
1300 945 123  
sales@bluechipgroup.net.au  
www.bluechipgroup.net.au

# ULTRABOND Fire Resistant Aluminium Composite Panel (V0920) UB-04-CCF Concealed Cassette Fix



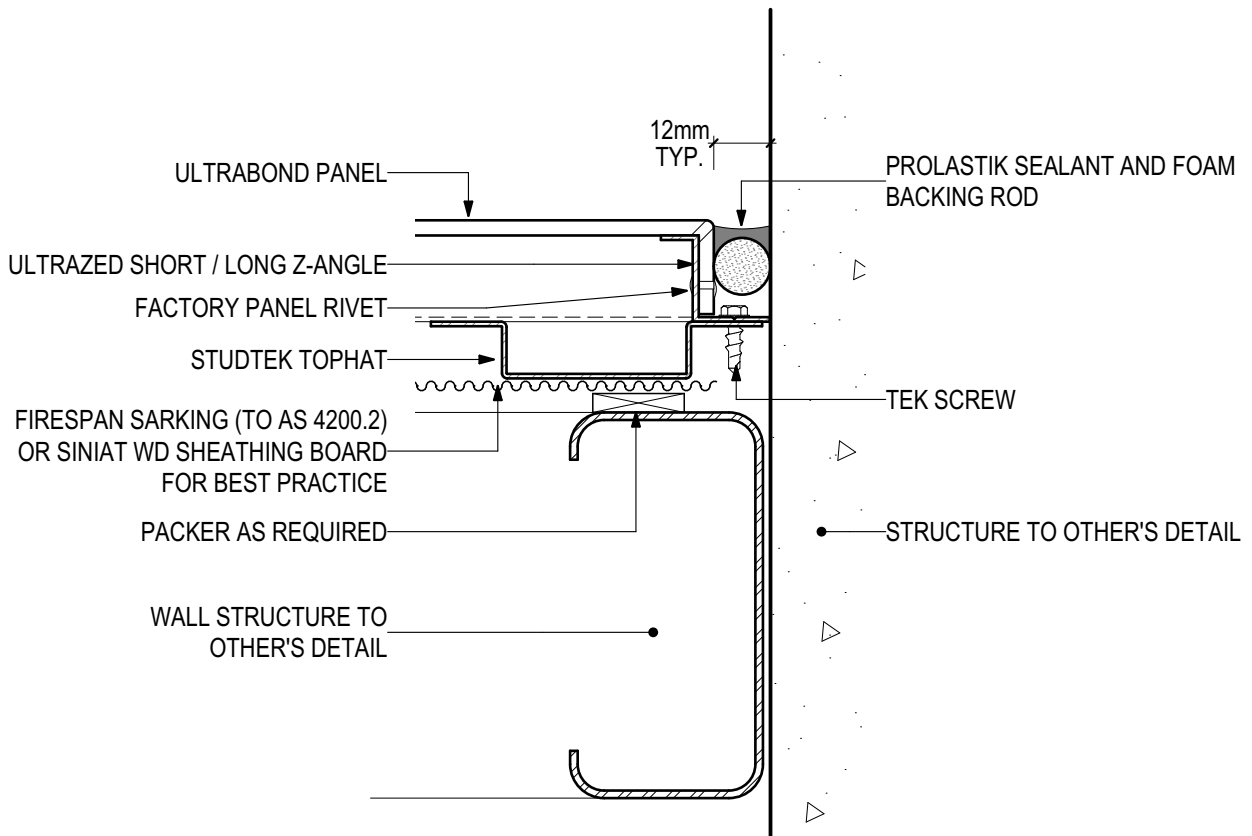
## D.02 - BASE DETAIL

SCALE 1:2

Disclaimer: These details are general design details for use as a guide. Any use is at the user's own discretion and risk. All detailing and installation should be in accordance with all the relevant codes and standards as per current NCC requirements.

**Blue Chip Group Pty Ltd**  
1300 945 123  
sales@bluechipgroup.net.au  
www.bluechipgroup.net.au

# ULTRABOND Fire Resistant Aluminium Composite Panel (V0920) UB-04-CCF Concealed Cassette Fix



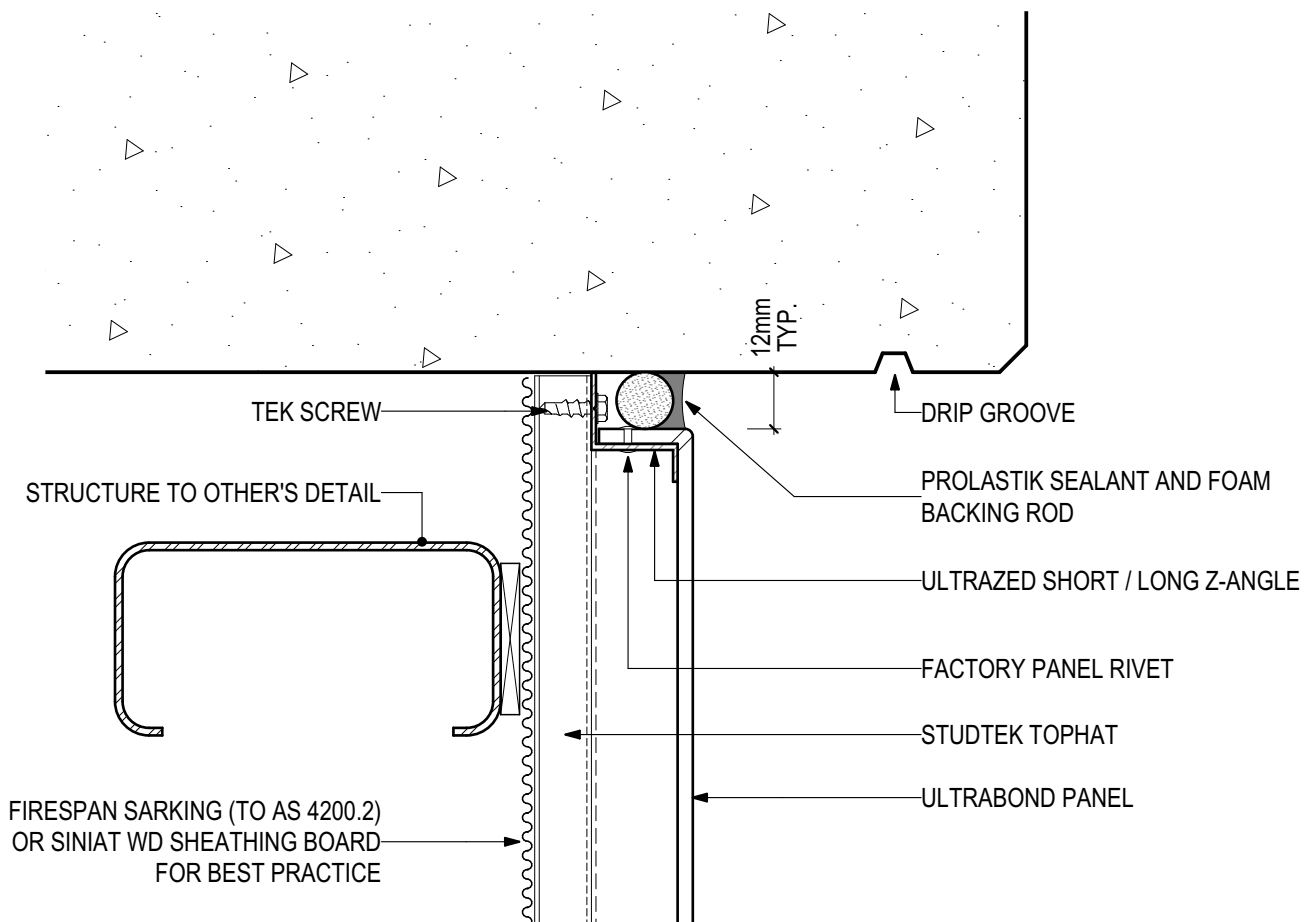
## D.03 - WALL ABUTMENT

SCALE 1:2

Disclaimer: These details are general design details for use as a guide. Any use is at the user's own discretion and risk. All detailing and installation should be in accordance with all the relevant codes and standards as per current NCC requirements.

**Blue Chip Group Pty Ltd**  
1300 945 123  
sales@bluechipgroup.net.au  
www.bluechipgroup.net.au

# ULTRABOND Fire Resistant Aluminium Composite Panel (V0920) UB-04-CCF Concealed Cassette Fix



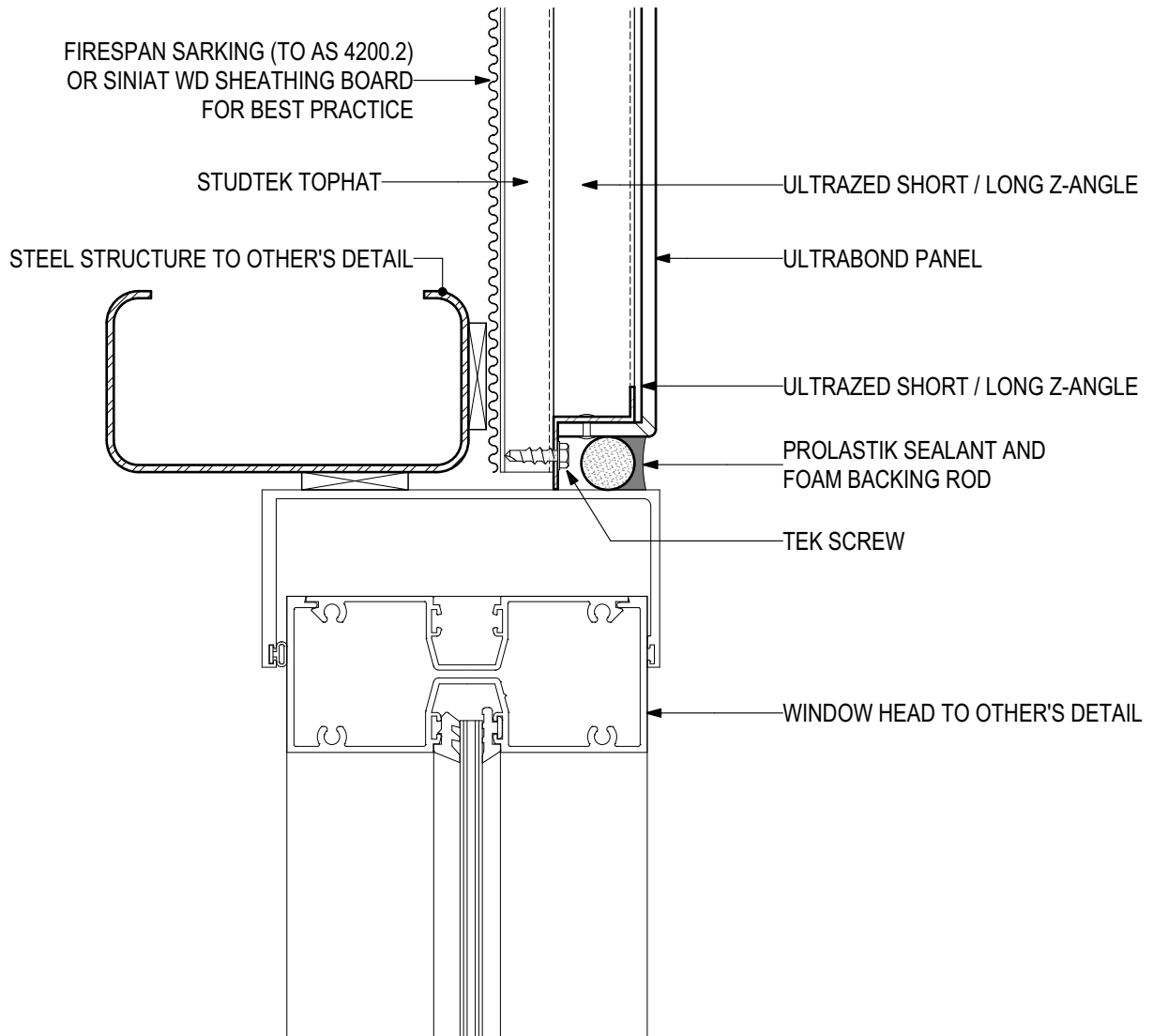
## D.04 - HEAD AT SLAB JUNCTION

SCALE 1:2

Disclaimer: These details are general design details for use as a guide. Any use is at the user's own discretion and risk. All detailing and installation should be in accordance with all the relevant codes and standards as per current NCC requirements.

**Blue Chip Group Pty Ltd**  
1300 945 123  
sales@bluechipgroup.net.au  
www.bluechipgroup.net.au

# ULTRABOND Fire Resistant Aluminium Composite Panel (V0920) UB-04-CCF Concealed Cassette Fix



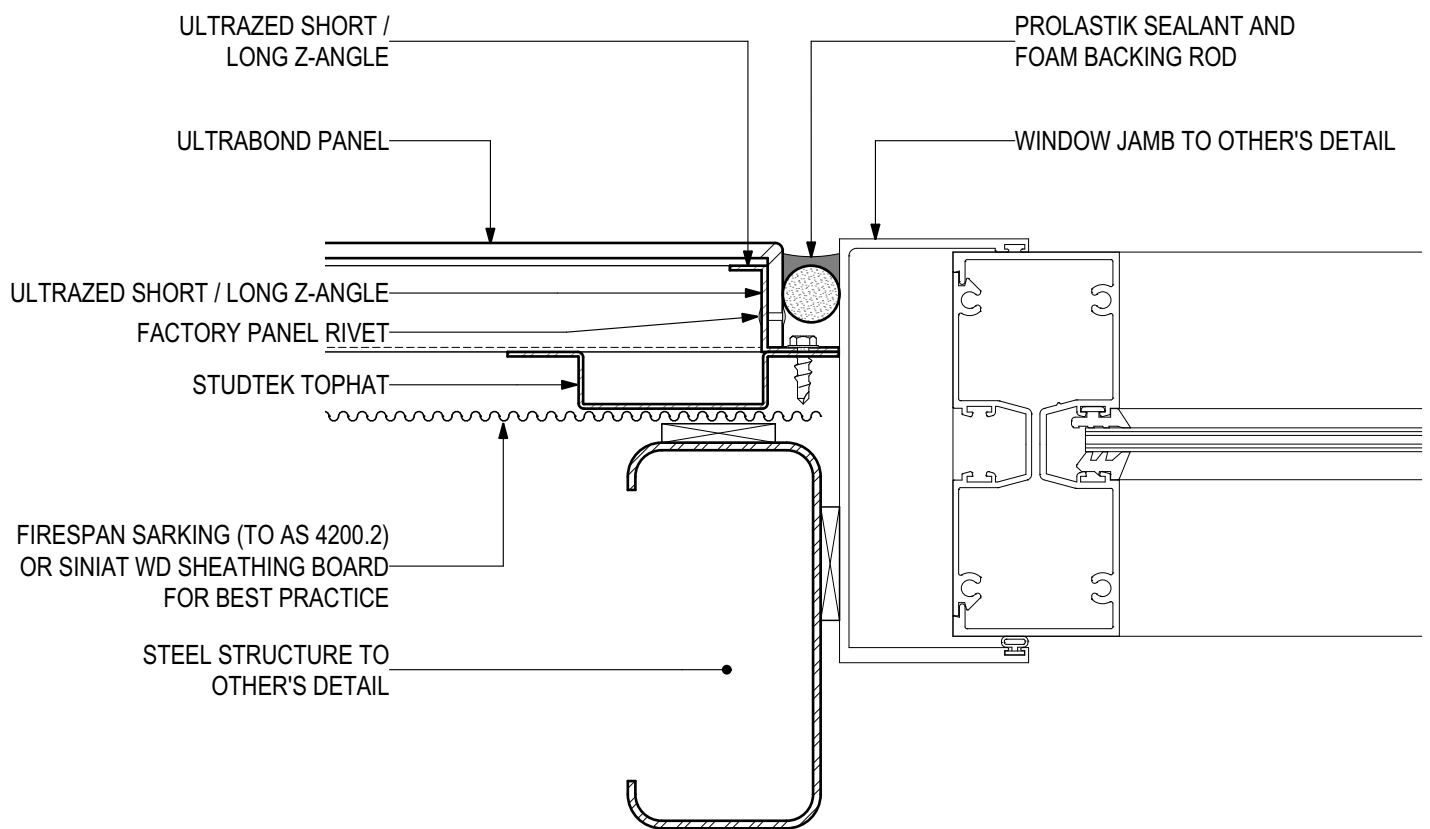
## D.05 - WINDOW HEAD

SCALE 1:2

Disclaimer: These details are general design details for use as a guide. Any use is at the user's own discretion and risk. All detailing and installation should be in accordance with all the relevant codes and standards as per current NCC requirements.

**Blue Chip Group Pty Ltd**  
1300 945 123  
sales@bluechipgroup.net.au  
www.bluechipgroup.net.au

# ULTRABOND Fire Resistant Aluminium Composite Panel (V0920) UB-04-CCF Concealed Cassette Fix



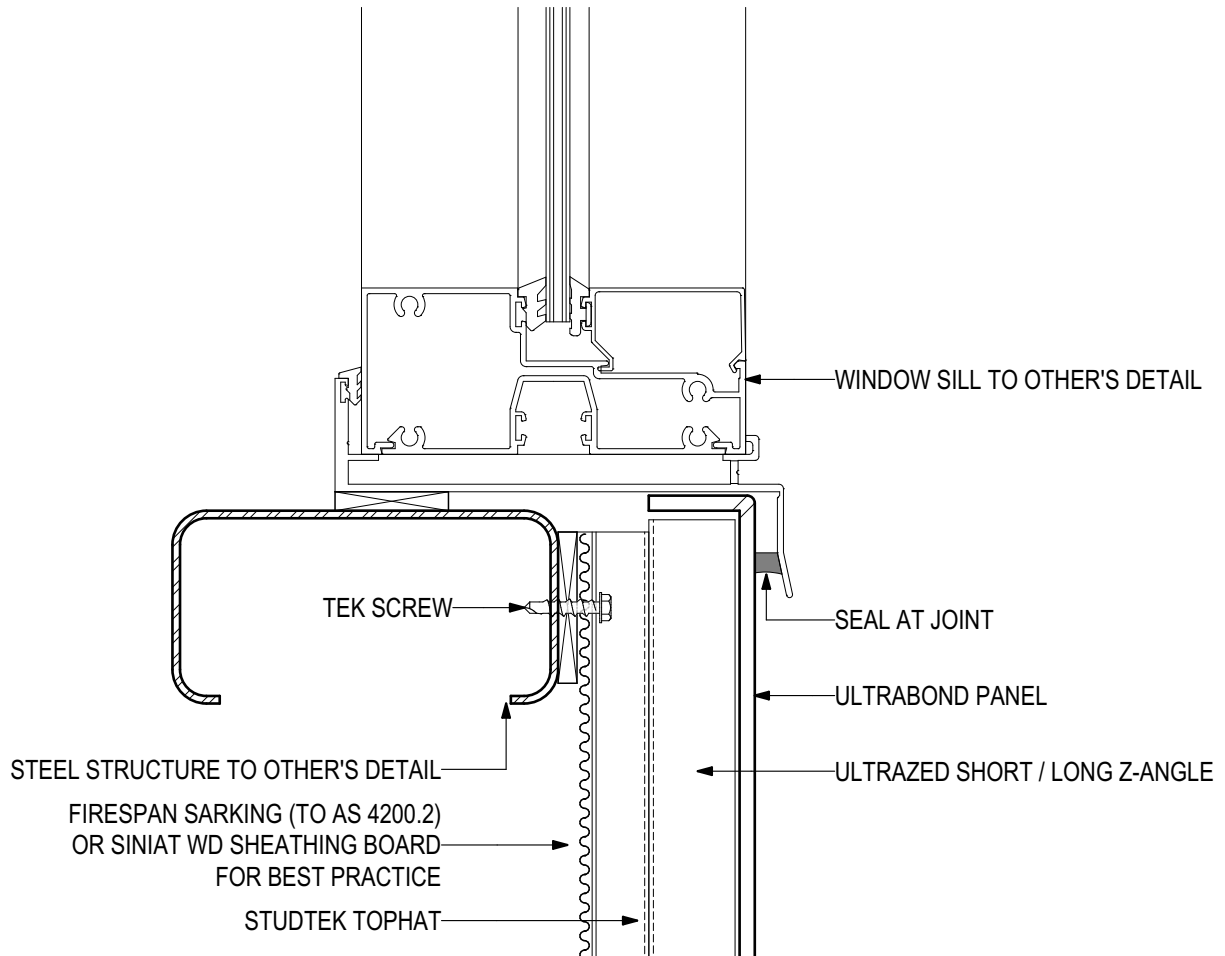
## D.06 - WINDOW JAMB

SCALE 1:2

Disclaimer: These details are general design details for use as a guide. Any use is at the user's own discretion and risk. All detailing and installation should be in accordance with all the relevant codes and standards as per current NCC requirements.

**Blue Chip Group Pty Ltd**  
1300 945 123  
sales@bluechipgroup.net.au  
www.bluechipgroup.net.au

# ULTRABOND Fire Resistant Aluminium Composite Panel (V0920) UB-04-CCF Concealed Cassette Fix



## D.07 - WINDOW SILL

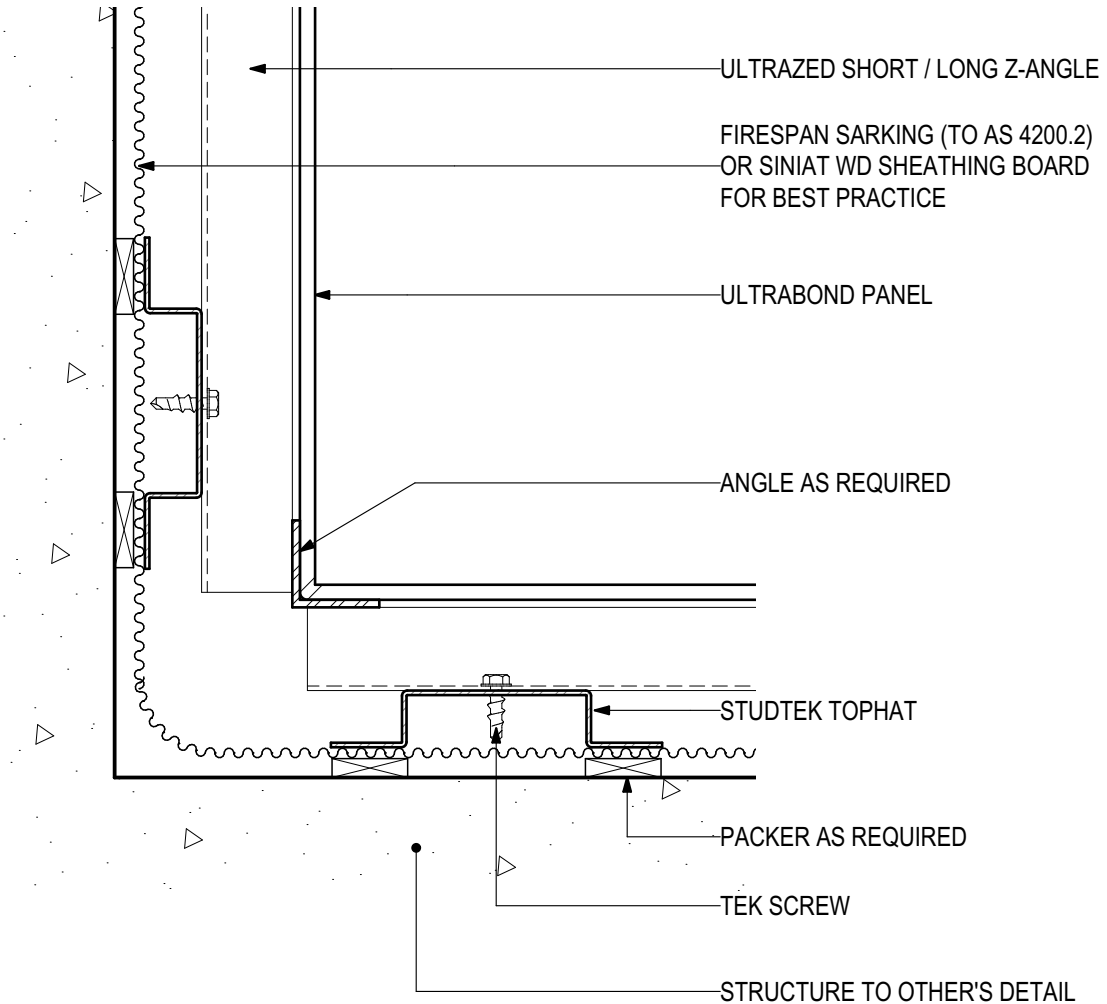
SCALE 1:2

Disclaimer: These details are general design details for use as a guide. Any use is at the user's own discretion and risk. All detailing and installation should be in accordance with all the relevant codes and standards as per current NCC requirements.

**Blue Chip Group Pty Ltd**  
1300 945 123  
sales@bluechipgroup.net.au  
www.bluechipgroup.net.au



# ULTRABOND Fire Resistant Aluminium Composite Panel (V0920) UB-04-CCF Concealed Cassette Fix



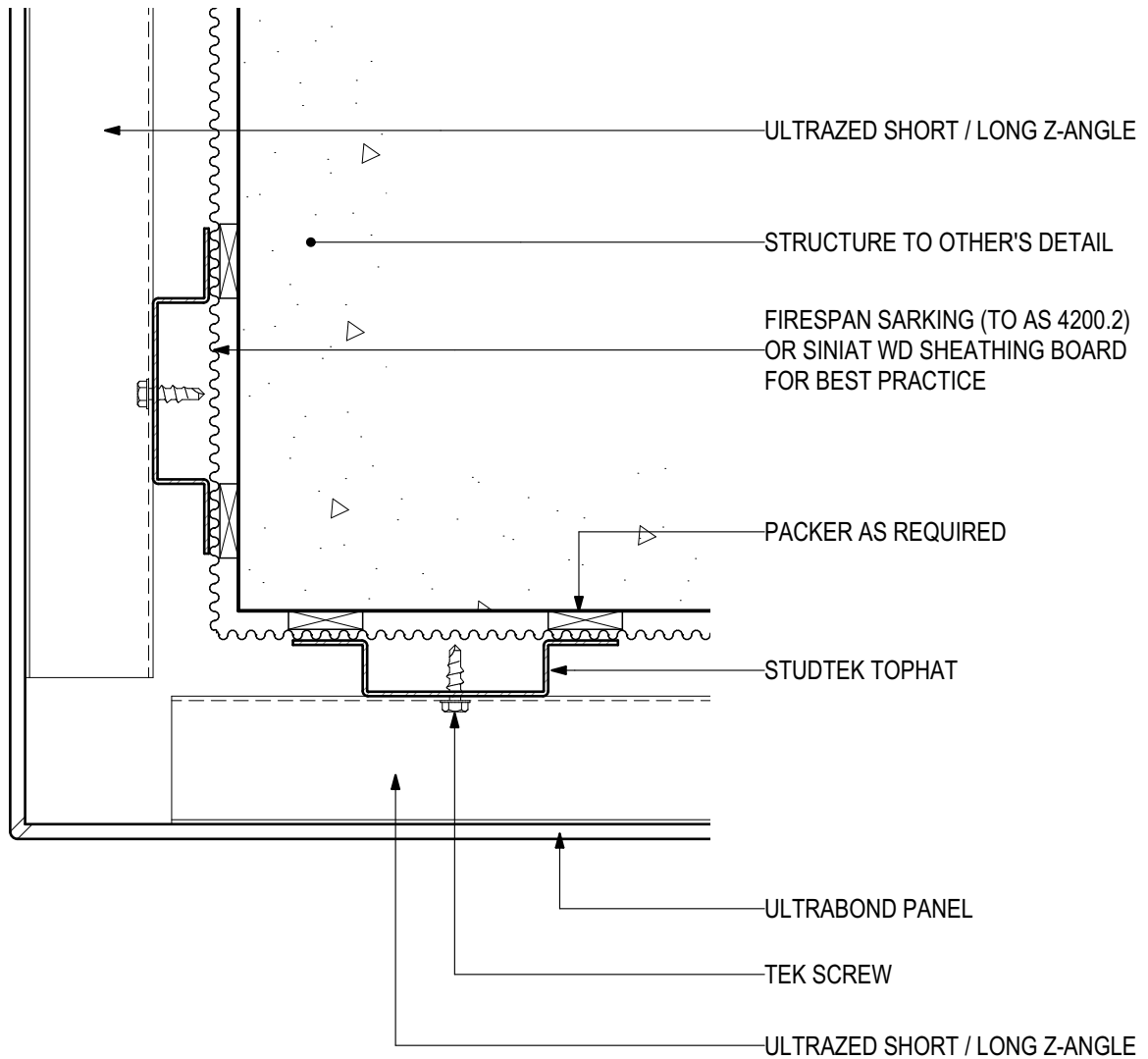
## D.08 - INTERNAL CORNER

SCALE 1:2

Disclaimer: These details are general design details for use as a guide. Any use is at the user's own discretion and risk. All detailing and installation should be in accordance with all the relevant codes and standards as per current NCC requirements.

**Blue Chip Group Pty Ltd**  
1300 945 123  
sales@bluechipgroup.net.au  
www.bluechipgroup.net.au

# ULTRABOND Fire Resistant Aluminium Composite Panel (V0920) UB-04-CCF Concealed Cassette Fix



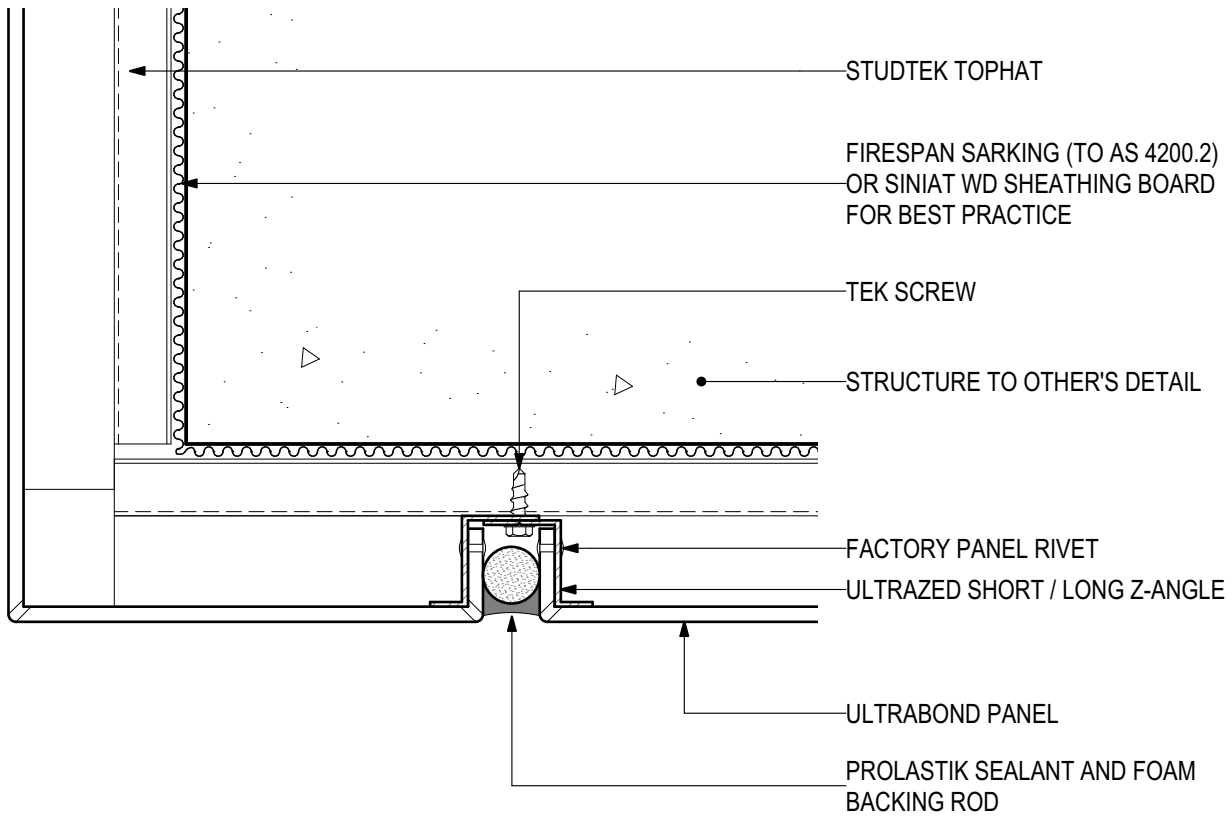
## D.09 - EXTERNAL CORNER

SCALE 1:2

Disclaimer: These details are general design details for use as a guide. Any use is at the user's own discretion and risk. All detailing and installation should be in accordance with all the relevant codes and standards as per current NCC requirements.

**Blue Chip Group Pty Ltd**  
1300 945 123  
sales@bluechipgroup.net.au  
www.bluechipgroup.net.au

# ULTRABOND Fire Resistant Aluminium Composite Panel (V0920) UB-04-CCF Concealed Cassette Fix



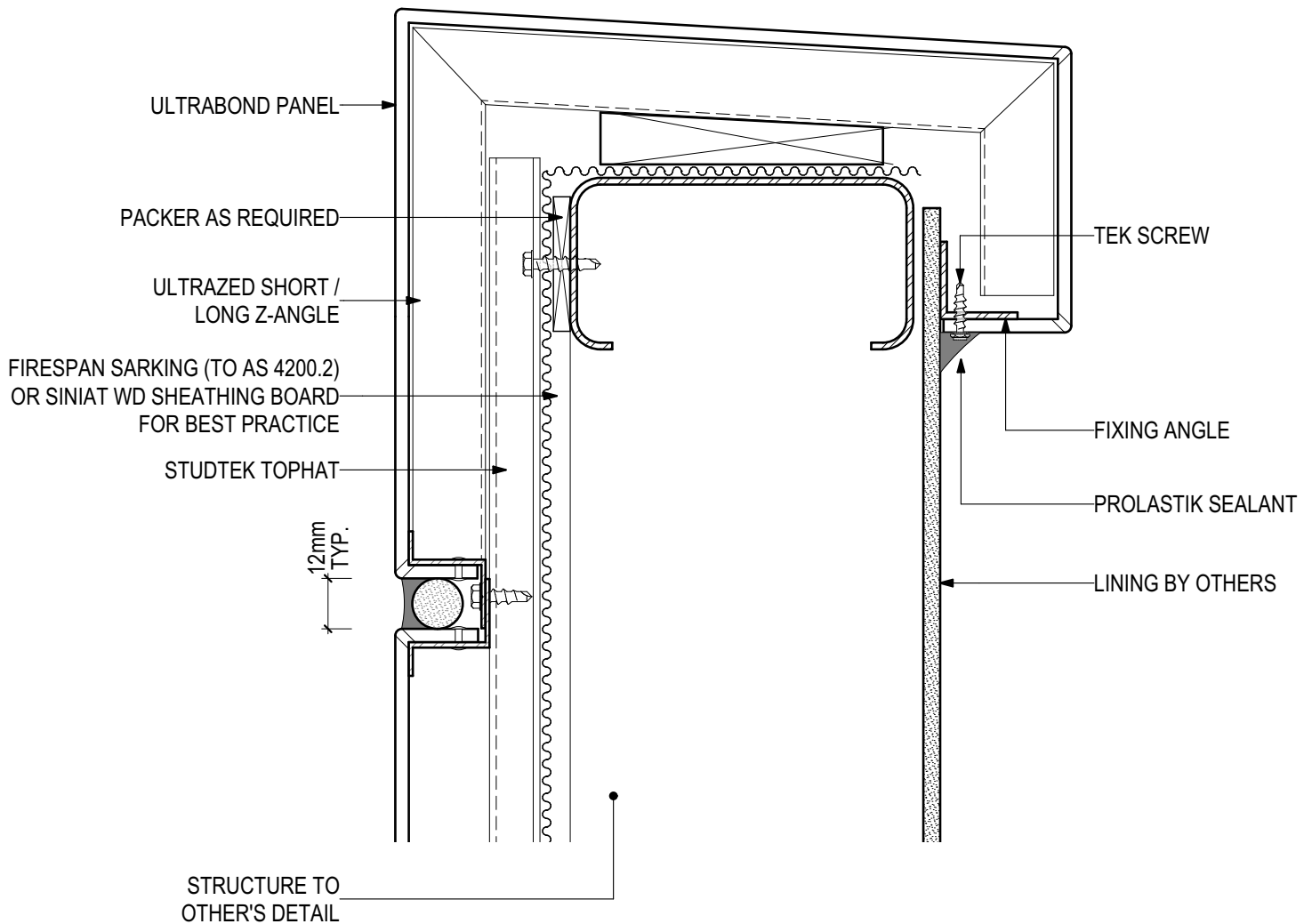
## D.10 - SOFFIT JUNCTION

SCALE 1:2

Disclaimer: These details are general design details for use as a guide. Any use is at the user's own discretion and risk. All detailing and installation should be in accordance with all the relevant codes and standards as per current NCC requirements.

**Blue Chip Group Pty Ltd**  
1300 945 123  
sales@bluechipgroup.net.au  
www.bluechipgroup.net.au

# ULTRABOND Fire Resistant Aluminium Composite Panel (V0920) UB-04-CCF Concealed Cassette Fix



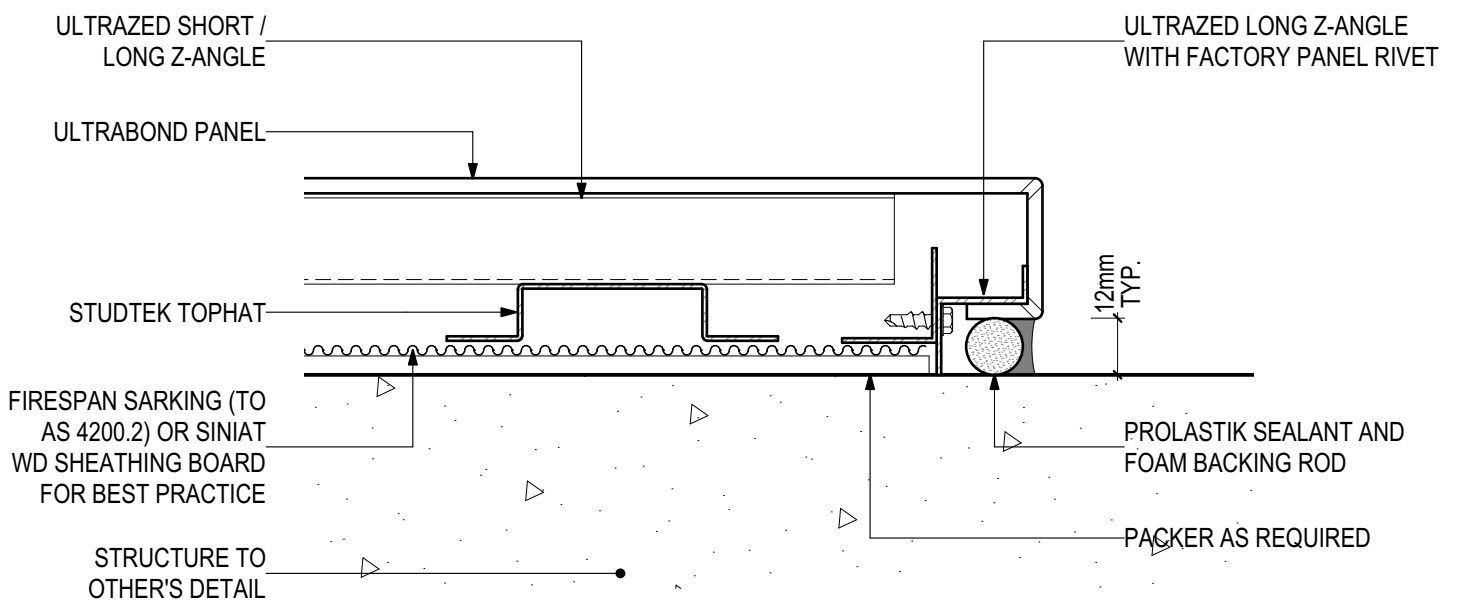
## D.11 - PARAPET CAPPING

SCALE 1:2

Disclaimer: These details are general design details for use as a guide. Any use is at the user's own discretion and risk. All detailing and installation should be in accordance with all the relevant codes and standards as per current NCC requirements.

**Blue Chip Group Pty Ltd**  
1300 945 123  
sales@bluechipgroup.net.au  
www.bluechipgroup.net.au

# ULTRABOND Fire Resistant Aluminium Composite Panel (V0920) UB-04-CCF Concealed Cassette Fix



## D.12 - CLOSE-OUT DETAIL

SCALE 1:2

Disclaimer: These details are general design details for use as a guide. Any use is at the user's own discretion and risk. All detailing and installation should be in accordance with all the relevant codes and standards as per current NCC requirements.

**Blue Chip Group Pty Ltd**  
1300 945 123  
sales@bluechipgroup.net.au  
www.bluechipgroup.net.au