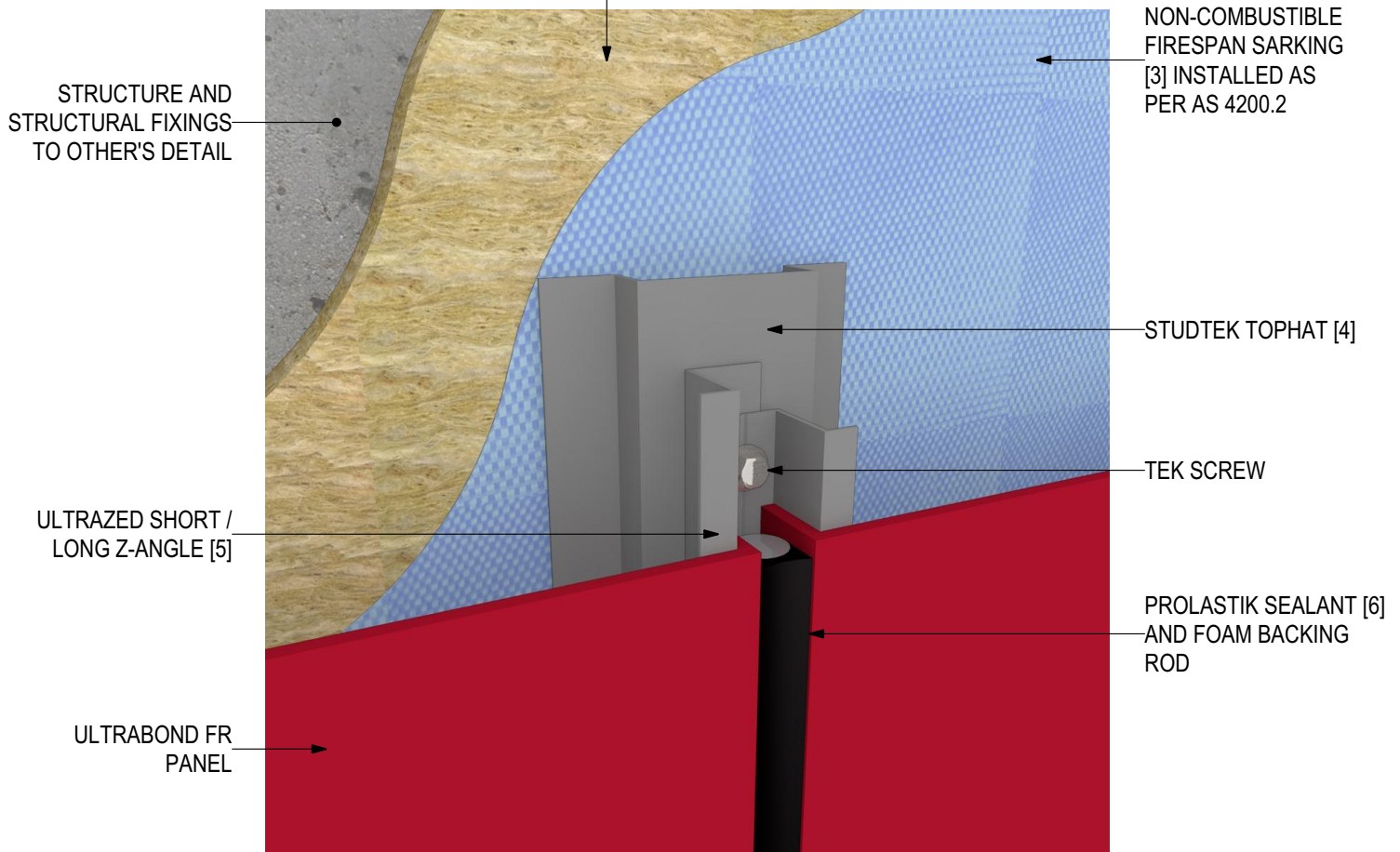


## INSTALLATION DETAILS

### ULTRABOND FR Fire Resistant Aluminium Composite Panel (V1022)

OPTIONAL EXTERIOR INSULATION ZONE WITH BICEP FACADE SYSTEM [1] AND NON-COMBUSTIBLE IROCK INSULATION [2] (SEE SEPERATE DETAILS)



## SYSTEM COMPONENTS

BICEP FACADE SYSTEM [1]



IROCK INSULATION [2]



FIRESpan SARKING [3]



STUDEK TOPHAT [4]



ULTRAZED Z-ANGLES [5]

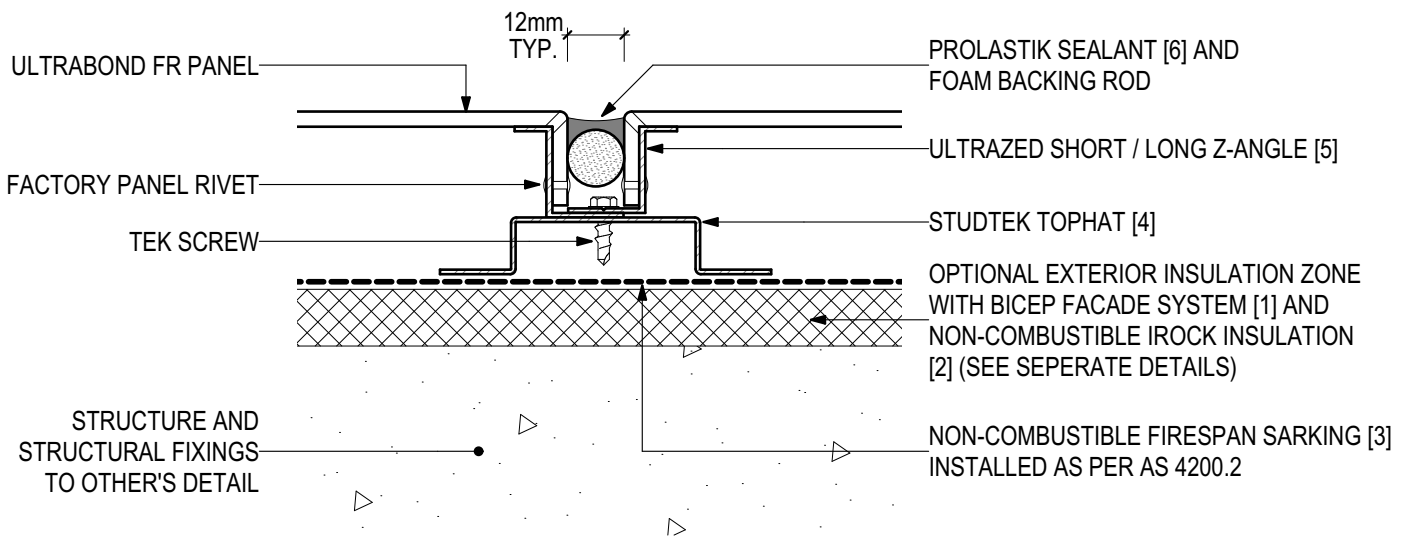


PROLASTIK SEALANT [6]





**D.01 - TYPICAL FIXING DETAIL (SCALE 1:2)**  
ULTRABOND FR Fire Resistant Aluminium Composite Panel (V1022)



**SYSTEM COMPONENTS**

BICEP FACADE SYSTEM [1]



IROCK INSULATION [2]



FIRESAN SARKING [3]



STUDTEK TOPHAT [4]



ULTRAZED Z-ANGLES [5]



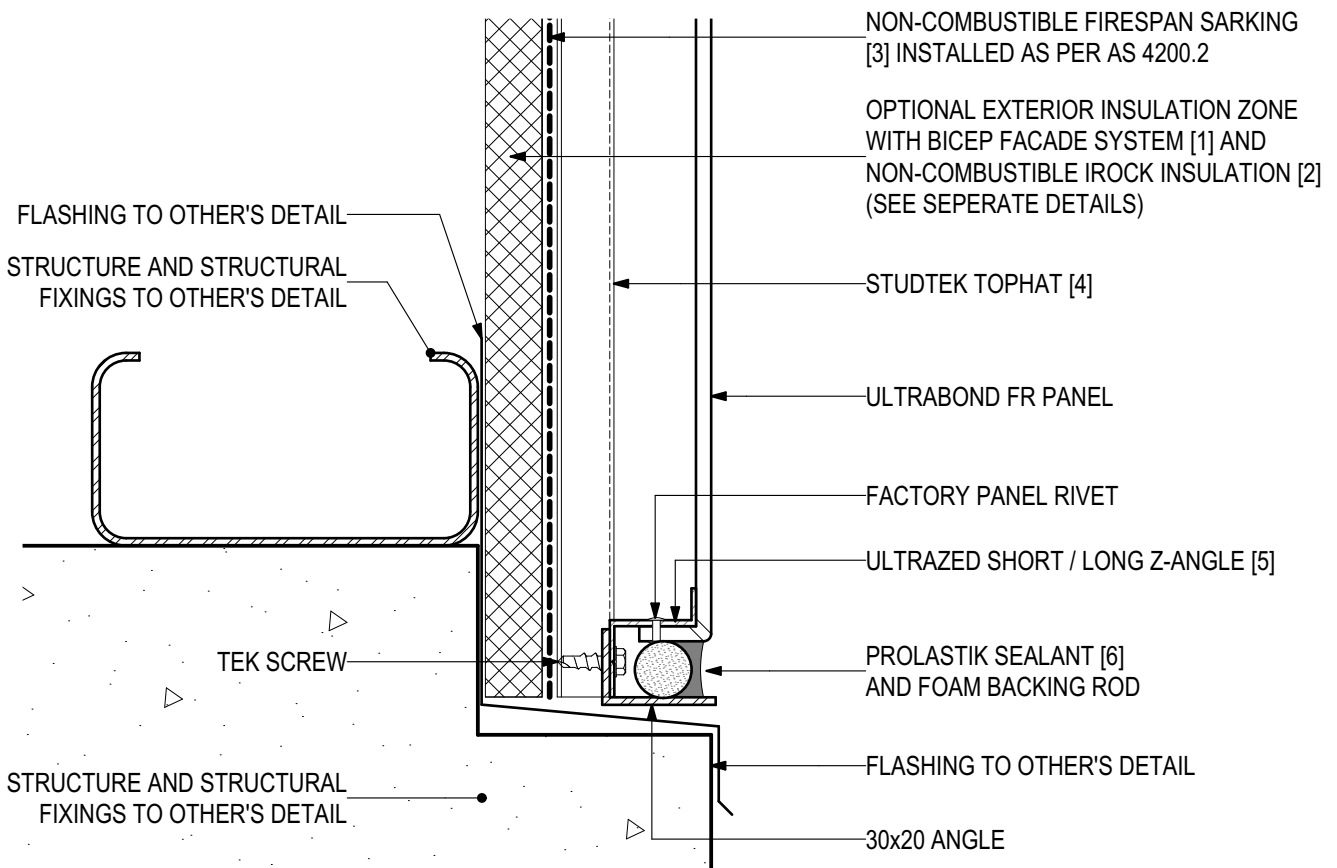
PROLASTIK SEALANT [6]





**D.02 - BASE DETAIL (SCALE 1:2)**

**ULTRABOND FR Fire Resistant Aluminium Composite Panel (V1022)**



**SYSTEM COMPONENTS**

BICEP FACADE SYSTEM [1]



IROCK INSULATION [2]



FIRESPAN SARKING [3]



STUDTEK TOPHAT [4]



ULTRAZED Z-ANGLES [5]

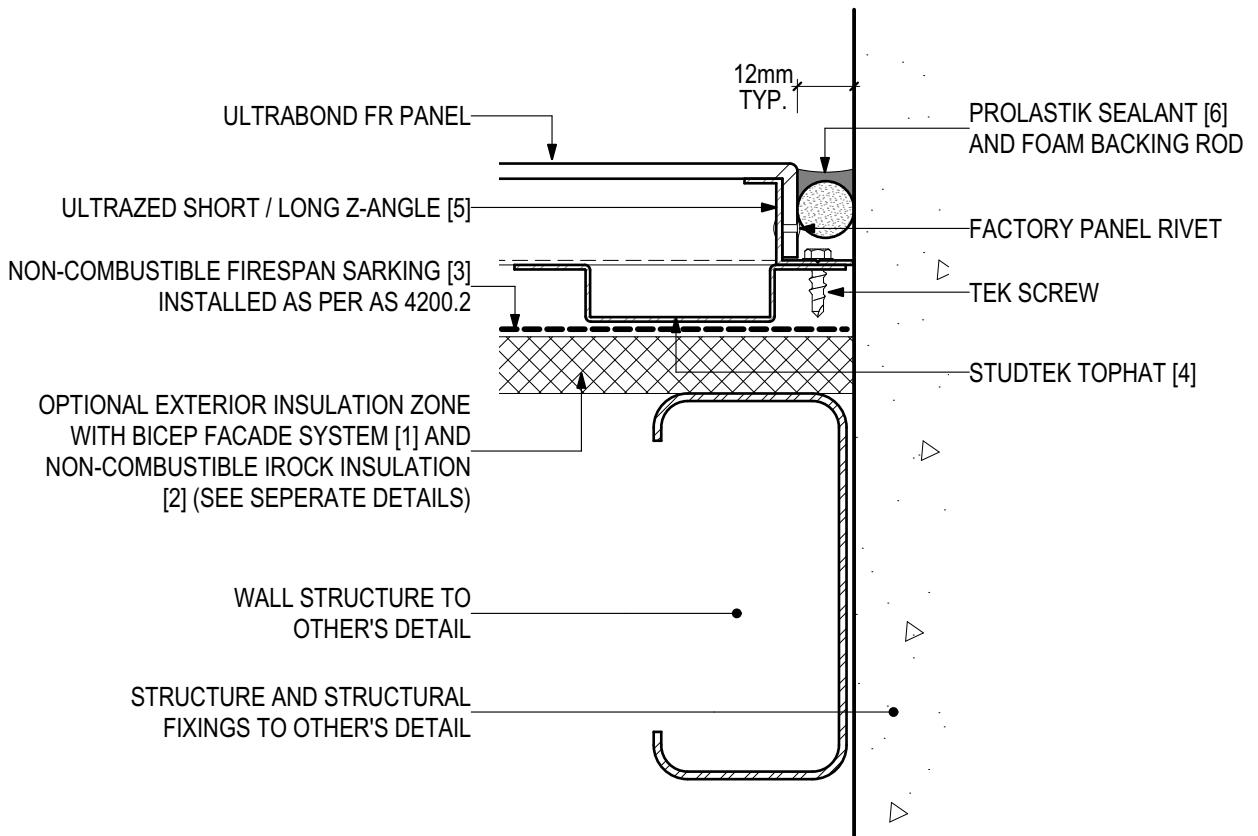


PROLASTIK SEALANT [6]





**D.03 - WALL ABUTMENT (SCALE 1:2)**  
ULTRABOND FR Fire Resistant Aluminium Composite Panel (V1022)



**SYSTEM COMPONENTS**

BICEP FACADE  
SYSTEM [1]



IROCK  
INSULATION [2]



FIRESPAN  
SARKING [3]



STUDTEK  
TOPHAT [4]



ULTRAZED  
Z-ANGLES [5]

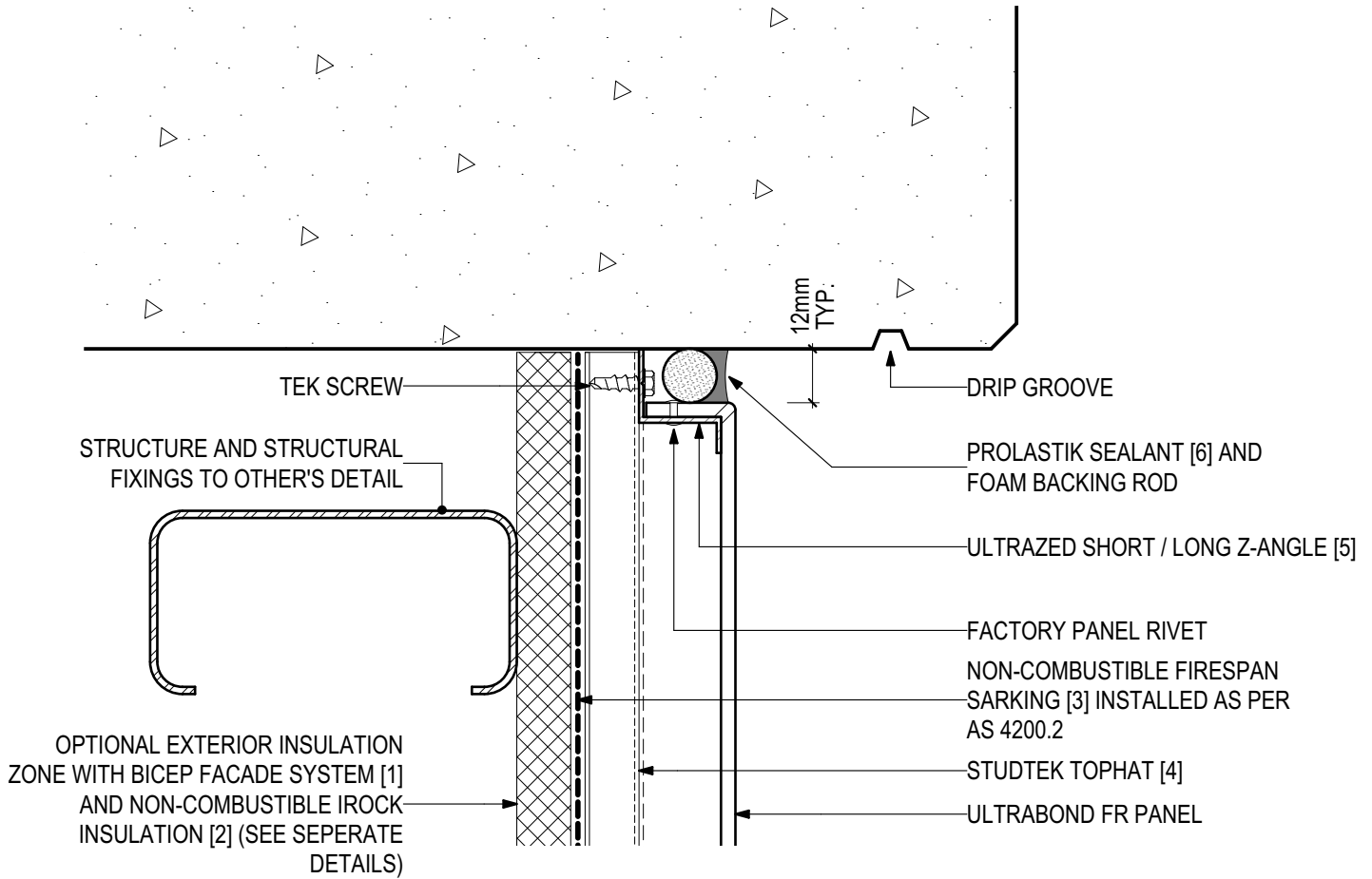


PROLASTIK  
SEALANT [6]





**D.04 - HEAD AT SLAB JUNCTION (SCALE 1:2)**  
ULTRABOND FR Fire Resistant Aluminium Composite Panel (V1022)



**SYSTEM COMPONENTS**

BICEP FACADE SYSTEM [1]



IROCK INSULATION [2]



FIRESPAN SARKING [3]



STUDTEK TOPHAT [4]



ULTRAZED Z-ANGLES [5]



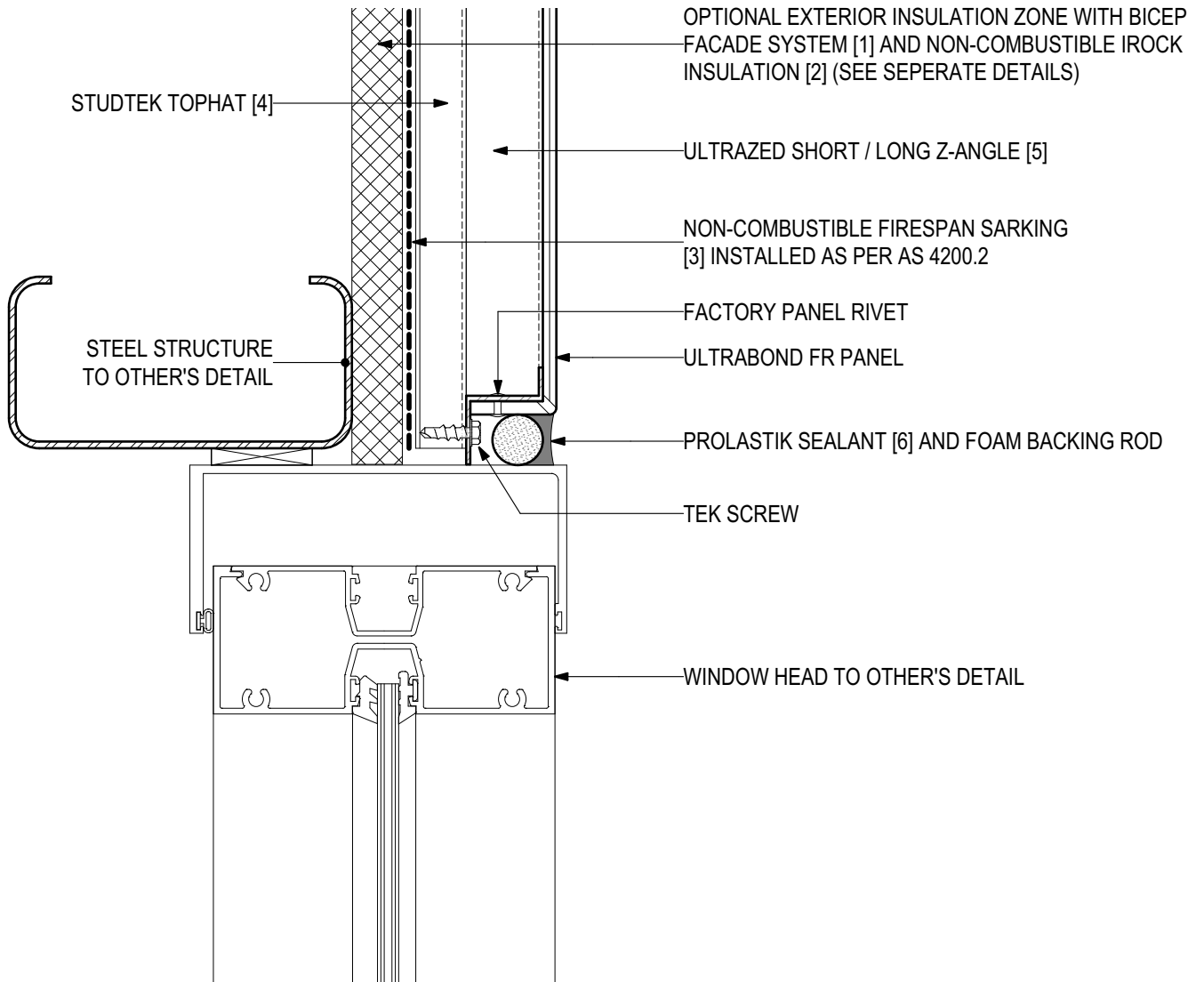
PROLASTIK SEALANT [6]





**D.05 - WINDOW HEAD (SCALE 1:2)**

**ULTRABOND FR Fire Resistant Aluminium Composite Panel (V1022)**



**SYSTEM COMPONENTS**

BICEP FACADE SYSTEM [1]



IROCK INSULATION [2]



FIRESPAN SARKING [3]



STUDTEK TOPHAT [4]



ULTRAZED Z-ANGLES [5]



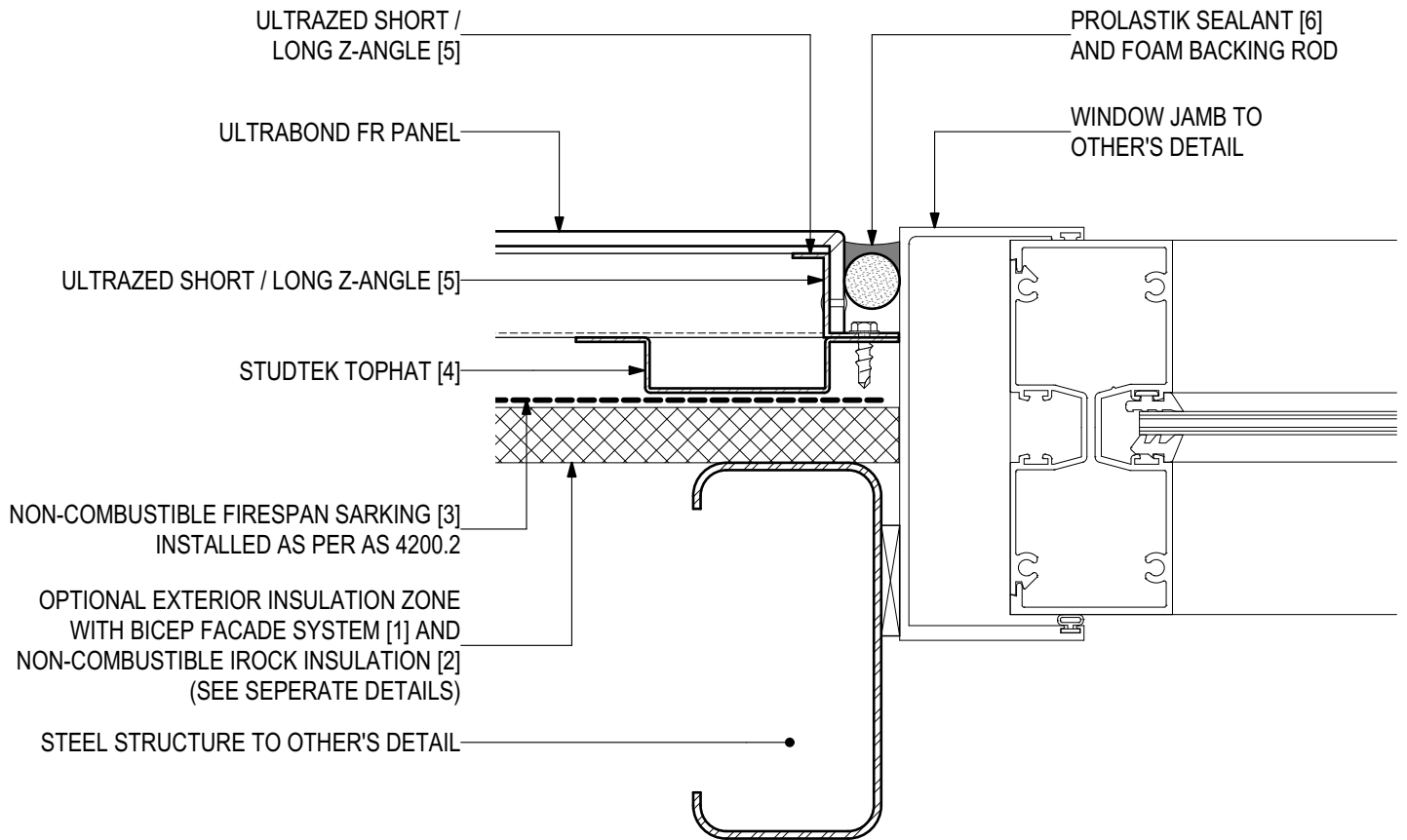
PROLASTIK SEALANT [6]





## D.06 - WINDOW JAMB (SCALE 1:2)

### ULTRABOND FR Fire Resistant Aluminium Composite Panel (V1022)



## SYSTEM COMPONENTS

BICEP FACADE  
SYSTEM [1]



IROCK  
INSULATION [2]



FIRESpan  
SARKING [3]



STUDEK  
TOPHAT [4]



ULTRAZED  
Z-ANGLES [5]



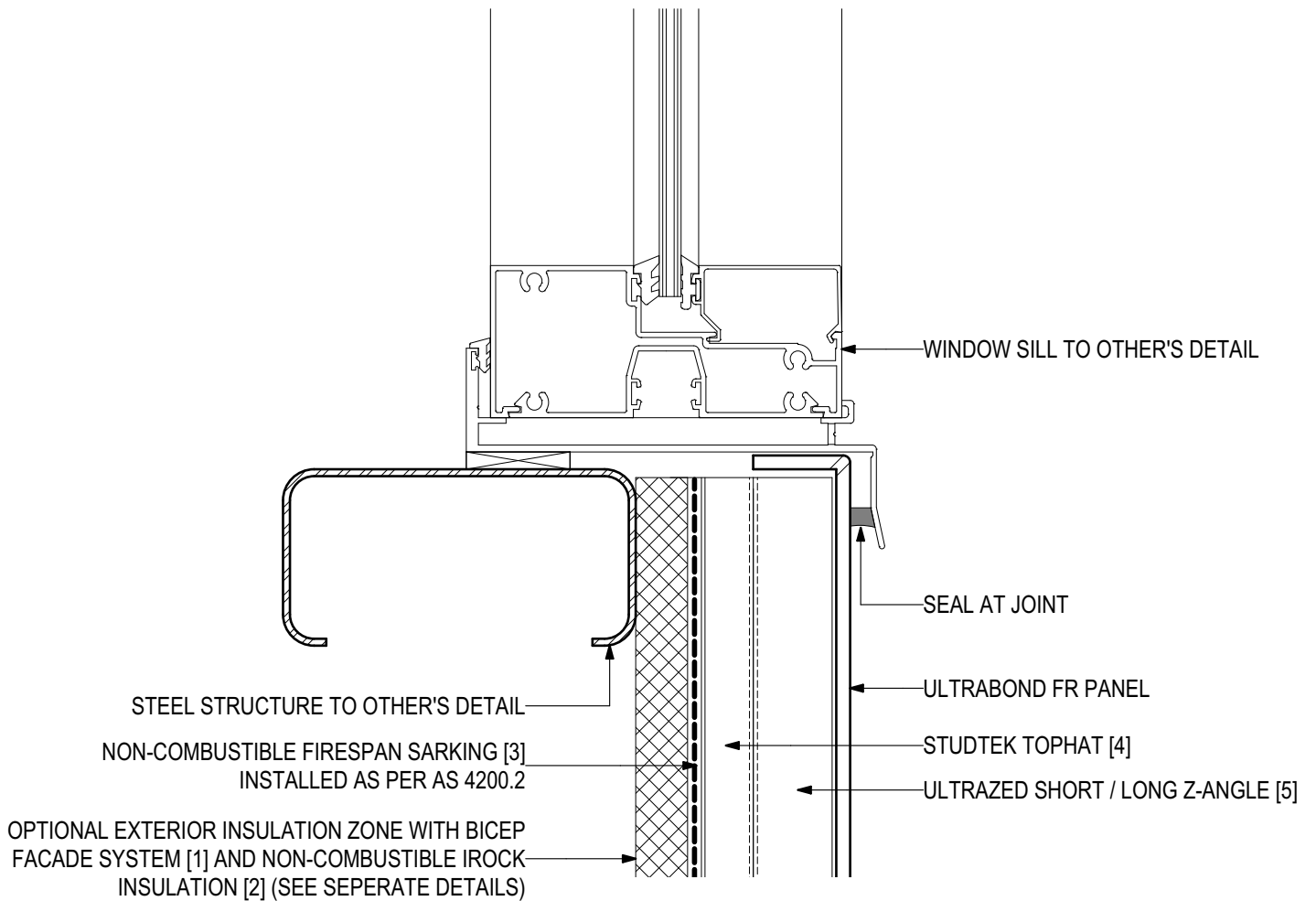
PROLASTIK  
SEALANT [6]





**D.07 - WINDOW SILL (SCALE 1:2)**

**ULTRABOND FR Fire Resistant Aluminium Composite Panel (V1022)**



**SYSTEM COMPONENTS**

BICEP FACADE SYSTEM [1]



IROCK INSULATION [2]



FIRESpan SARKING [3]



STUDEK TOPHAT [4]



ULTRAZED Z-ANGLES [5]



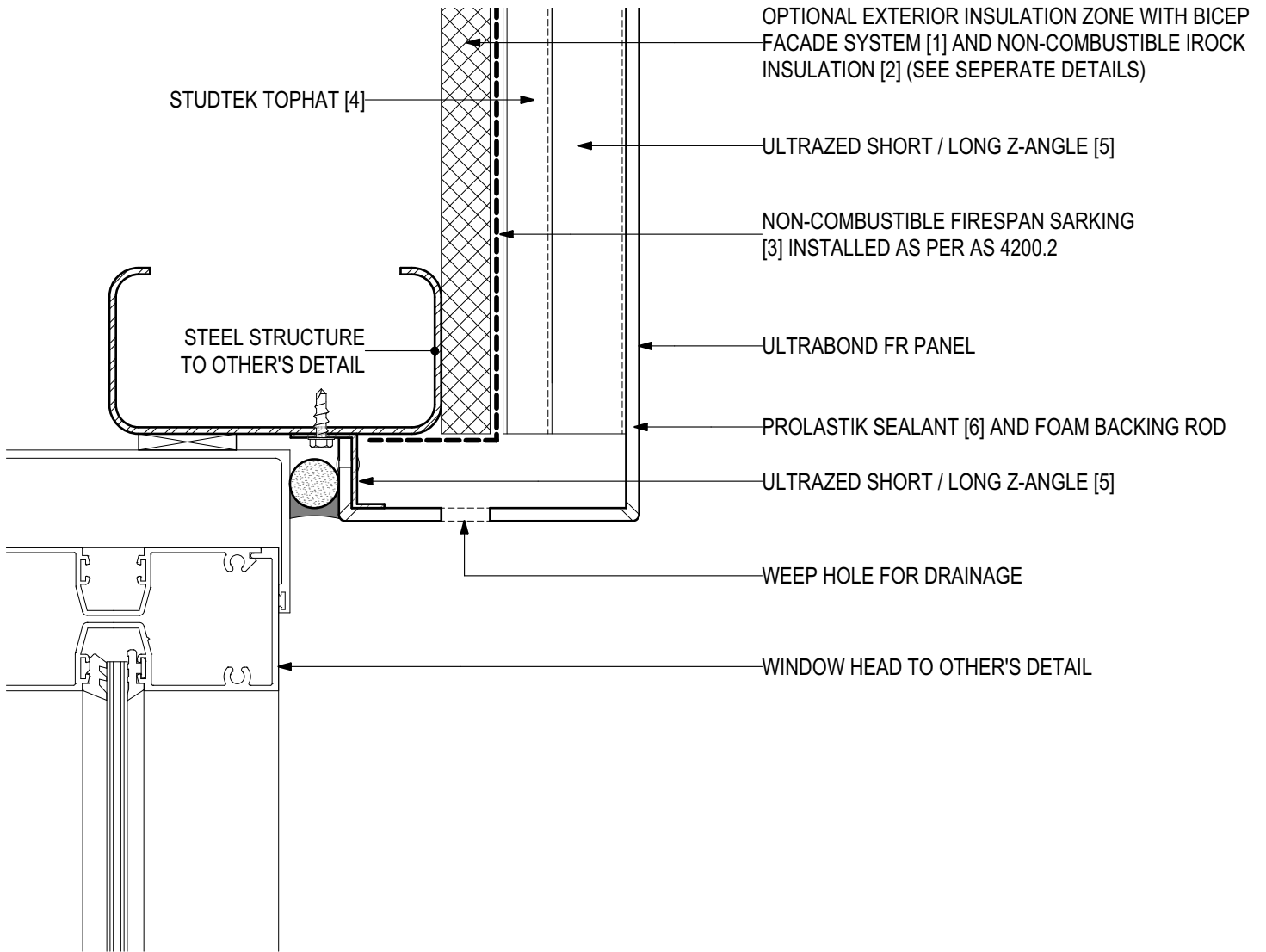
PROLASTIK SEALANT [6]







**D.08 - INSET WINDOW HEAD DETAIL (SCALE 1:2)**  
ULTRABOND FR Fire Resistant Aluminium Composite Panel (V1022)



**SYSTEM COMPONENTS**

BICEP FACADE SYSTEM [1]



IROCK INSULATION [2]



FIRESPAN SARKING [3]



STUDTEK TOPHAT [4]



ULTRAZED Z-ANGLES [5]

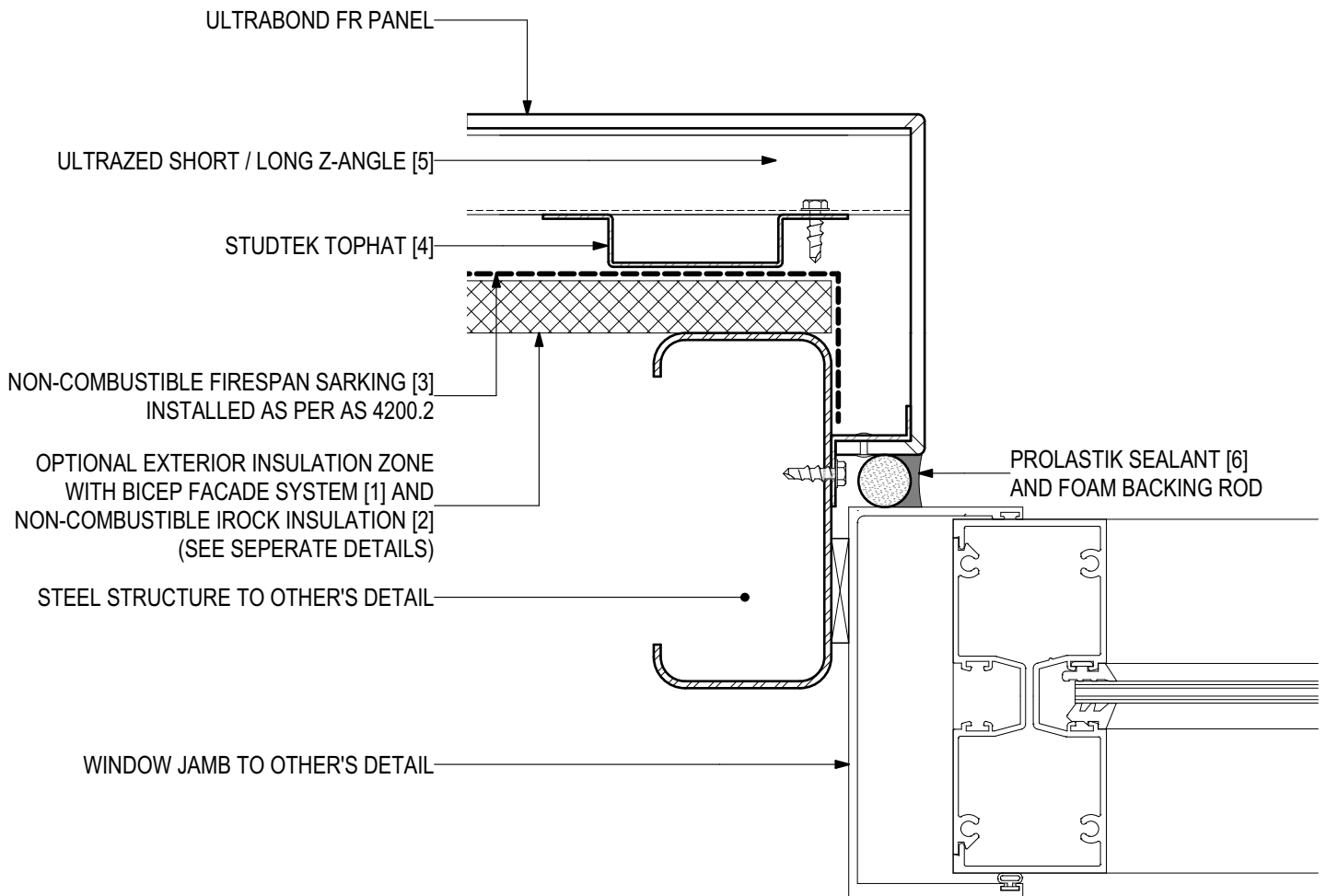


PROLASTIK SEALANT [6]





**D.09 - INSET WINDOW JAMB (SCALE 1:2)**  
ULTRABOND FR Fire Resistant Aluminium Composite Panel (V1022)



**SYSTEM COMPONENTS**

BICEP FACADE  
SYSTEM [1]



IROCK  
INSULATION [2]



FIRESPAN  
SARKING [3]



STUDTEK  
TOPHAT [4]



ULTRAZED  
Z-ANGLES [5]

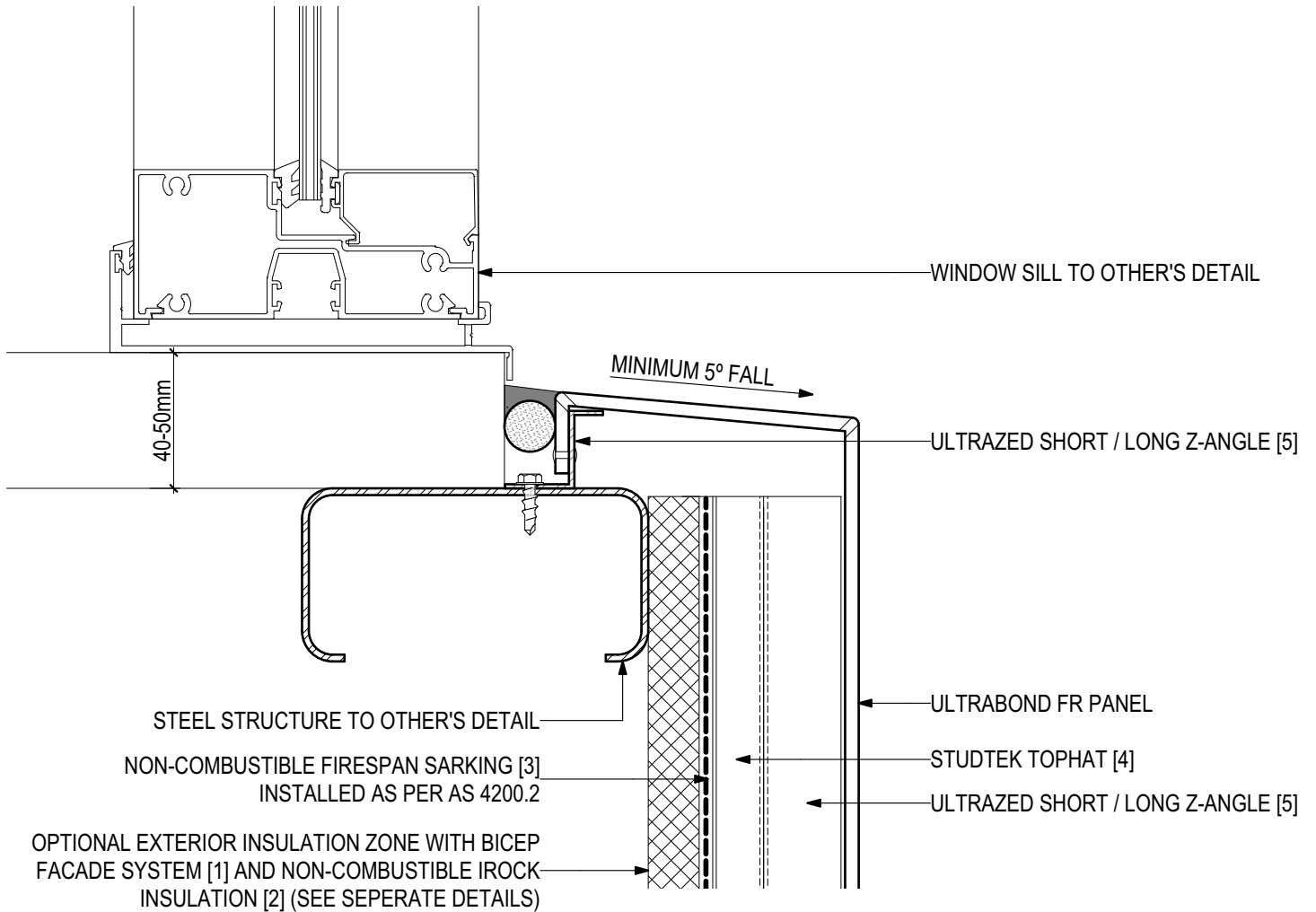


PROLASTIK  
SEALANT [6]





**D.10 - INSET WINDOW SILL (SCALE 1:2)**  
ULTRABOND FR Fire Resistant Aluminium Composite Panel (V1022)



**SYSTEM COMPONENTS**

BICEP FACADE SYSTEM [1]



IROCK INSULATION [2]



FIRESPAN SARKING [3]



STUDEK TOPHAT [4]



ULTRAZED Z-ANGLES [5]

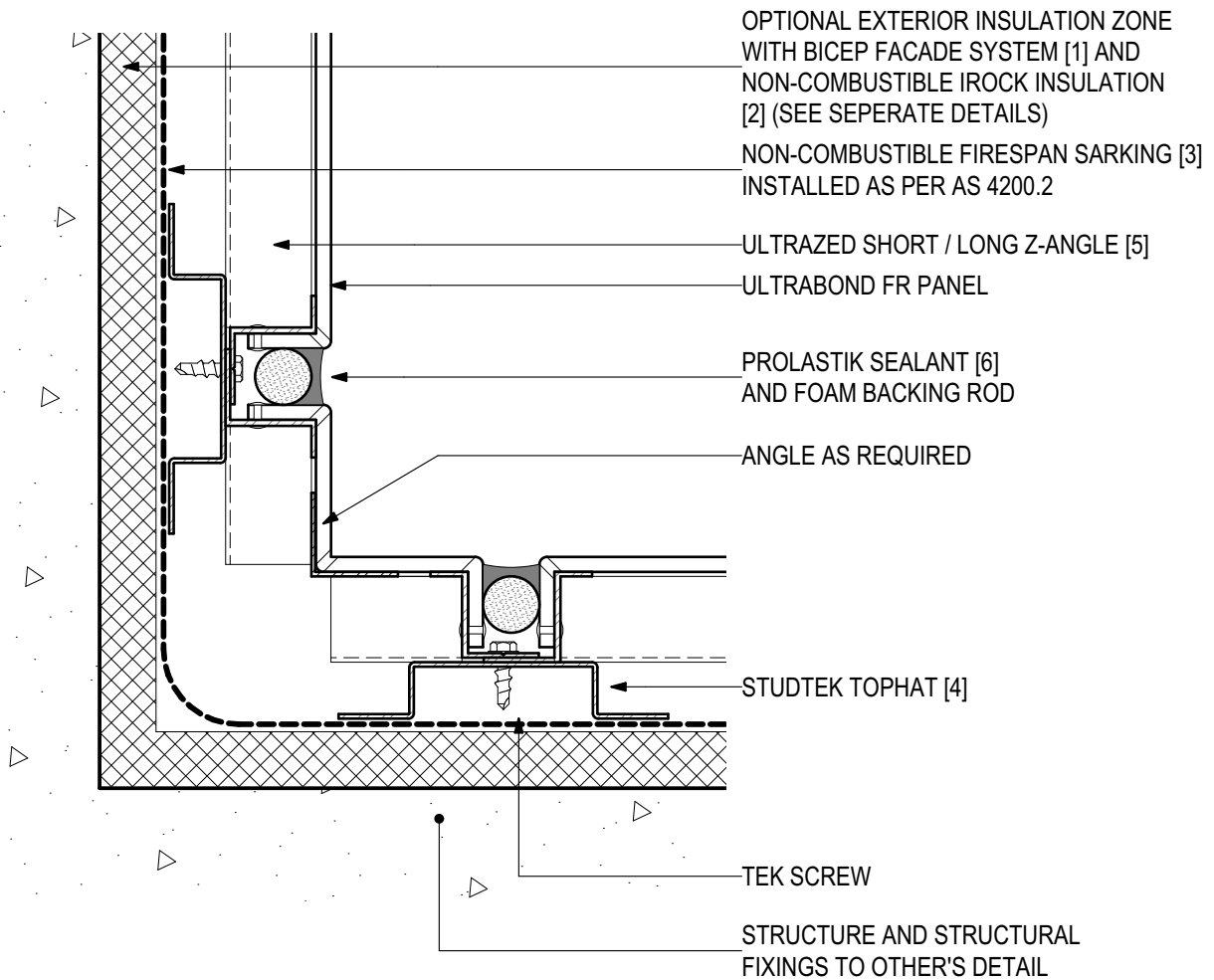


PROLASTIK SEALANT [6]





**D.11 - INTERNAL CORNER (SCALE 1:2)**  
ULTRABOND FR Fire Resistant Aluminium Composite Panel (V1022)



**SYSTEM COMPONENTS**

BICEP FACADE SYSTEM [1]



IROCK INSULATION [2]



FIRESPAN SARKING [3]



STUDTEK TOPHAT [4]



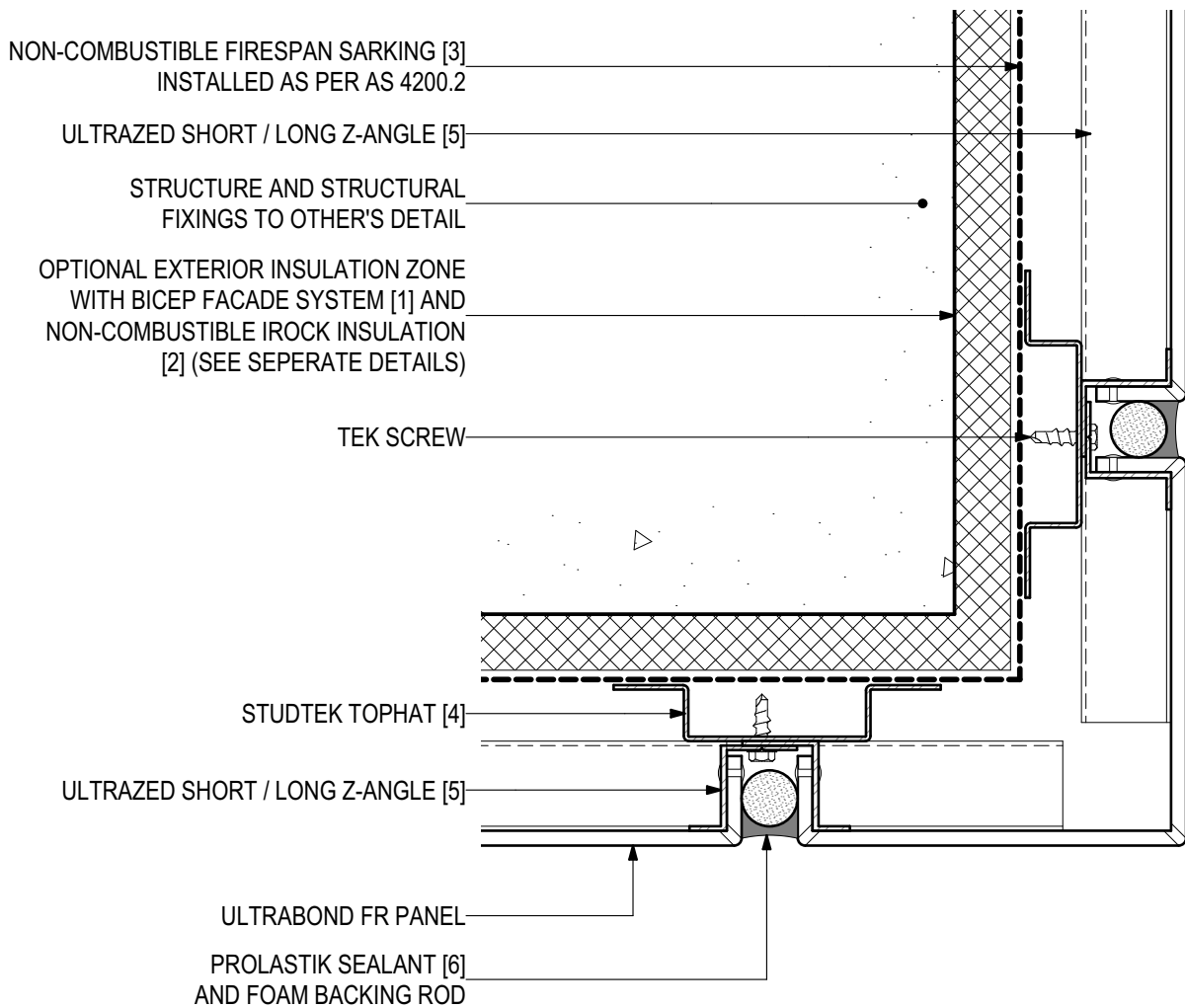
ULTRAZED Z-ANGLES [5]



PROLASTIK SEALANT [6]



**D.12 - EXTERNAL CORNER (SCALE 1:2)**  
ULTRABOND FR Fire Resistant Aluminium Composite Panel (V1022)



**SYSTEM COMPONENTS**

BICEP FACADE SYSTEM [1]



IROCK INSULATION [2]



FIRESPAN SARKING [3]



STUDTEK TOPHAT [4]



ULTRAZED Z-ANGLES [5]

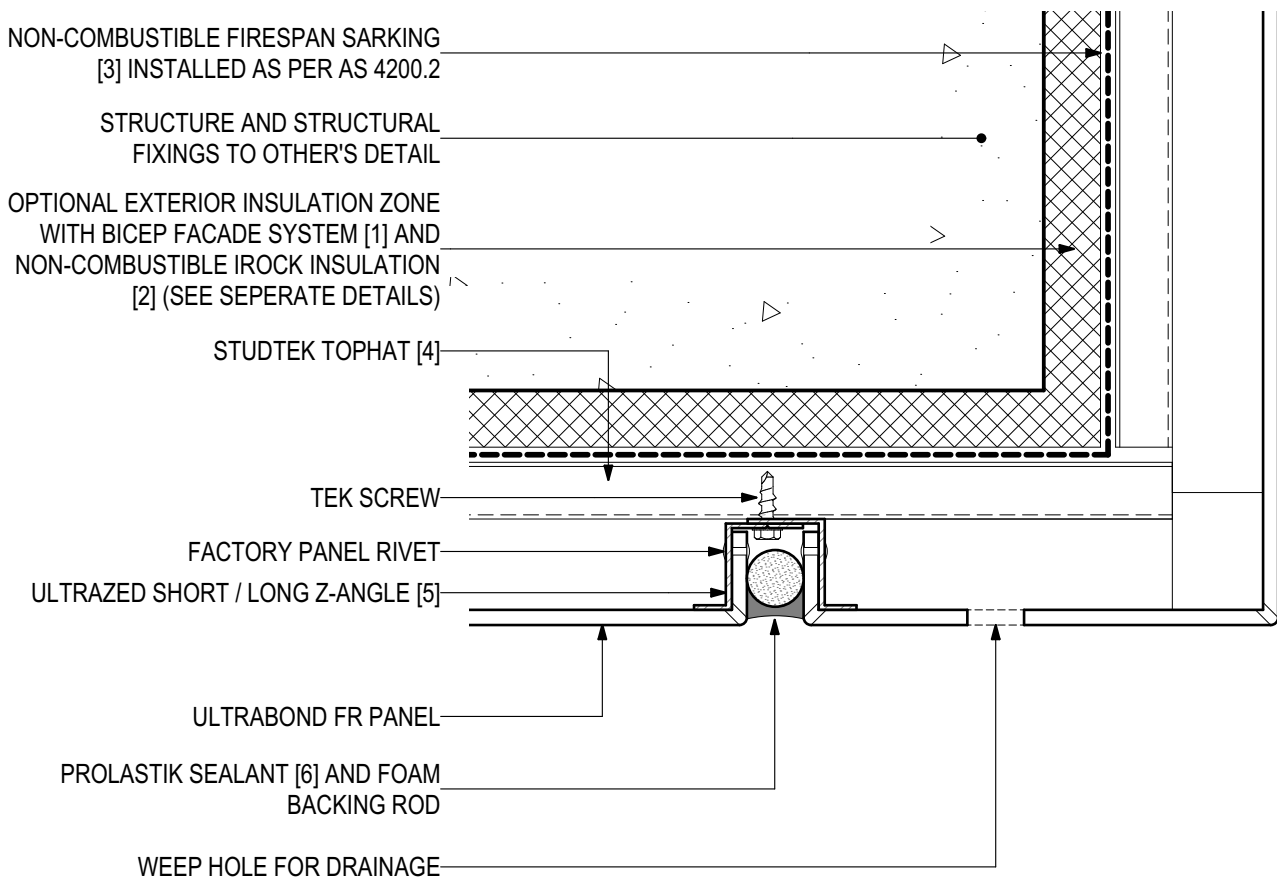


PROLASTIK SEALANT [6]





**D.13 - SOFFIT JUNCTION (SCALE 1:2)**  
ULTRABOND FR Fire Resistant Aluminium Composite Panel (V1022)



**SYSTEM COMPONENTS**

BICEP FACADE SYSTEM [1]



IROCK INSULATION [2]



FIRESPAN SARKING [3]



STUDTEK TOPHAT [4]



ULTRAZED Z-ANGLES [5]

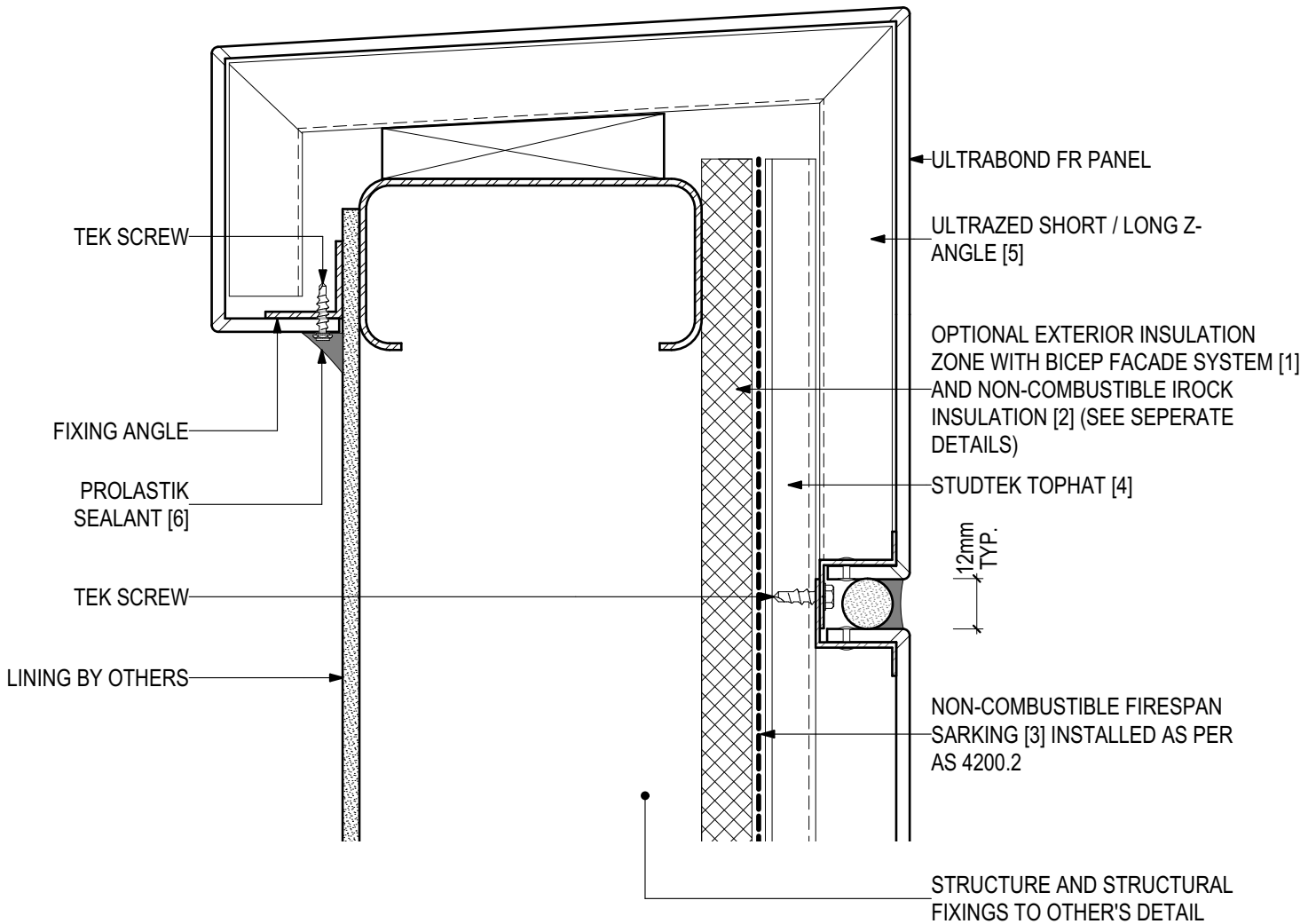


PROLASTIK SEALANT [6]





**D.14 - PARAPET CAPPING (SCALE 1:2)**  
ULTRABOND FR Fire Resistant Aluminium Composite Panel (V1022)



**SYSTEM COMPONENTS**

BICEP FACADE SYSTEM [1]



IROCK INSULATION [2]



FIRESPAN SARKING [3]



STUDTEK TOPHAT [4]



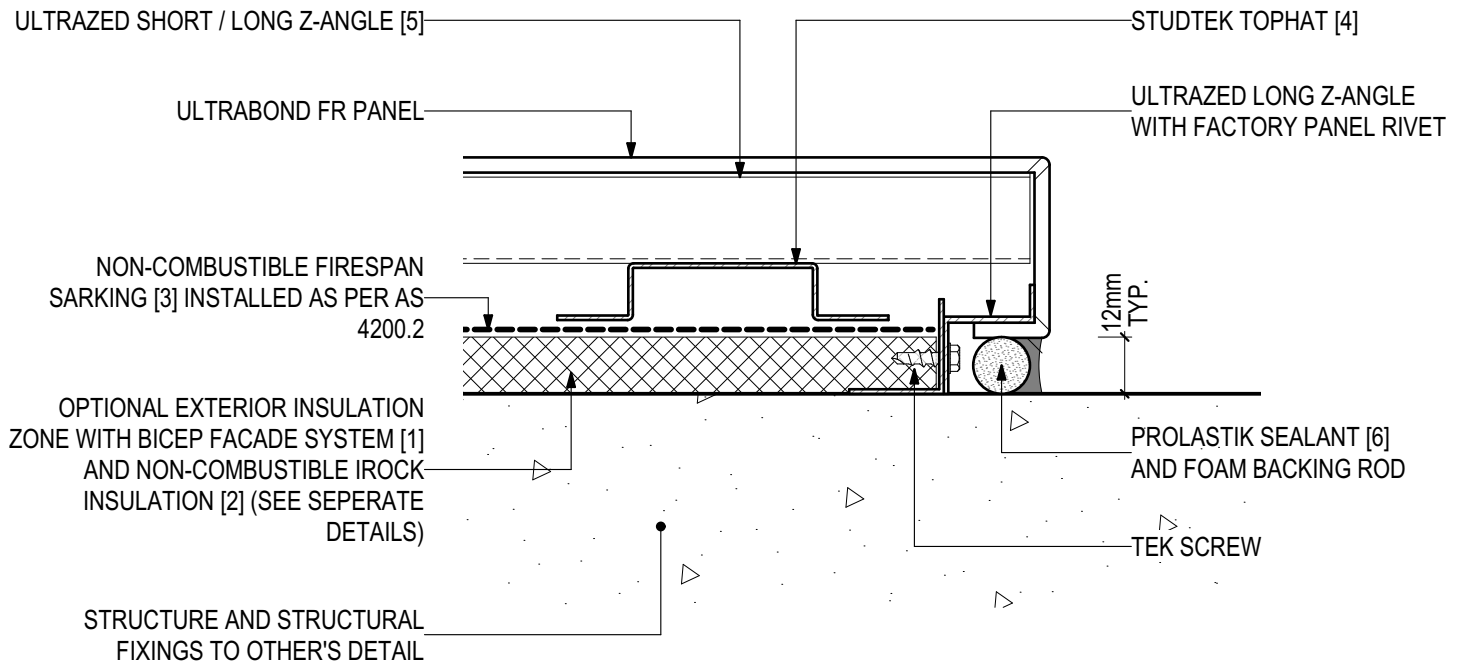
ULTRAZED Z-ANGLES [5]



PROLASTIK SEALANT [6]



**D.15 - CLOSE-OUT DETAIL (SCALE 1:2)**  
**ULTRABOND FR Fire Resistant Aluminium Composite Panel (V1022)**



**SYSTEM COMPONENTS**

BICEP FACADE SYSTEM [1]



IROCK INSULATION [2]



FIRESPAN SARKING [3]



STUDTEK TOPHAT [4]



ULTRAZED Z-ANGLES [5]



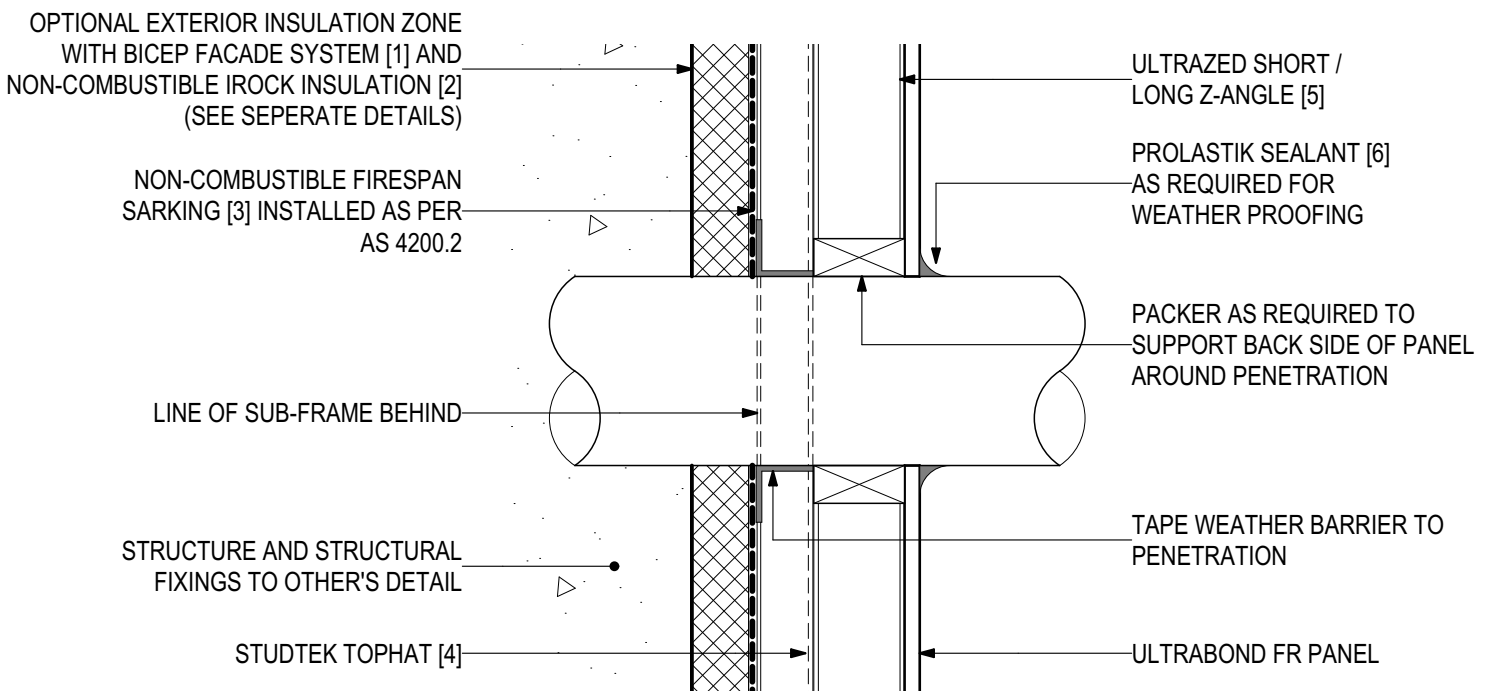
PROLASTIK SEALANT [6]







**D.16 - TYPICAL PENETRATION DETAIL (SCALE 1:2)**  
ULTRABOND FR Fire Resistant Aluminium Composite Panel (V1022)



**SYSTEM COMPONENTS**

BICEP FACADE SYSTEM [1]



IROCK INSULATION [2]



FIRESPAN SARKING [3]



STUDTEK TOPHAT [4]



ULTRAZED Z-ANGLES [5]

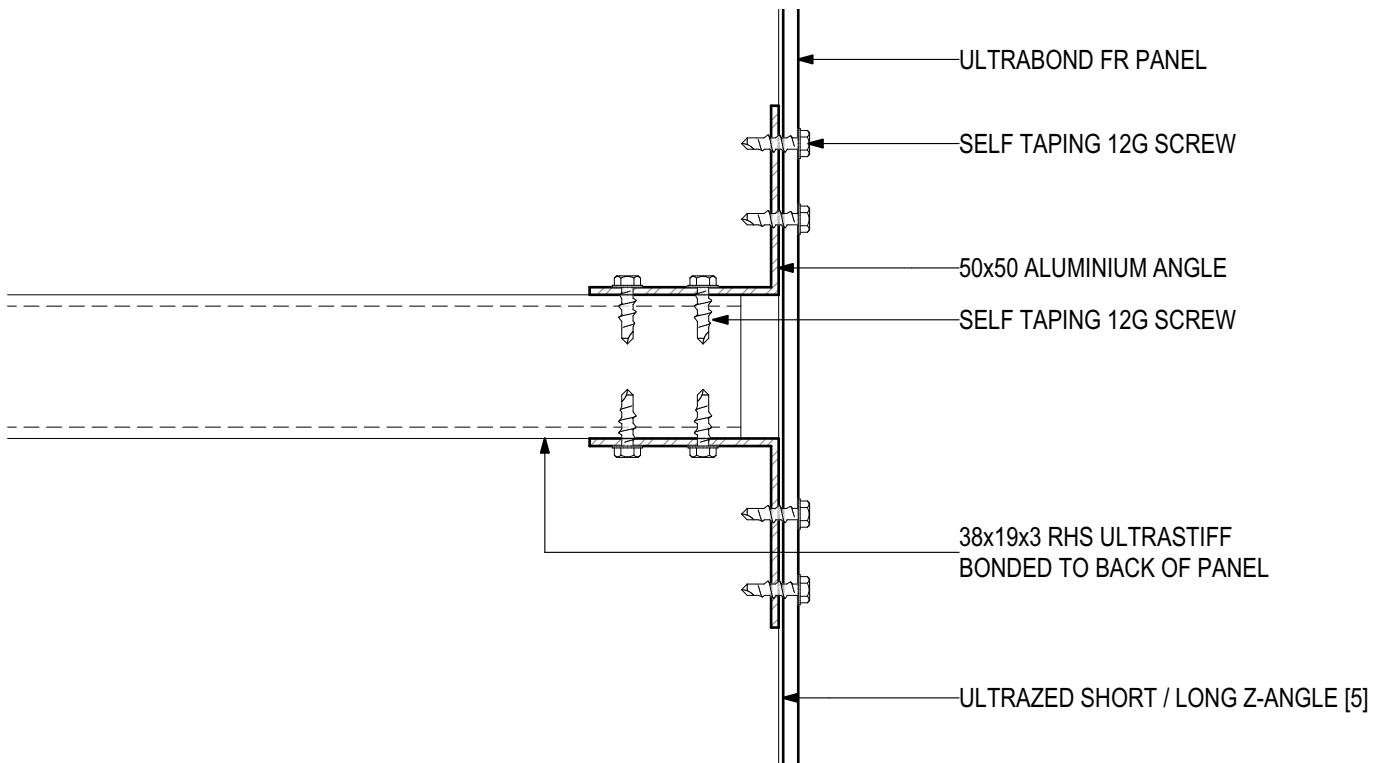


PROLASTIK SEALANT [6]





**D.17 - STIFFENER CONNECTION TO EDGE RETURN (SCALE 1:2)**  
ULTRABOND FR Fire Resistant Aluminium Composite Panel (V1022)



**SYSTEM COMPONENTS**

BICEP FACADE SYSTEM [1]



IROCK INSULATION [2]



FIRESPAN SARKING [3]



STUDEK TOPHAT [4]



ULTRAZED Z-ANGLES [5]



PROLASTIK SEALANT [6]

