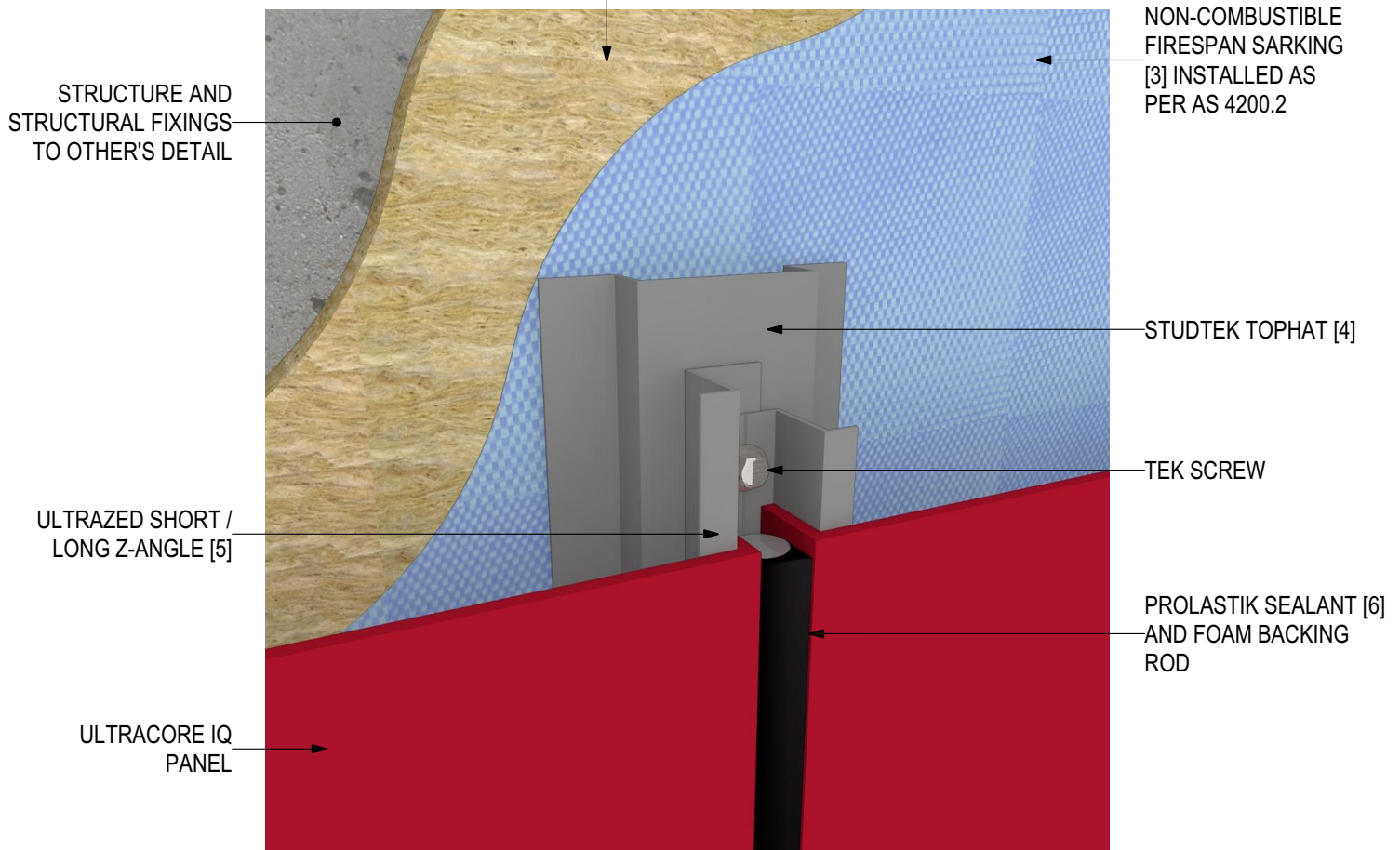




INSTALLATION DETAILS

ULTRACORE IQ Intelligent Non-combustible Core Panel (V0922)

OPTIONAL EXTERIOR INSULATION ZONE WITH BICEP FACADE SYSTEM [1] AND NON-COMBUSTIBLE IROCK INSULATION [2] (SEE SEPERATE DETAILS)



SYSTEM COMPONENTS

BICEP FACADE SYSTEM [1]



IROCK INSULATION [2]



FIRESPAN SARKING [3]



STUDTEK TOPHAT [4]



ULTRAZED Z-ANGLES [5]

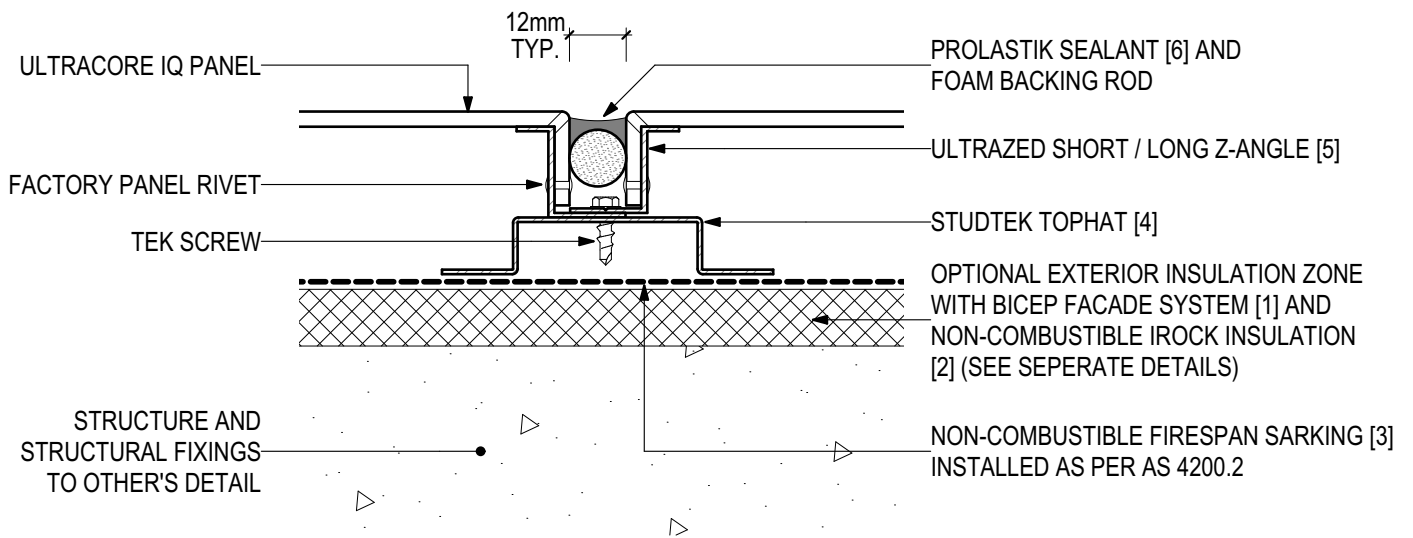


PROLASTIK SEALANT [6]





D.01 - TYPICAL FIXING DETAIL (SCALE 1:2)
ULTRACORE IQ Intelligent Non-combustible Core Panel (V0922)



SYSTEM COMPONENTS

BICEP FACADE SYSTEM [1]



IROCK INSULATION [2]



FIRESAN SARKING [3]



STUDTEK TOPHAT [4]



ULTRAZED Z-ANGLES [5]



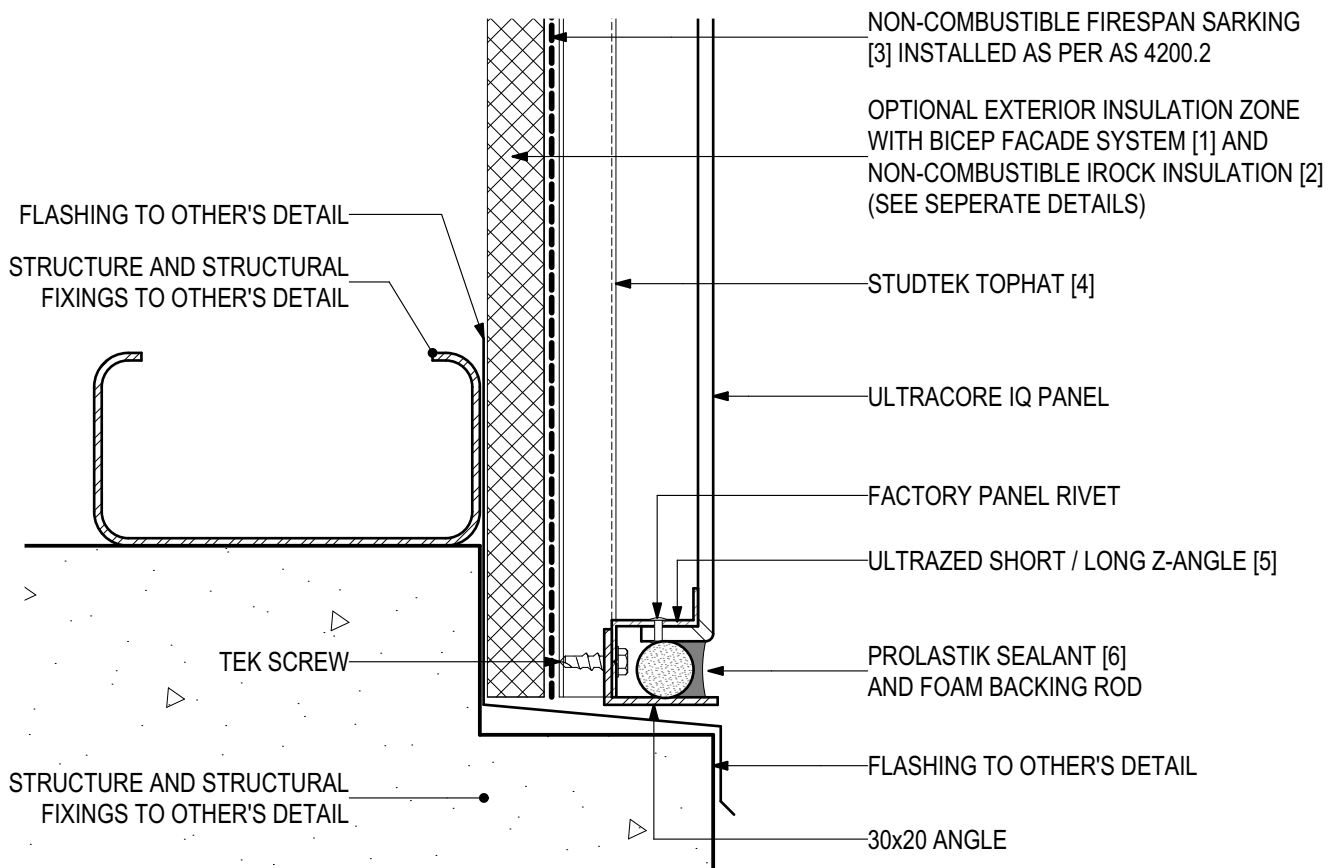
PROLASTIK SEALANT [6]





D.02 - BASE DETAIL (SCALE 1:2)

ULTRACORE IQ Intelligent Non-combustible Core Panel (V0922)



SYSTEM COMPONENTS

BICEP FACADE SYSTEM [1]



IROCK INSULATION [2]



FIRESPAN SARKING [3]



STUDEK TOPHAT [4]



ULTRAZED Z-ANGLES [5]



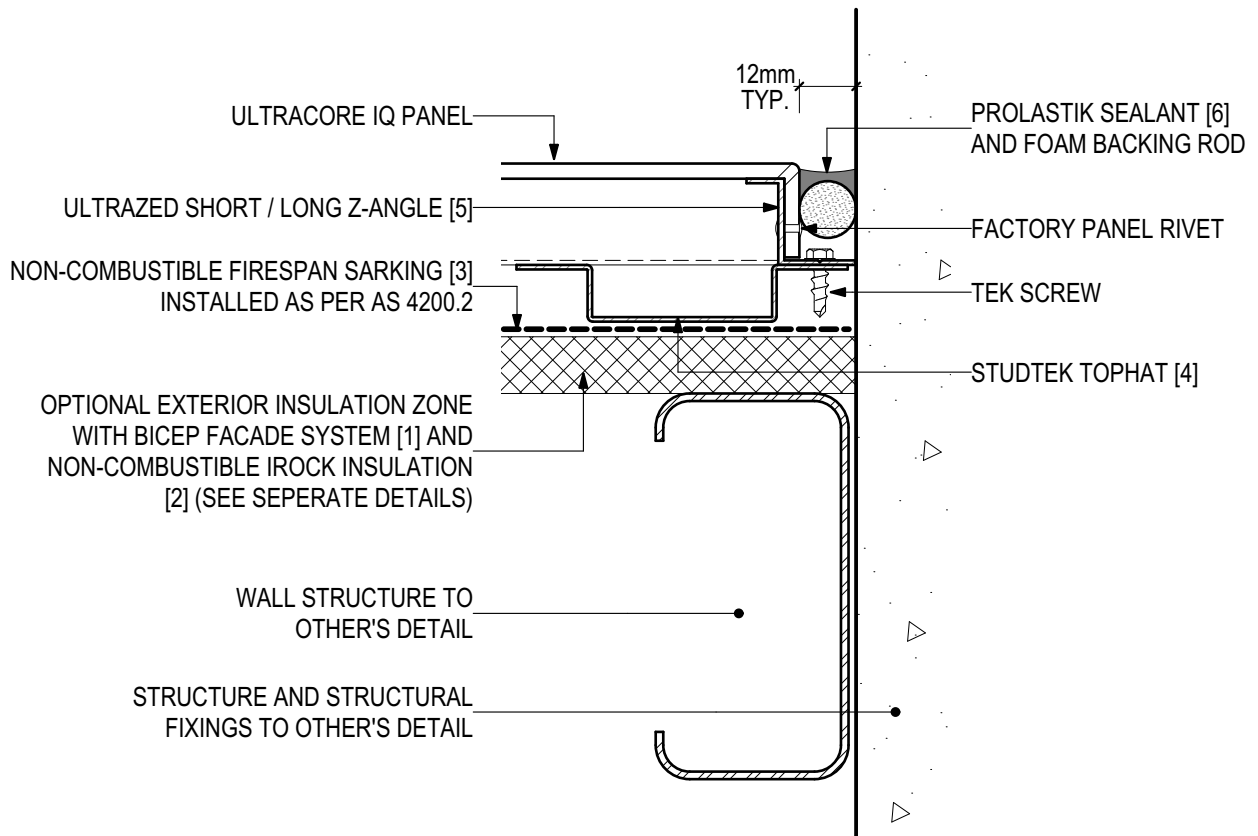
PROLASTIK SEALANT [6]





D.03 - WALL ABUTMENT (SCALE 1:2)

ULTRACORE IQ Intelligent Non-combustible Core Panel (V0922)



SYSTEM COMPONENTS

BICEP FACADE
SYSTEM [1]



IROCK
INSULATION [2]



FIRESpan
SARKING [3]



STUDTEK
TOPHAT [4]



ULTRAZED
Z-ANGLES [5]



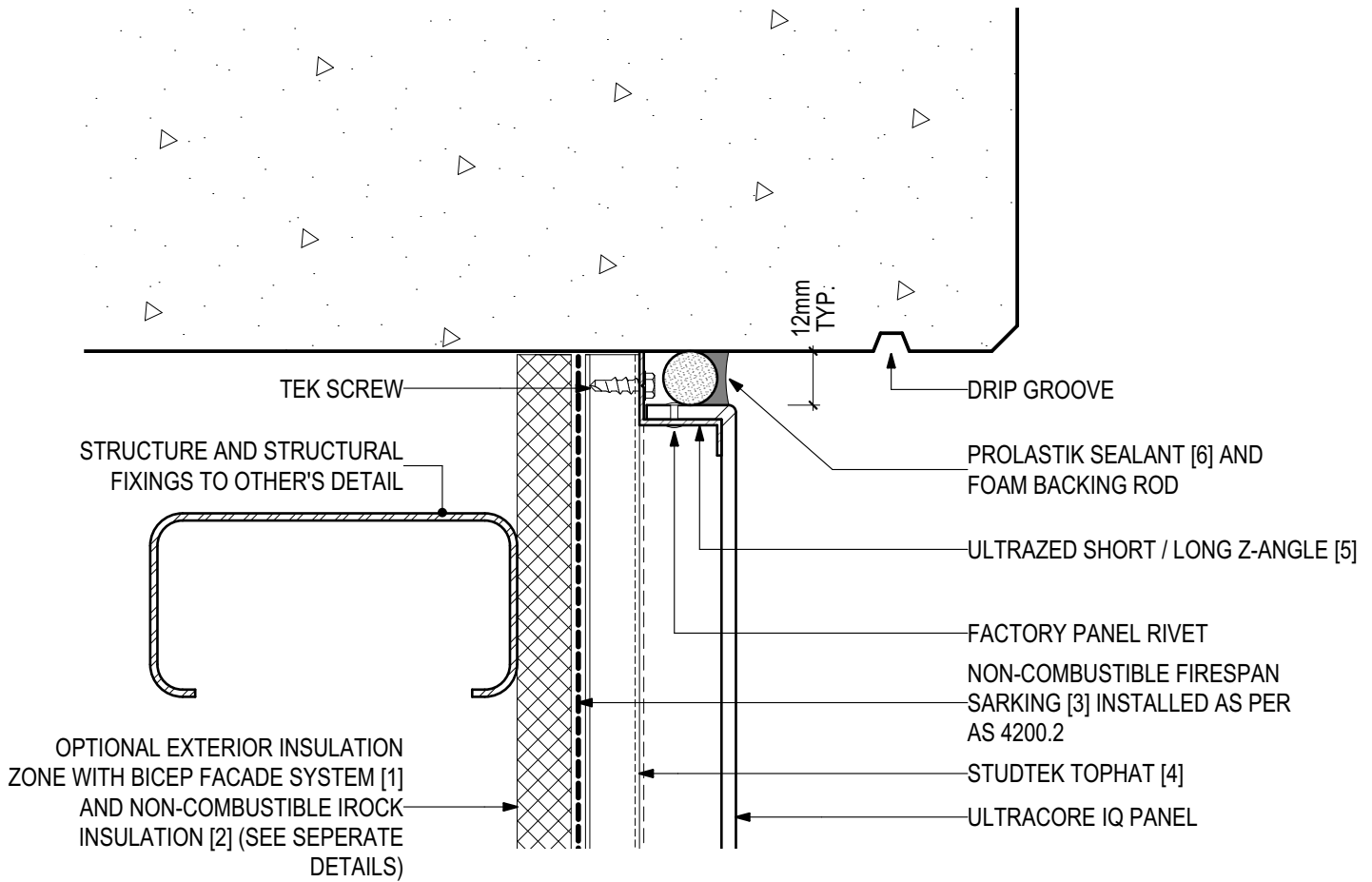
PROLASTIK
SEALANT [6]





D.04 - HEAD AT SLAB JUNCTION (SCALE 1:2)

ULTRACORE IQ Intelligent Non-combustible Core Panel (V0922)



SYSTEM COMPONENTS

BICEP FACADE SYSTEM [1]



IROCK INSULATION [2]



FIRESPAN SARKING [3]



STUDTEK TOPHAT [4]



ULTRAZED Z-ANGLES [5]



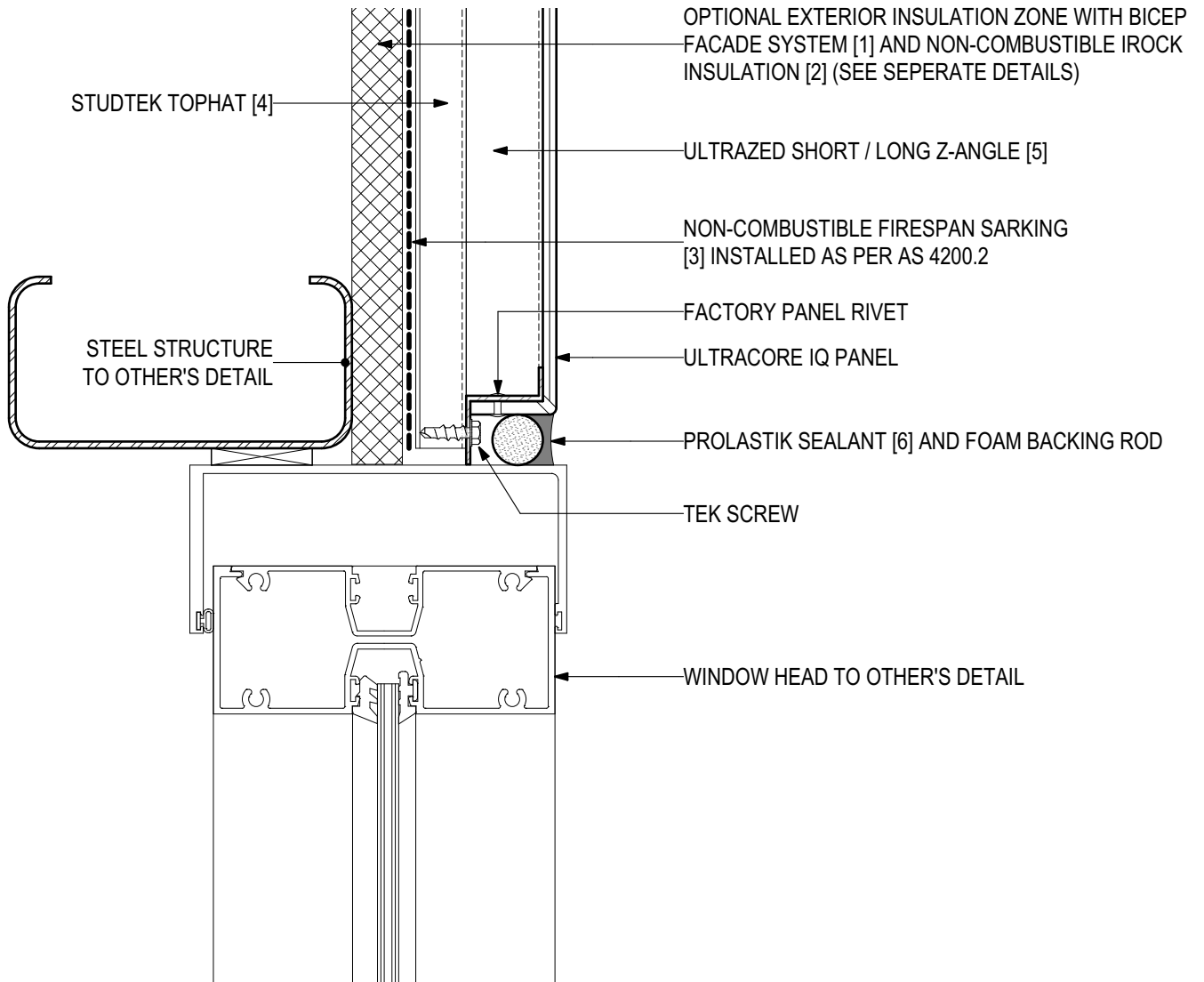
PROLASTIK SEALANT [6]





D.05 - WINDOW HEAD (SCALE 1:2)

ULTRACORE IQ Intelligent Non-combustible Core Panel (V0922)



SYSTEM COMPONENTS

BICEP FACADE SYSTEM [1]



IROCK INSULATION [2]



FIRESPAN SARKING [3]



STUDTEK TOPHAT [4]



ULTRAZED Z-ANGLES [5]



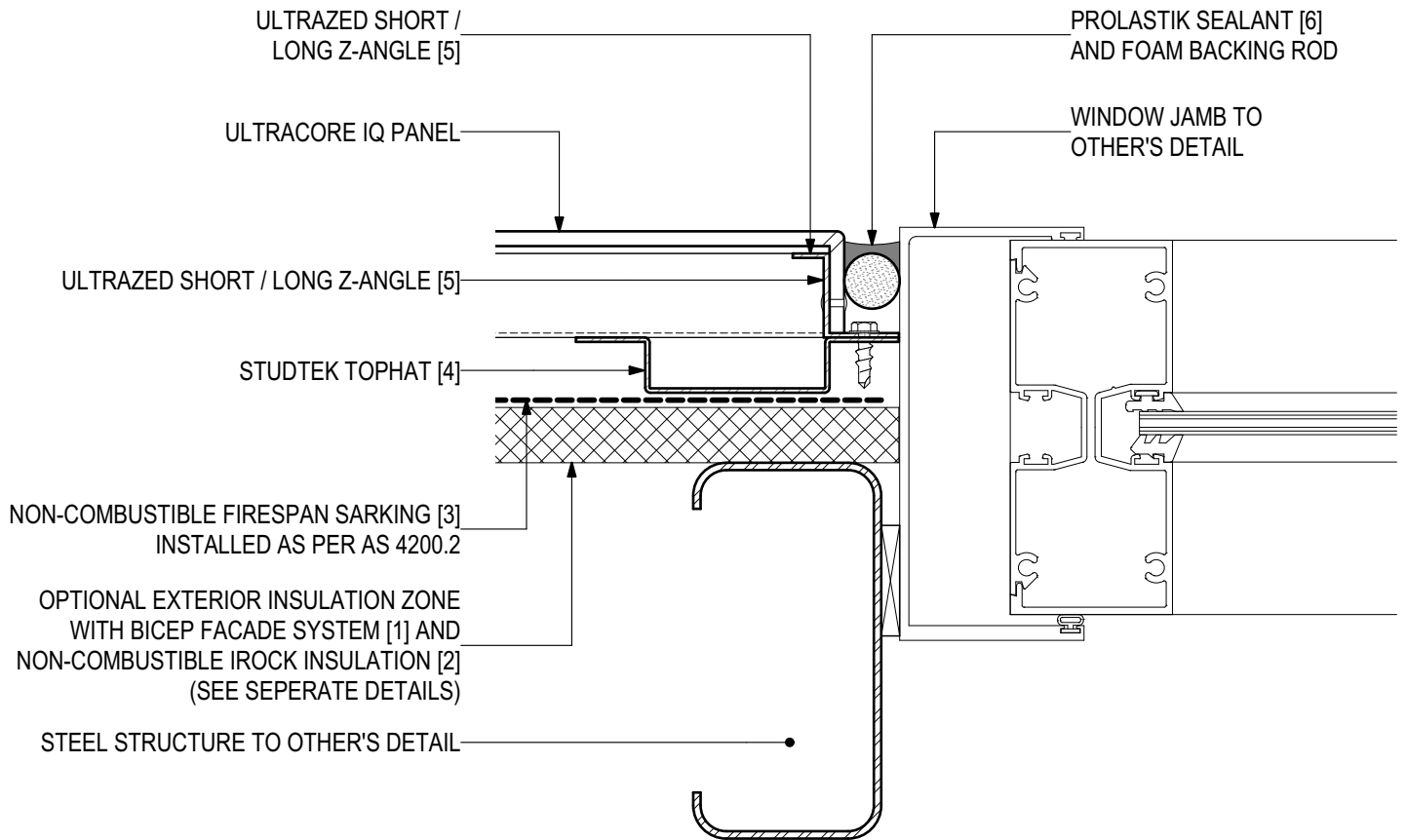
PROLASTIK SEALANT [6]





D.06 - WINDOW JAMB (SCALE 1:2)

ULTRACORE IQ Intelligent Non-combustible Core Panel (V0922)



SYSTEM COMPONENTS

BICEP FACADE
SYSTEM [1]



IROCK
INSULATION [2]



FIRESpan
SARKING [3]



STUDEK
TOPHAT [4]



ULTRAZED
Z-ANGLES [5]



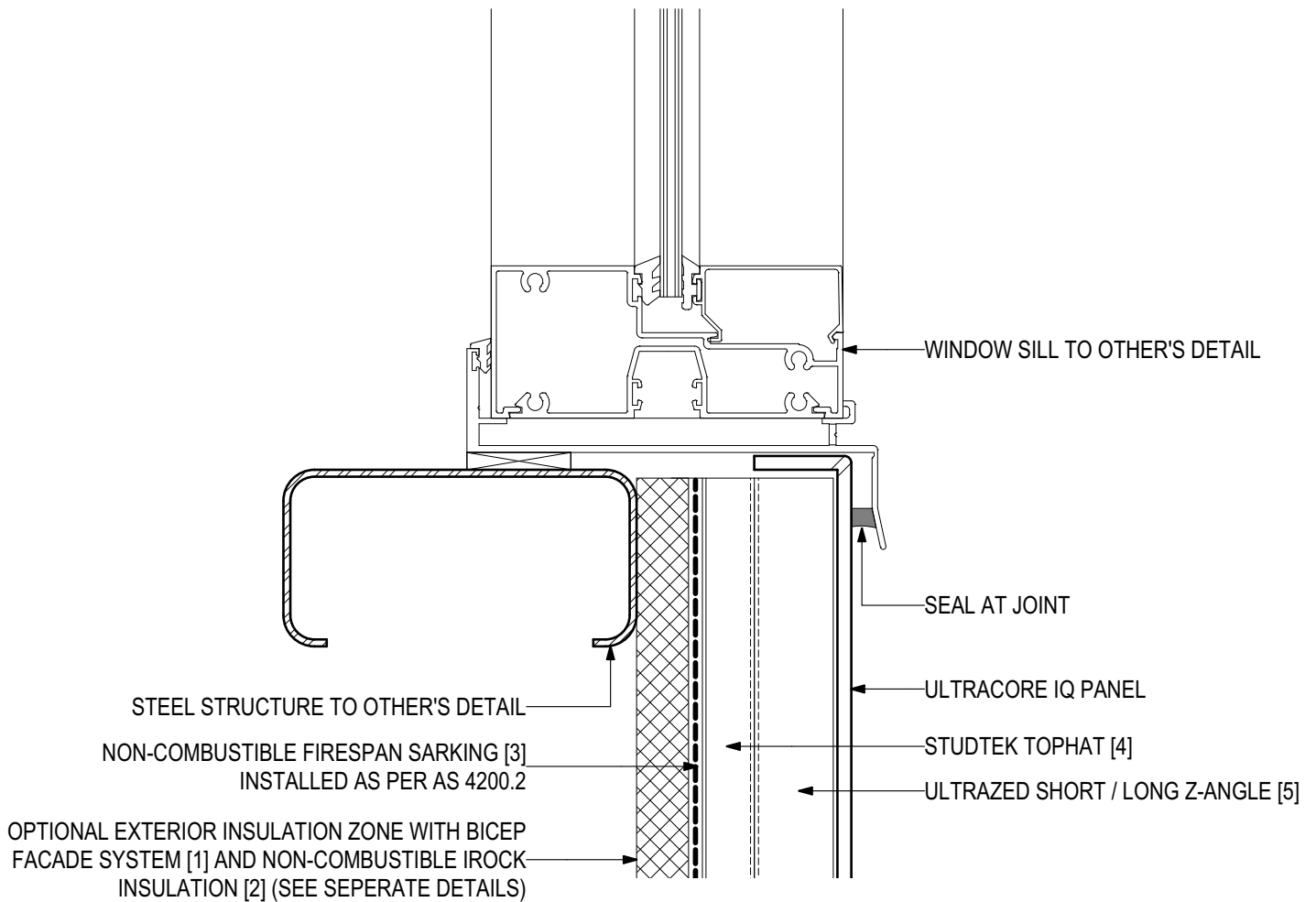
PROLASTIK
SEALANT [6]





D.07 - WINDOW SILL (SCALE 1:2)

ULTRACORE IQ Intelligent Non-combustible Core Panel (V0922)



SYSTEM COMPONENTS

BICEP FACADE
SYSTEM [1]



IROCK
INSULATION [2]



FIRESAN
SARKING [3]



STUDEK
TOPHAT [4]



ULTRAZED
Z-ANGLES [5]

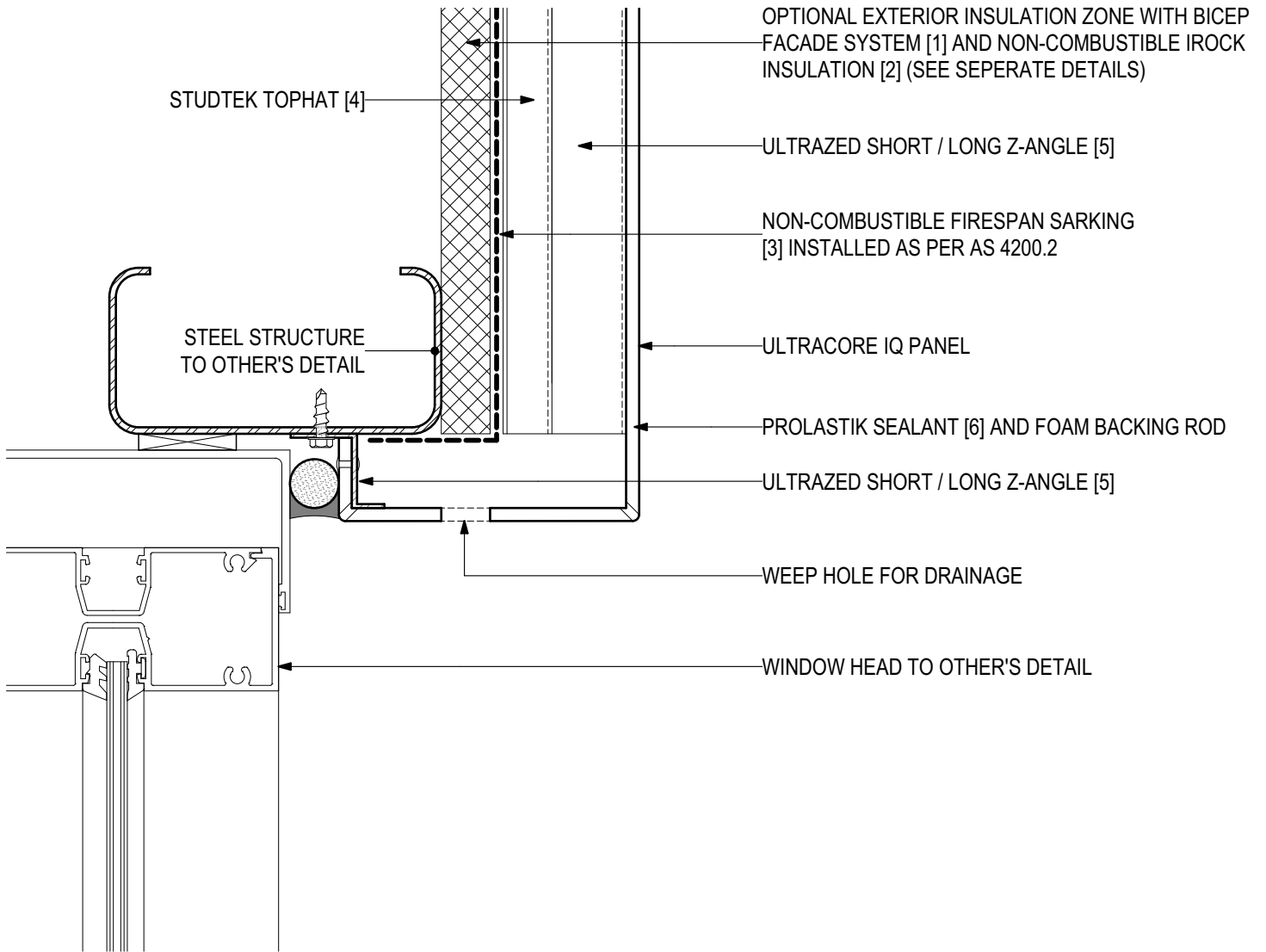


PROLASTIK
SEALANT [6]





D.08 - INSET WINDOW HEAD DETAIL (SCALE 1:2)
ULTRACORE IQ Intelligent Non-combustible Core Panel (V0922)



SYSTEM COMPONENTS

BICEP FACADE SYSTEM [1]



IROCK INSULATION [2]



FIRESPAN SARKING [3]



STUDTEK TOPHAT [4]



ULTRAZED Z-ANGLES [5]



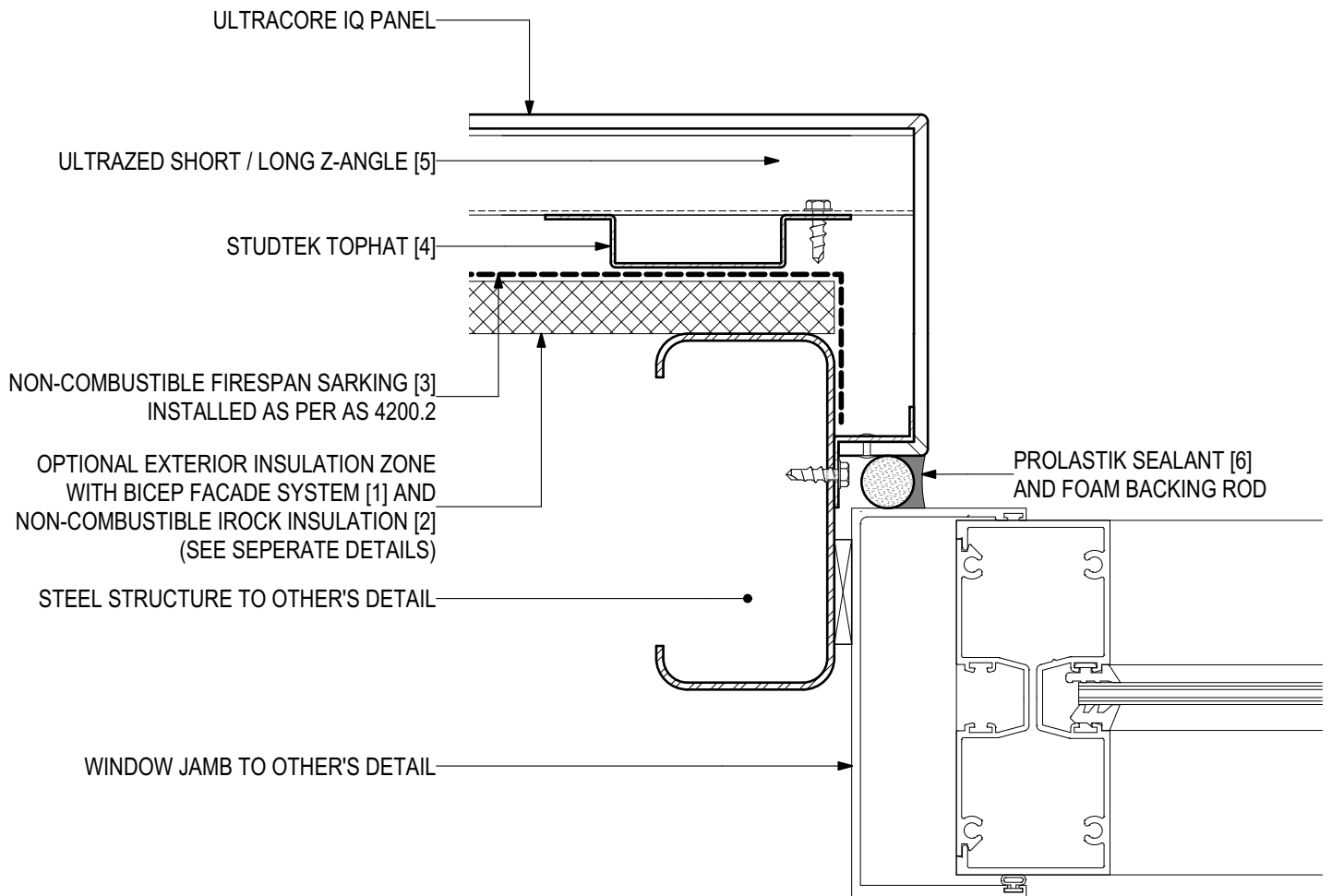
PROLASTIK SEALANT [6]





D.09 - INSET WINDOW JAMB (SCALE 1:2)

ULTRACORE IQ Intelligent Non-combustible Core Panel (V0922)



SYSTEM COMPONENTS

BICEP FACADE
SYSTEM [1]



IROCK
INSULATION [2]



FIRESPAN
SARKING [3]



STUDTEK
TOPHAT [4]



ULTRAZED
Z-ANGLES [5]



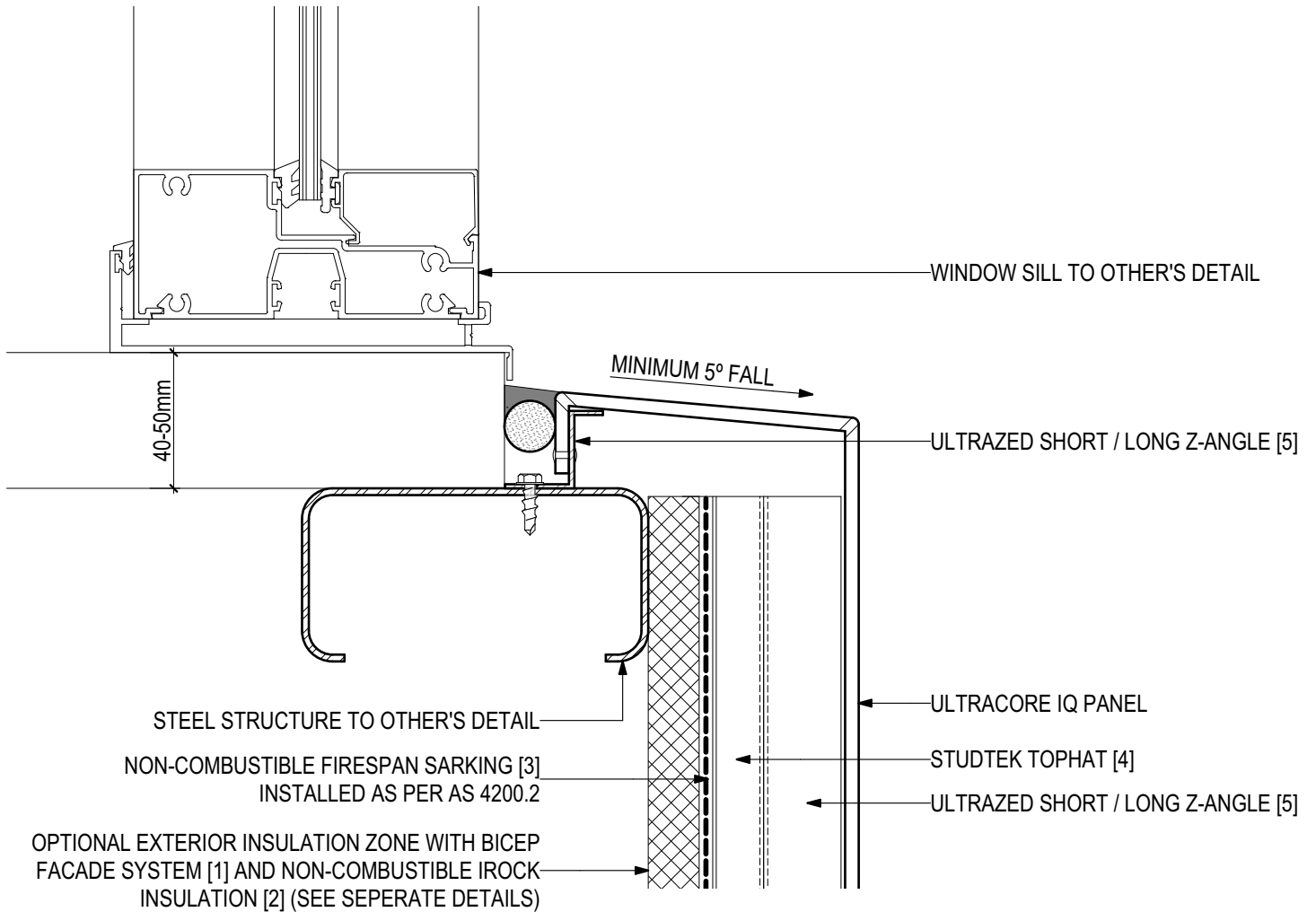
PROLASTIK
SEALANT [6]





D.10 - INSET WINDOW SILL (SCALE 1:2)

ULTRACORE IQ Intelligent Non-combustible Core Panel (V0922)



SYSTEM COMPONENTS

BICEP FACADE SYSTEM [1]



IROCK INSULATION [2]



FIRESAN SARKING [3]



STUDEK TOPHAT [4]



ULTRAZED Z-ANGLES [5]



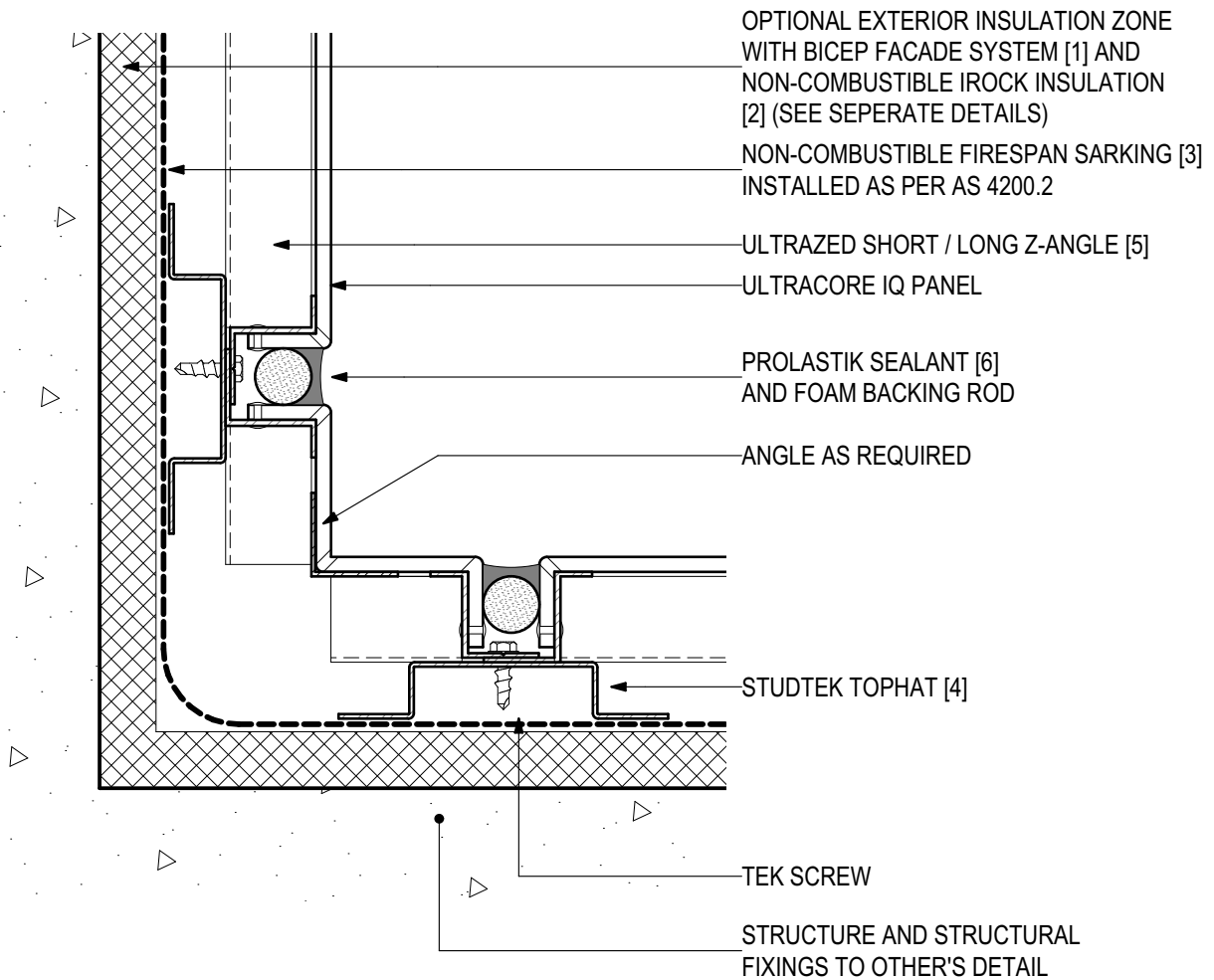
PROLASTIK SEALANT [6]





D.11 - INTERNAL CORNER (SCALE 1:2)

ULTRACORE IQ Intelligent Non-combustible Core Panel (V0922)



SYSTEM COMPONENTS

BICEP FACADE SYSTEM [1]



IROCK INSULATION [2]



FIRESPAN SARKING [3]



STUDEK TOPHAT [4]



ULTRAZED Z-ANGLES [5]

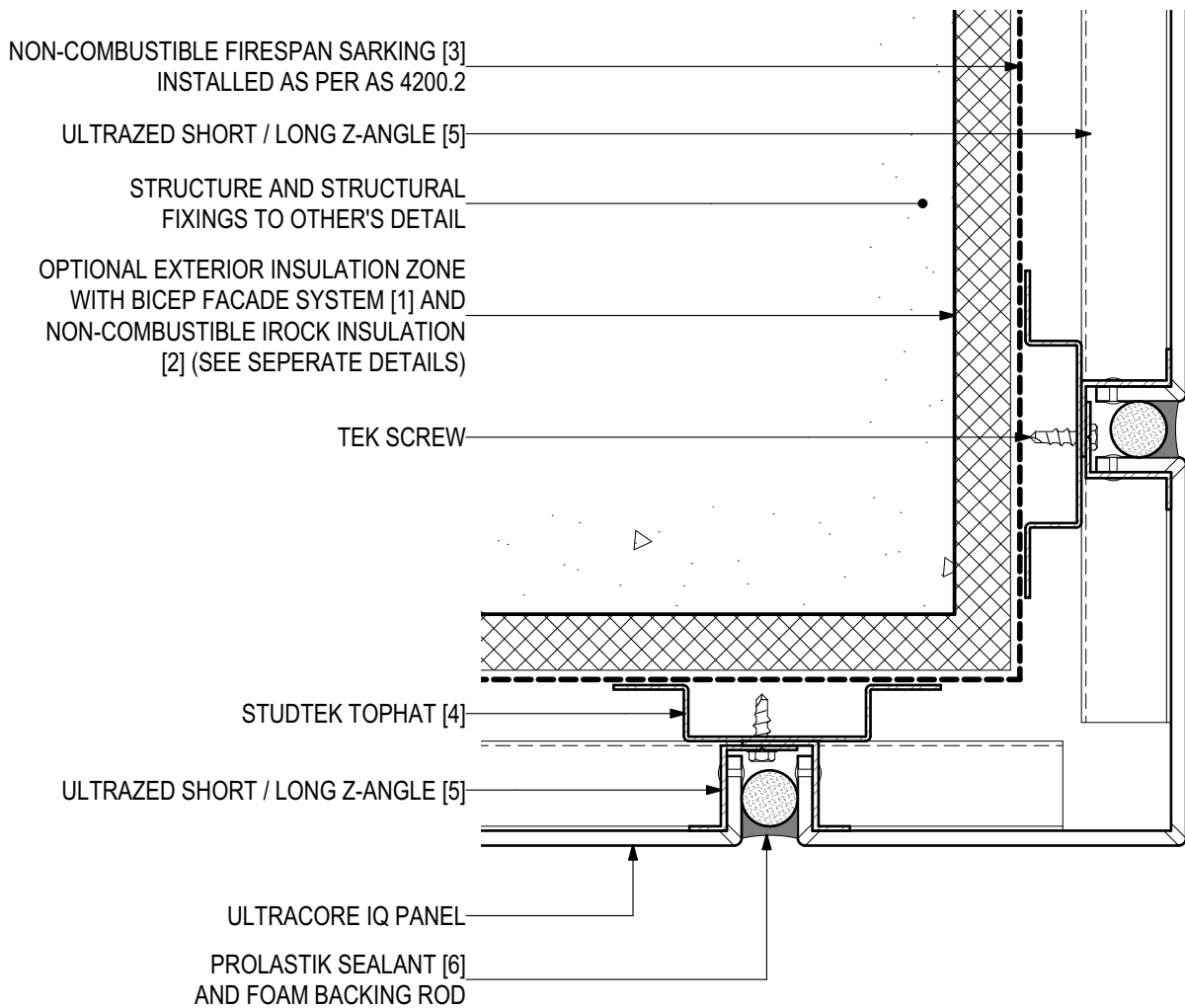


PROLASTIK SEALANT [6]





D.12 - EXTERNAL CORNER (SCALE 1:2)
ULTRACORE IQ Intelligent Non-combustible Core Panel (V0922)



SYSTEM COMPONENTS

BICEP FACADE SYSTEM [1]



IROCK INSULATION [2]



FIRESPAN SARKING [3]



STUDEK TOPHAT [4]



ULTRAZED Z-ANGLES [5]



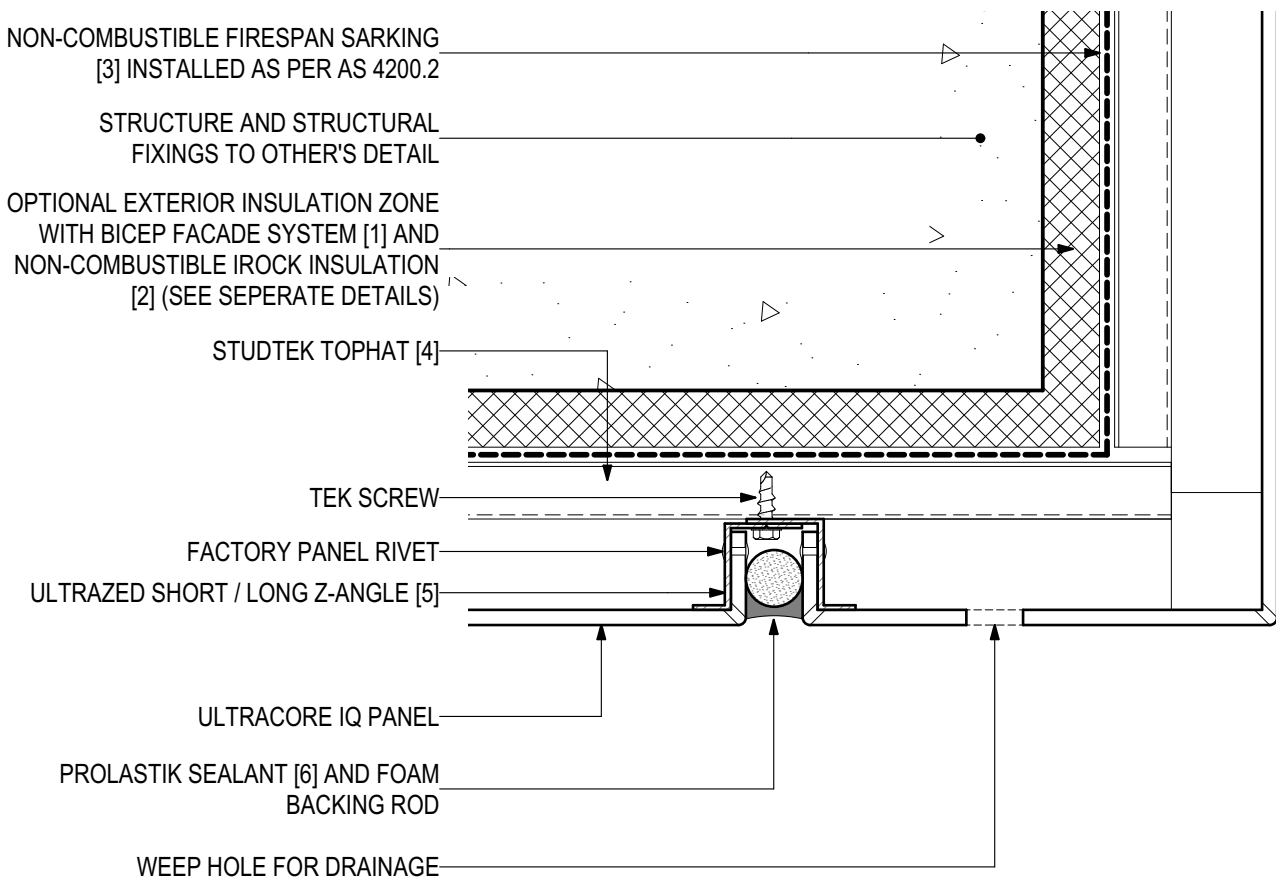
PROLASTIK SEALANT [6]





D.13 - SOFFIT JUNCTION (SCALE 1:2)

ULTRACORE IQ Intelligent Non-combustible Core Panel (V0922)



SYSTEM COMPONENTS

BICEP FACADE SYSTEM [1]



IROCK INSULATION [2]



FIRESPAN SARKING [3]



STUDTEK TOPHAT [4]



ULTRAZED Z-ANGLES [5]

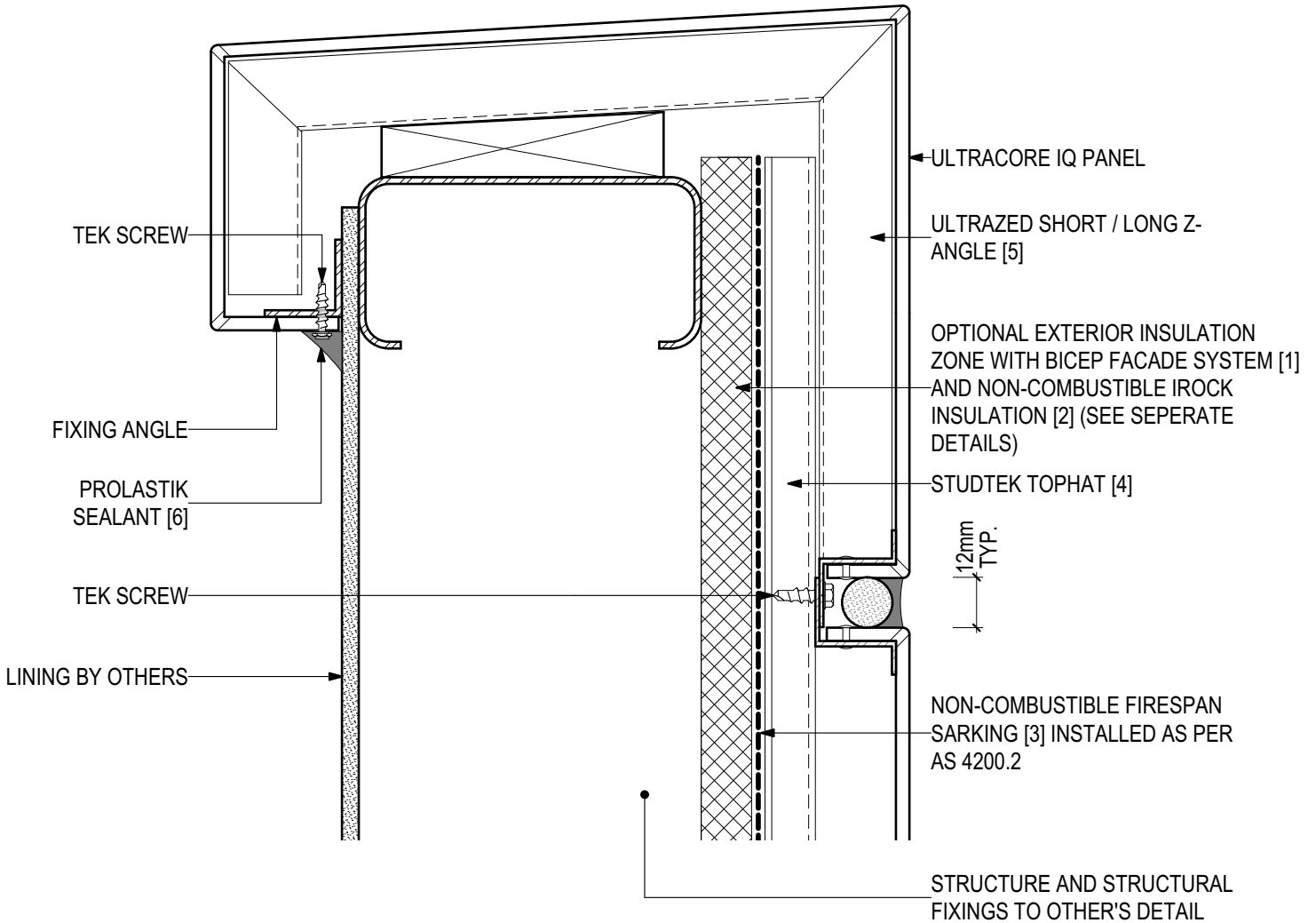


PROLASTIK SEALANT [6]





D.14 - PARAPET CAPPING (SCALE 1:2)
ULTRACORE IQ Intelligent Non-combustible Core Panel (V0922)



SYSTEM COMPONENTS

BICEP FACADE SYSTEM [1]



IROCK INSULATION [2]



FIRESPAN SARKING [3]



STUDTEK TOPHAT [4]



ULTRAZED Z-ANGLES [5]

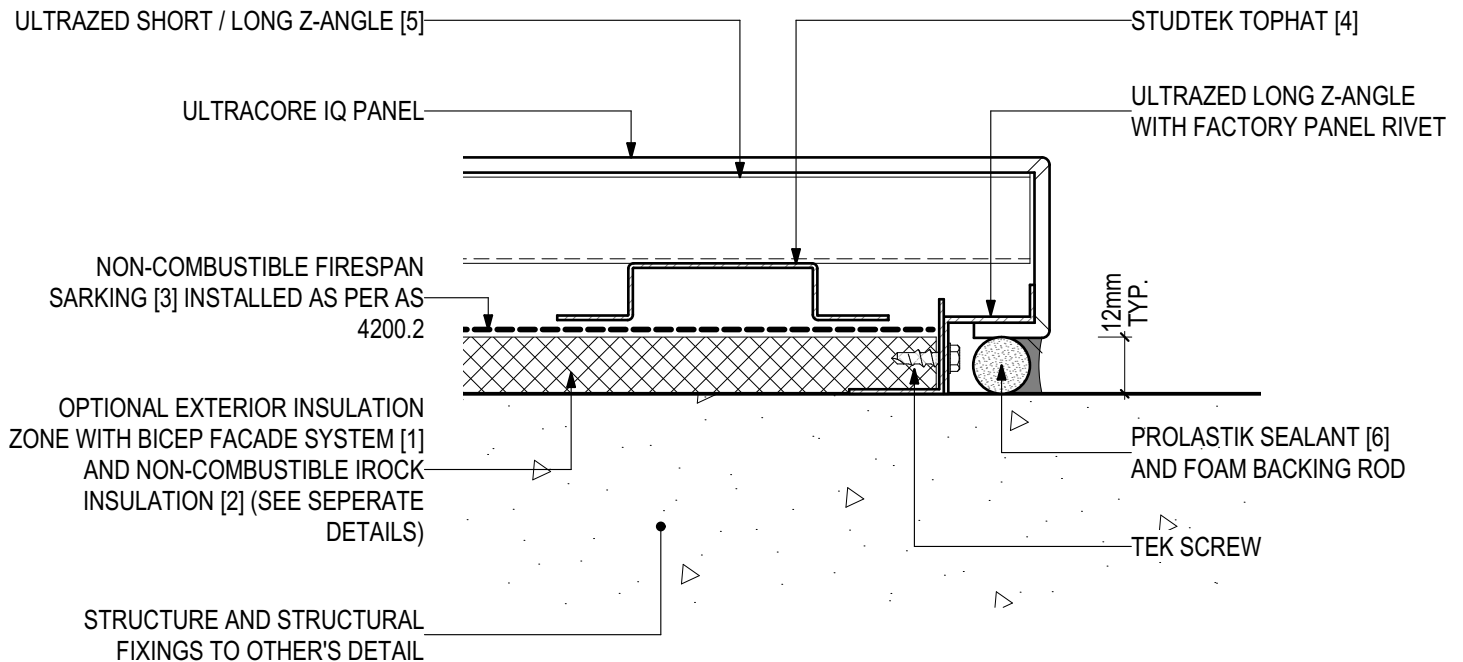


PROLASTIK SEALANT [6]





D.15 - CLOSE-OUT DETAIL (SCALE 1:2)
ULTRACORE IQ Intelligent Non-combustible Core Panel (V0922)



SYSTEM COMPONENTS

BICEP FACADE SYSTEM [1]



IROCK INSULATION [2]



FIRESPAN SARKING [3]



STUDTEK TOPHAT [4]



ULTRAZED Z-ANGLES [5]

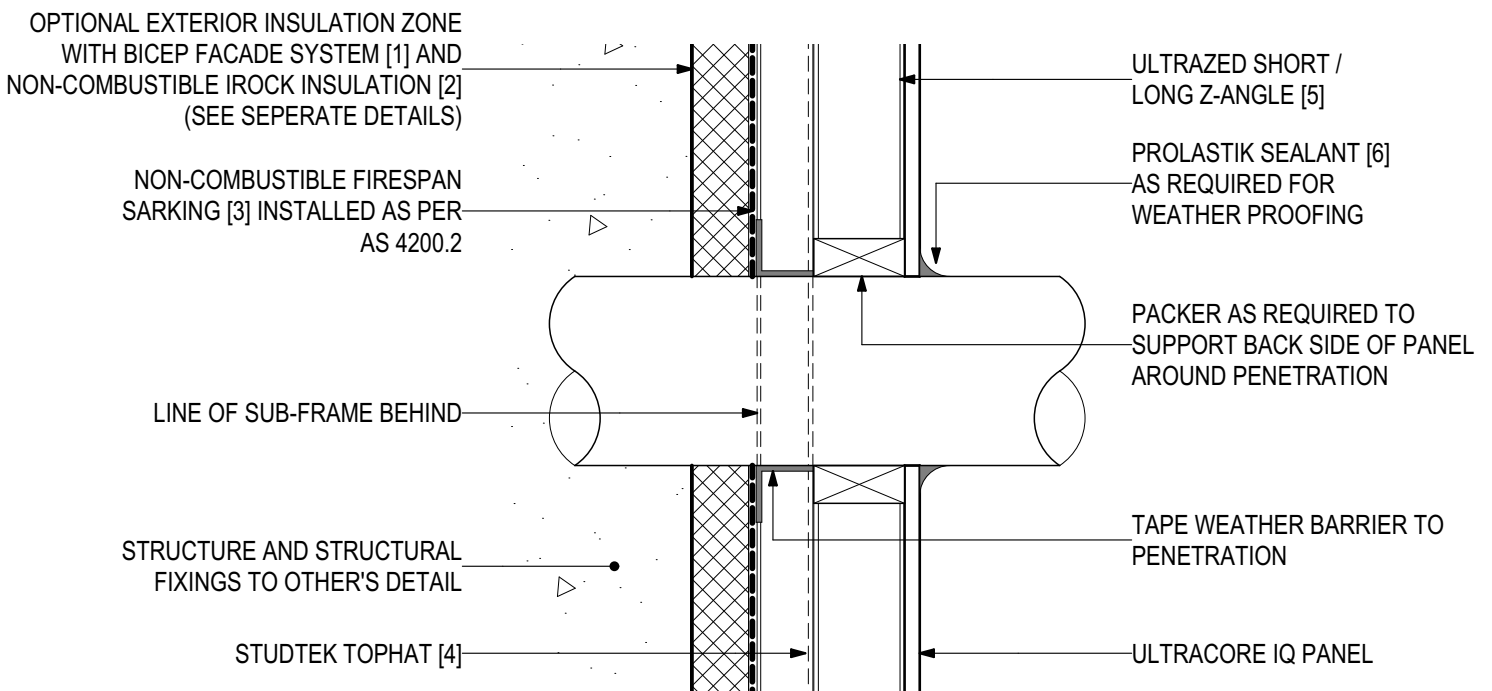


PROLASTIK SEALANT [6]





D.16 - TYPICAL PENETRATION DETAIL (SCALE 1:2)
ULTRACORE IQ Intelligent Non-combustible Core Panel (V0922)



SYSTEM COMPONENTS

BICEP FACADE SYSTEM [1]



IROCK INSULATION [2]



FIRESPAN SARKING [3]



STUDTEK TOPHAT [4]



ULTRAZED Z-ANGLES [5]

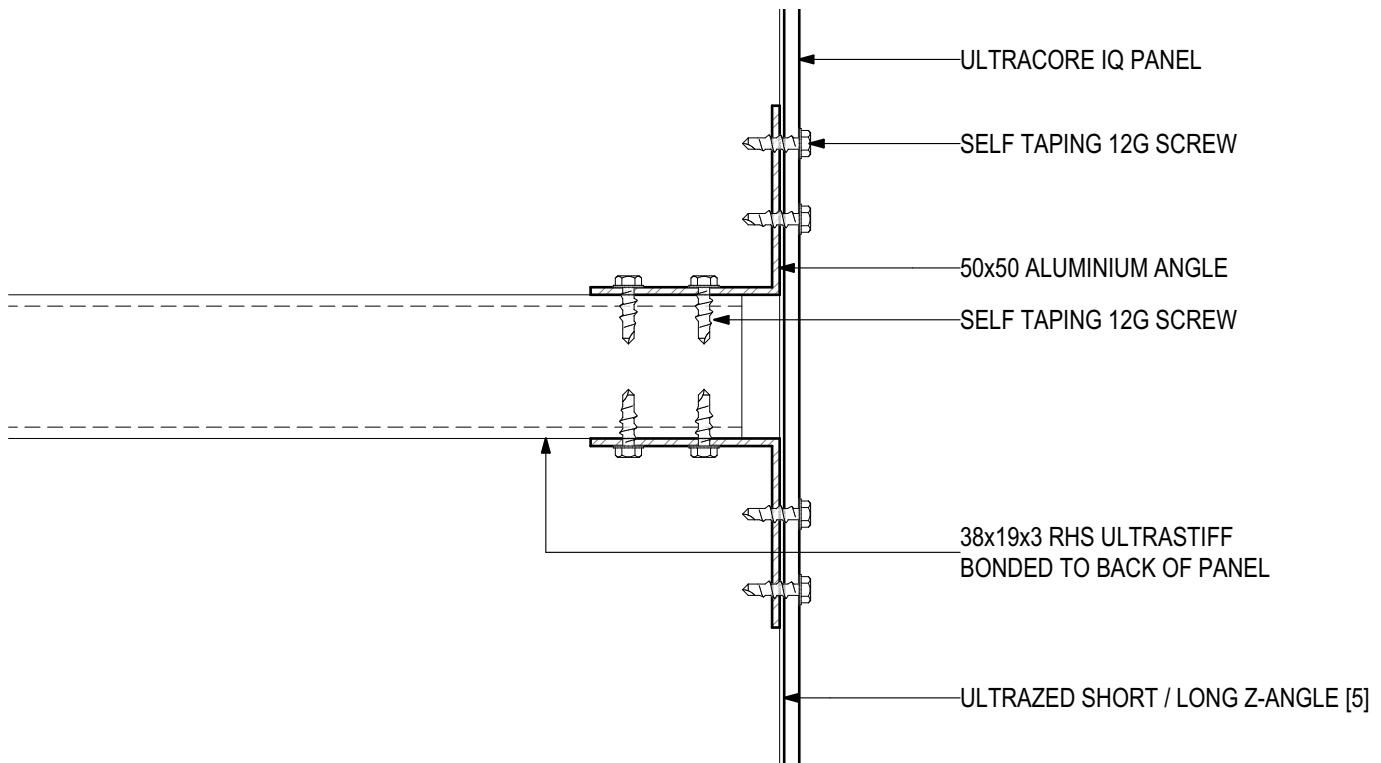


PROLASTIK SEALANT [6]





D.17 - STIFFENER CONNECTION TO EDGE RETURN (SCALE 1:2)
ULTRACORE IQ Intelligent Non-combustible Core Panel (V0922)



SYSTEM COMPONENTS

BICEP FACADE SYSTEM [1]



IROCK INSULATION [2]



FIRESPAN SARKING [3]



STUDEK TOPHAT [4]



ULTRAZED Z-ANGLES [5]



PROLASTIK SEALANT [6]

