

TECHNICAL MANUAL

RITEFRAME Steel Sub-frame System for Decking

Product Description:

RITEFRAME deck framing (Formerly Deckframe) is a heavy duty steel deck sub-framing system which can be easily used in most decking applications and offers fast, cost-effective installation and excellent long-term durability.

Termite Proof

RITEFRAME deck framing is ideal for use in areas where termites are prevalent because steel is 100% termite proof and not prone to attack like treated timber.

Non-combustible

RITEFRAME deck framing is highly recommended in all bushfire areas including BAL40 as it is made from 100% non-combustible steel components and will not burn.

Excellent Durability

RITEFRAME deck framing is far more durable than timber and it is guaranteed not to split, crack, cup, bow, warp, rot or burn even in the harshest locations.

Sizes & Profiles:

- RFS300 RITEFRAME 300mm Steel Stirrup (Concrete to Engineers specification)
- RFP909020 RITEFRAME 90 x 90mm Steel Post, 2.0m Length*
- RFB1005060 RITEFRAME 100 x 50mm Bearer, 6.0m Length*
- RFJ754560 RITEFRAME 75 x 45mm Joist, 6.0m Length*
- RFE754560 RITEFRAME 75 x 45mm Edge Joist, 6.0m Length*
- RFA757560 RITEFRAME 75 x75mm Perimetre Angle, 6.0m Length*

*Custom Lengths may be available for large projects. Subject to lead times and deposit.

Storage Onsite:

- RITEFRAME steel sub-frame profiles should be stored covered, flat and off the ground.
- Standard 6000mm long packs of RITEFRAME require a minimum of eight gluts (supports) under the pack for proper storage.

Accessories:

- GALVANISED 16mm x 10-16 Hex Head
- GALVANISED 22mm x 10-16 Wafer Screw
- RITEJACK Adjustable Decking Pedestals

Important Information:

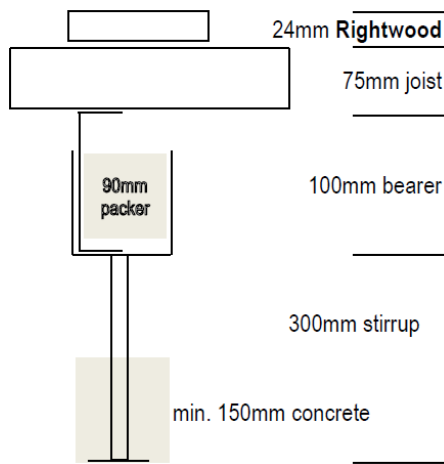
The instructions in this brochure are for illustration purposes only and are not meant to replace a licensed professional. Any construction or use of the product must be in accordance with all local zoning and/or building codes. The consumer assumes all risks and liability associated with the construction or use of this product. The consumer or contractor should take all necessary steps to ensure the safety of everyone involved in the project, including, but not limited to, wearing the appropriate safety equipment. Except as contained in a written warranty, the supplier does not provide any other warranty, either express or implied, and shall not be liable for any damages, including consequential damages.

Before You Start:

As with any building project, installing RITEFRAME turns out best when you think through the entire process in advance and familiarize yourself with the materials and their application. Please review the following tips before starting work on a RITEFRAME project. Prior to construction, check with your local council for any special building requirements in your area. For best results, follow these simple installation instructions, paying close attention to gapping, spacing and fastener requirements. Also note any relevant information contained in the Blue Chip Group Pty Ltd terms of trading.

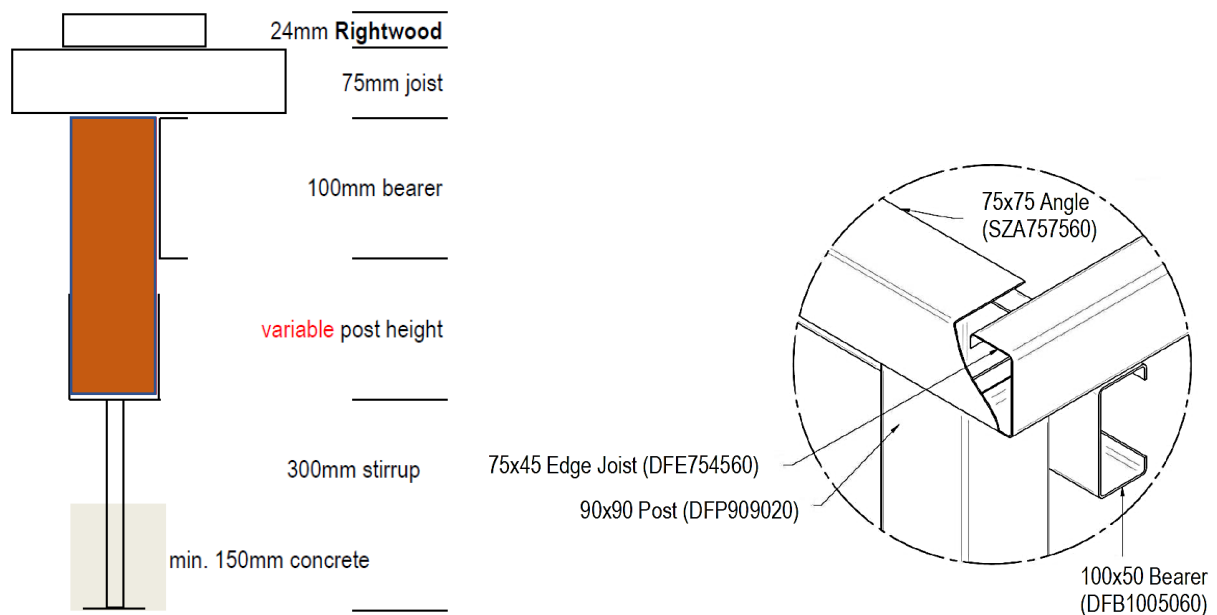
200-350mm Deck Height – Basic Detail:

No steel posts required. Cement footings, fixings, bearer and joist spacings to engineer's specifications and in accordance with project specific loading requirements;



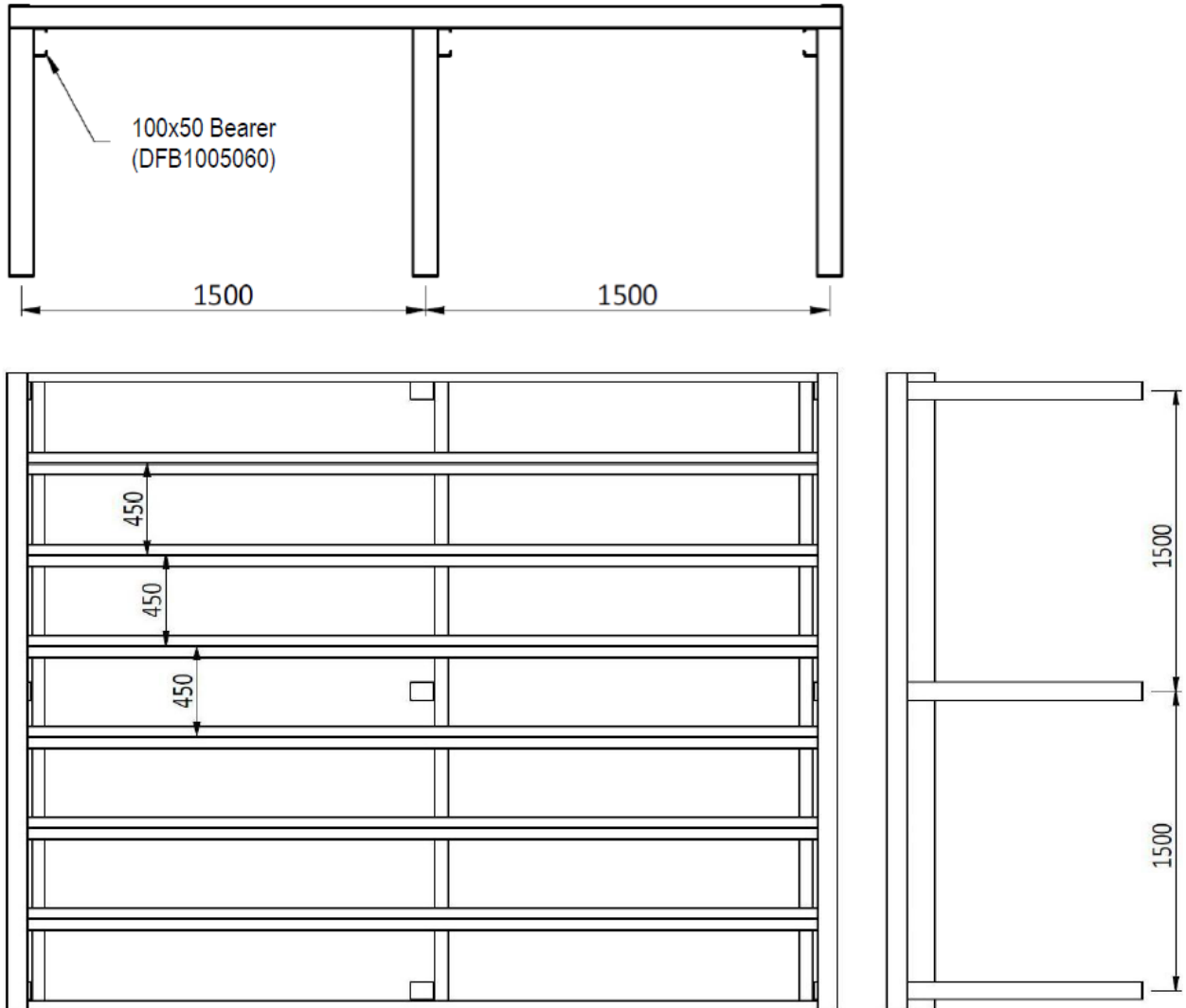
355mm Upwards Deck Height – Basic Detail:

Using steel posts up to 2.0m. Cement footings, fixings, bearer and joist spacings to engineer's specifications and in accordance with project specific loading requirements;



Typical Spacings for 3kpa Structural Load Rating:

Cement footings, fixings, bearer and joist spacings to engineer's specifications and in accordance with project specific loading requirements;

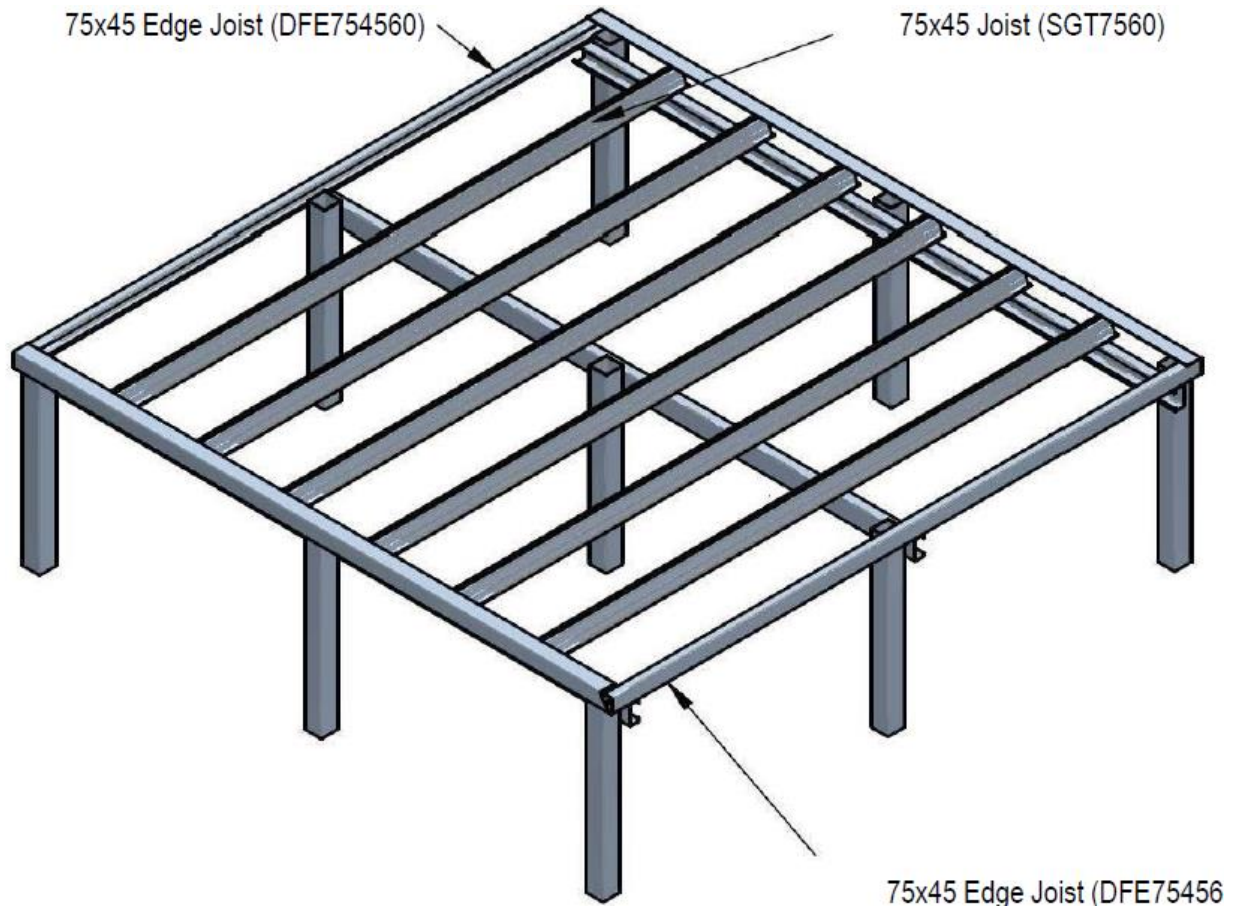


Important Information:

The instructions in this brochure are for illustration purposes only and are not meant to replace a licensed professional. Any construction or use of the product must be in accordance with all local zoning and/or building codes. The consumer assumes all risks and liability associated with the construction or use of this product. The consumer or contractor should take all necessary steps to ensure the safety of everyone involved in the project, including, but not limited to, wearing the appropriate safety equipment. Except as contained in a written warranty, the supplier does not provide any other warranty, either express or implied, and shall not be liable for any damages, including consequential damages.

Typical 3D Detail for 3kpa Structural Load Rating:

Cement footings, fixings, bearer and joist spacings to engineer's specifications and in accordance with project specific loading requirements;



Typical Schematic Drawing for 3kpa Structural Load Rating:

