

ULTRAWOOD Non-combustible Timber Cladding (V0920) UW-GR-CSF Concealed Screw Fix (Soffit Installation)

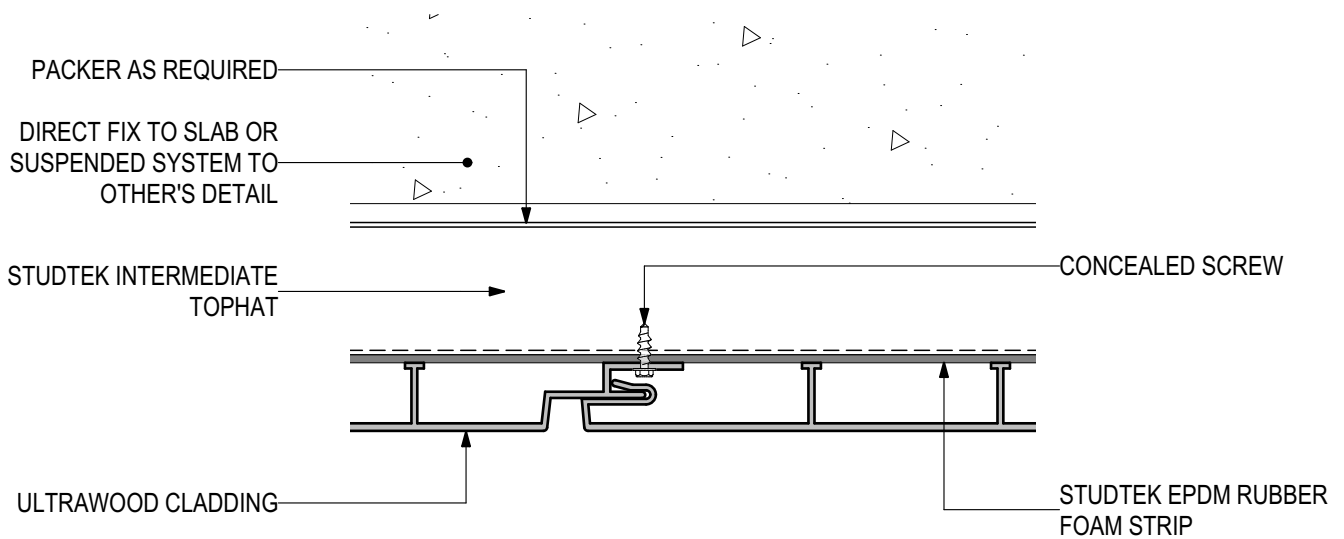


INSTALLATION DETAILS

Disclaimer: These details are general design details for use as a guide. Any use is at the user's own discretion and risk. All detailing and installation should be in accordance with all the relevant codes and standards as per current NCC requirements.

Blue Chip Group Pty Ltd
1300 945 123
sales@bluechipgroup.net.au
www.bluechipgroup.net.au

ULTRAWOOD Non-combustible Timber Cladding (V0920) UW-GR-CSF Concealed Screw Fix (Soffit Installation)



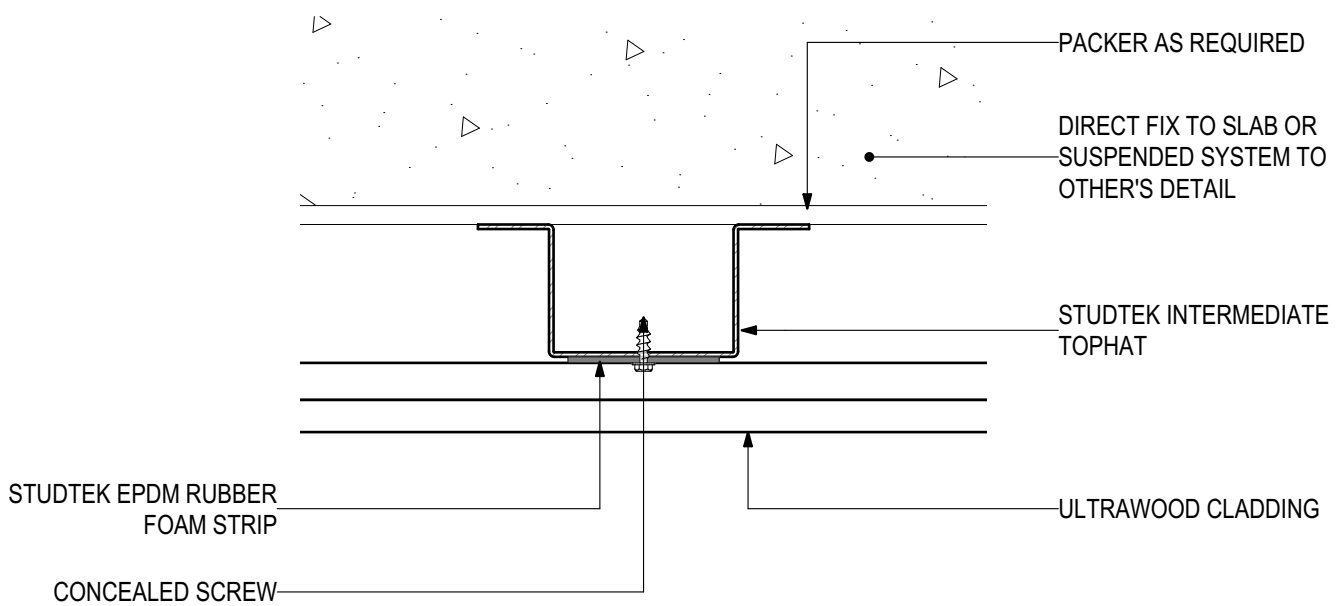
D.01 - TYPICAL DETAIL - IN DIRECTION OF CLADDING

SCALE 1:2

Disclaimer: These details are general design details for use as a guide. Any use is at the user's own discretion and risk. All detailing and installation should be in accordance with all the relevant codes and standards as per current NCC requirements.

Blue Chip Group Pty Ltd
1300 945 123
sales@bluechipgroup.net.au
www.bluechipgroup.net.au

ULTRAWOOD Non-combustible Timber Cladding (V0920) UW-GR-CSF Concealed Screw Fix (Soffit Installation)



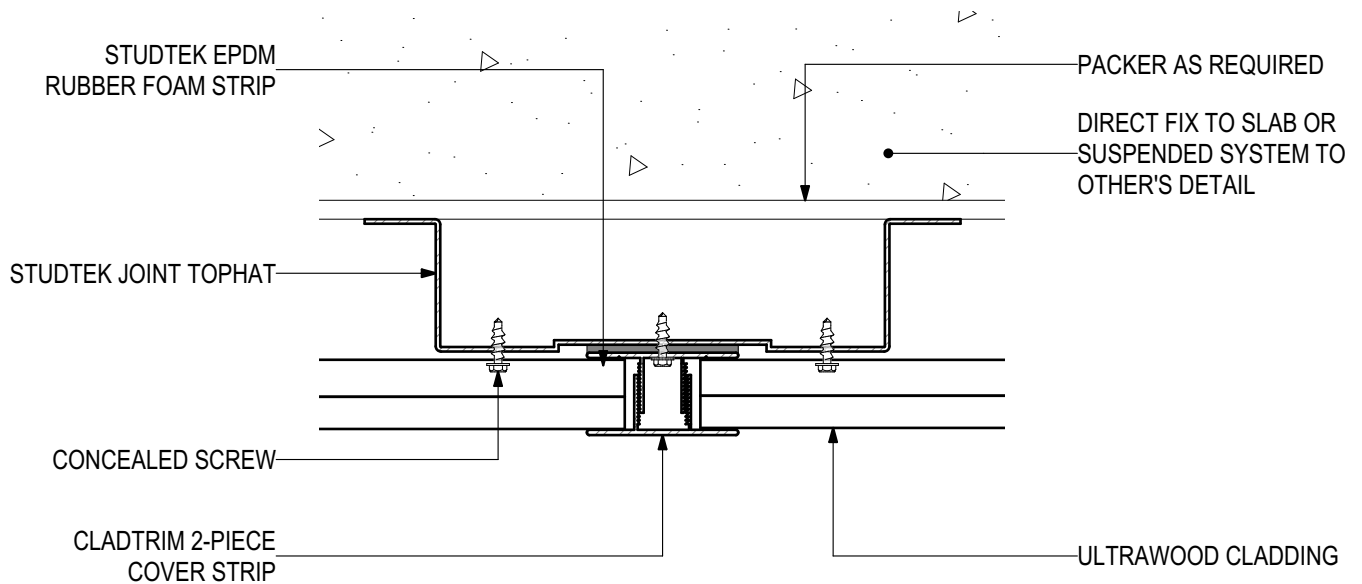
D.02 - TYPICAL DETAIL - PERPENDICULAR TO CLADDING

SCALE 1:2

Disclaimer: These details are general design details for use as a guide. Any use is at the user's own discretion and risk. All detailing and installation should be in accordance with all the relevant codes and standards as per current NCC requirements.

Blue Chip Group Pty Ltd
1300 945 123
sales@bluechipgroup.net.au
www.bluechipgroup.net.au

ULTRAWOOD Non-combustible Timber Cladding (V0920) UW-GR-CSF Concealed Screw Fix (Soffit Installation)



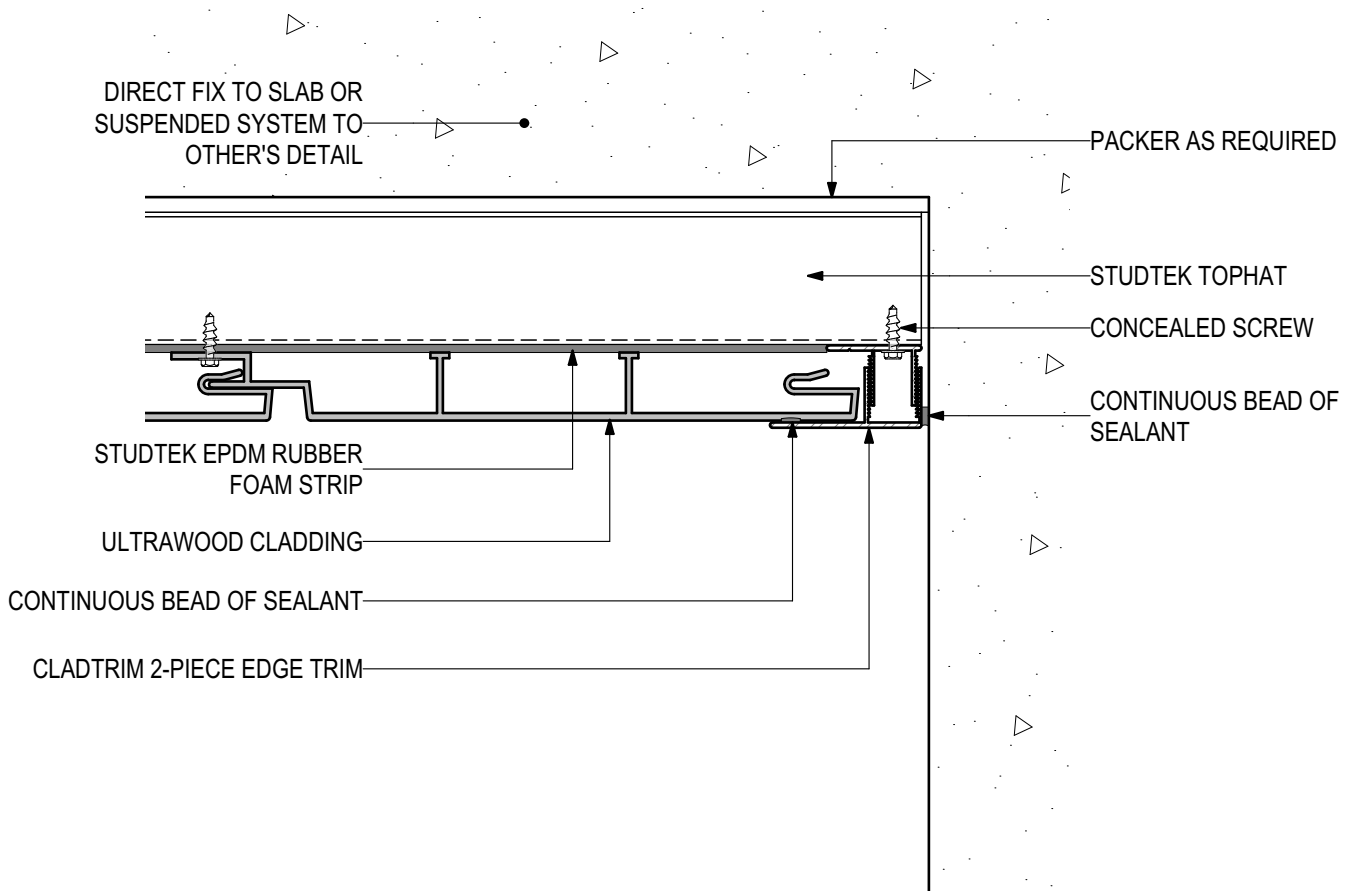
D.03 - BUTT JOINT DETAIL

SCALE 1:2

Disclaimer: These details are general design details for use as a guide. Any use is at the user's own discretion and risk. All detailing and installation should be in accordance with all the relevant codes and standards as per current NCC requirements.

Blue Chip Group Pty Ltd
1300 945 123
sales@bluechipgroup.net.au
www.bluechipgroup.net.au

ULTRAWOOD Non-combustible Timber Cladding (V0920) UW-GR-CSF Concealed Screw Fix (Soffit Installation)



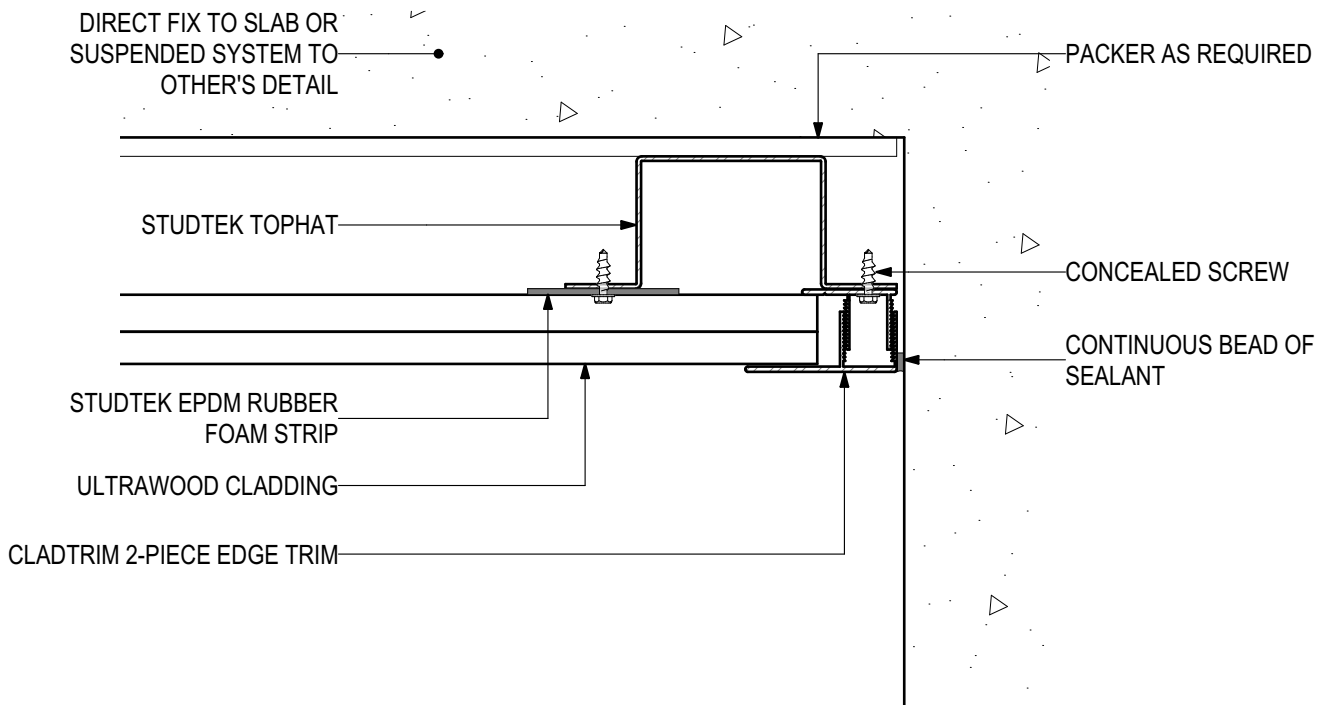
D.04 - FLUSH ABUTMENT DETAIL - IN DIRECTION OF CLADDING

SCALE 1:2

Disclaimer: These details are general design details for use as a guide. Any use is at the user's own discretion and risk. All detailing and installation should be in accordance with all the relevant codes and standards as per current NCC requirements.

Blue Chip Group Pty Ltd
1300 945 123
sales@bluechipgroup.net.au
www.bluechipgroup.net.au

ULTRAWOOD Non-combustible Timber Cladding (V0920) UW-GR-CSF Concealed Screw Fix (Soffit Installation)



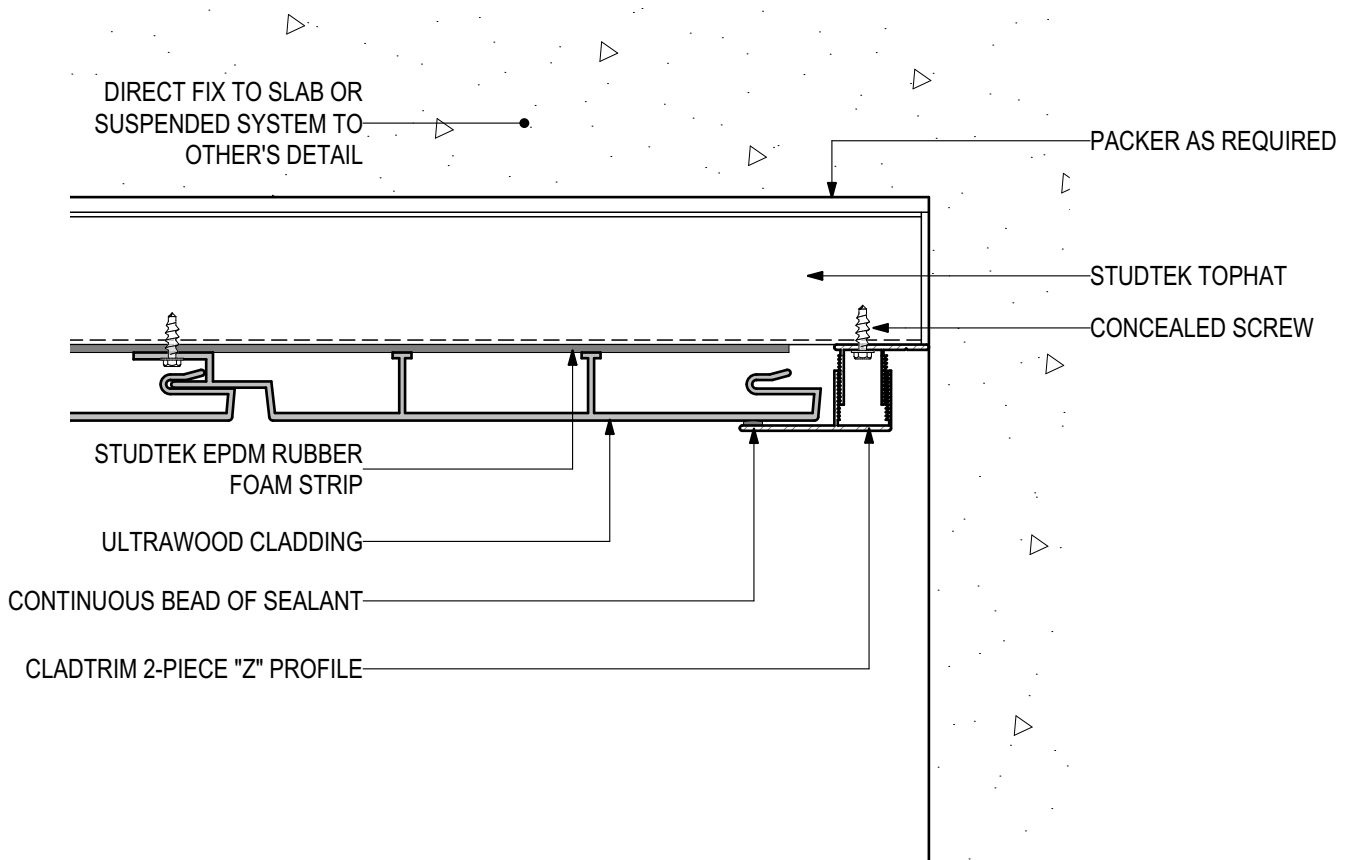
D.05 - FLUSH ABUTMENT DETAIL - PERPENDICULAR TO CLADDING

SCALE 1:2

Disclaimer: These details are general design details for use as a guide. Any use is at the user's own discretion and risk. All detailing and installation should be in accordance with all the relevant codes and standards as per current NCC requirements.

Blue Chip Group Pty Ltd
1300 945 123
sales@bluechipgroup.net.au
www.bluechipgroup.net.au

ULTRAWOOD Non-combustible Timber Cladding (V0920) UW-GR-CSF Concealed Screw Fix (Soffit Installation)



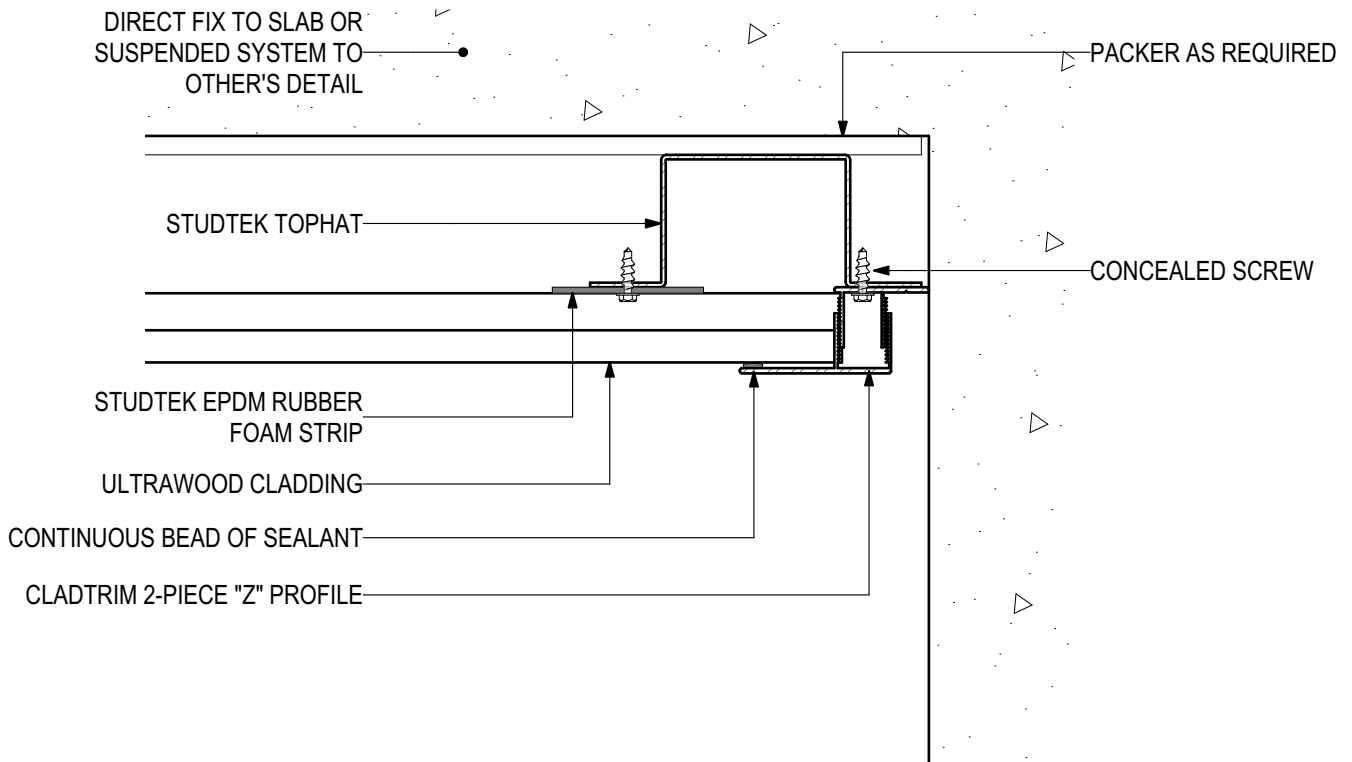
D.06 - NEGATIVE ABUTMENT DETAIL - IN DIRECTION OF CLADDING

SCALE 1:2

Disclaimer: These details are general design details for use as a guide. Any use is at the user's own discretion and risk. All detailing and installation should be in accordance with all the relevant codes and standards as per current NCC requirements.

Blue Chip Group Pty Ltd
1300 945 123
sales@bluechipgroup.net.au
www.bluechipgroup.net.au

ULTRAWOOD Non-combustible Timber Cladding (V0920) UW-GR-CSF Concealed Screw Fix (Soffit Installation)



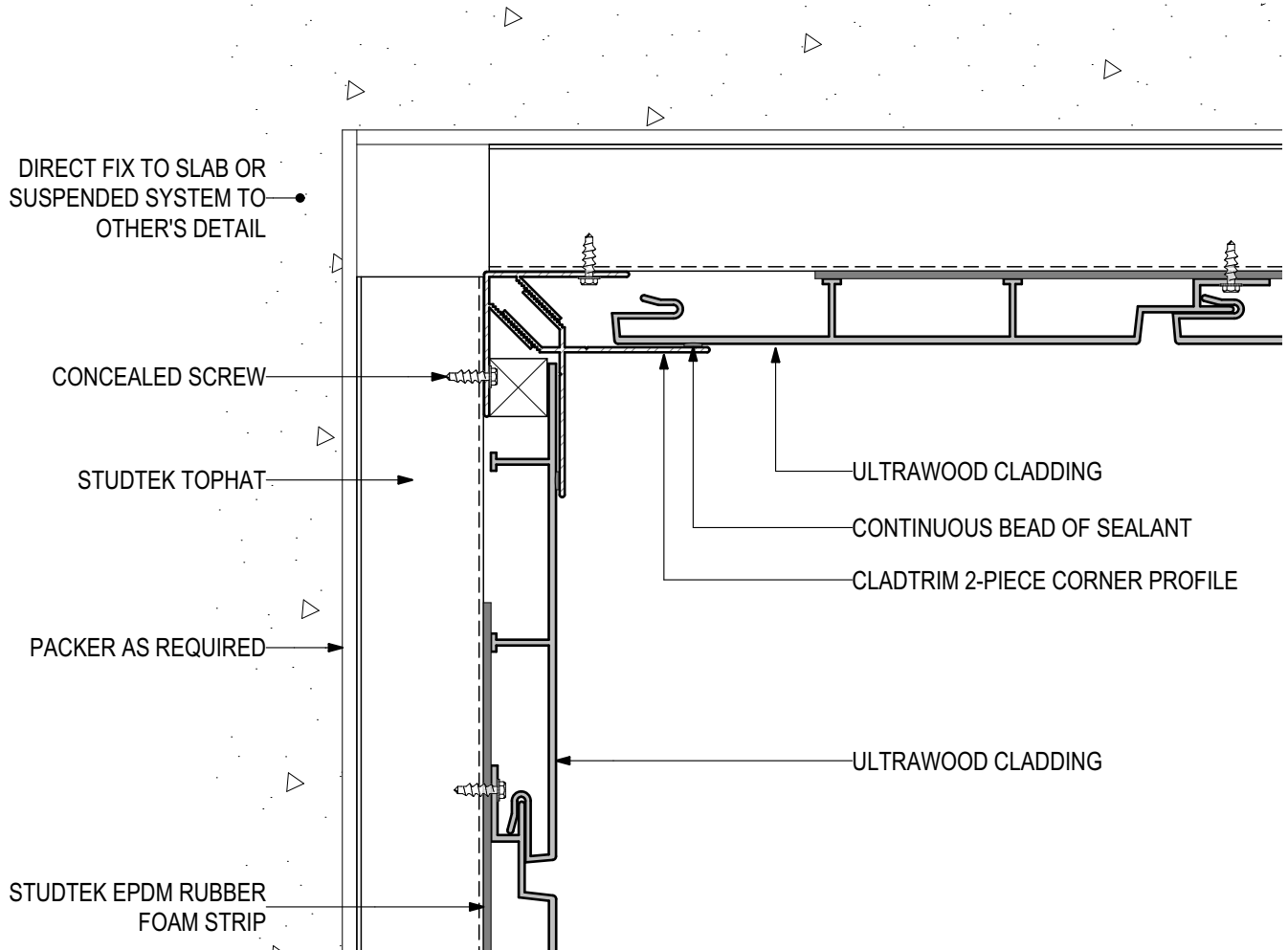
D.07 - NEGATIVE ABUTMENT DETAIL - PERPENDICULAR TO CLADDING

SCALE 1:2

Disclaimer: These details are general design details for use as a guide. Any use is at the user's own discretion and risk. All detailing and installation should be in accordance with all the relevant codes and standards as per current NCC requirements.

Blue Chip Group Pty Ltd
1300 945 123
sales@bluechipgroup.net.au
www.bluechipgroup.net.au

ULTRAWOOD Non-combustible Timber Cladding (V0920) UW-GR-CSF Concealed Screw Fix (Soffit Installation)



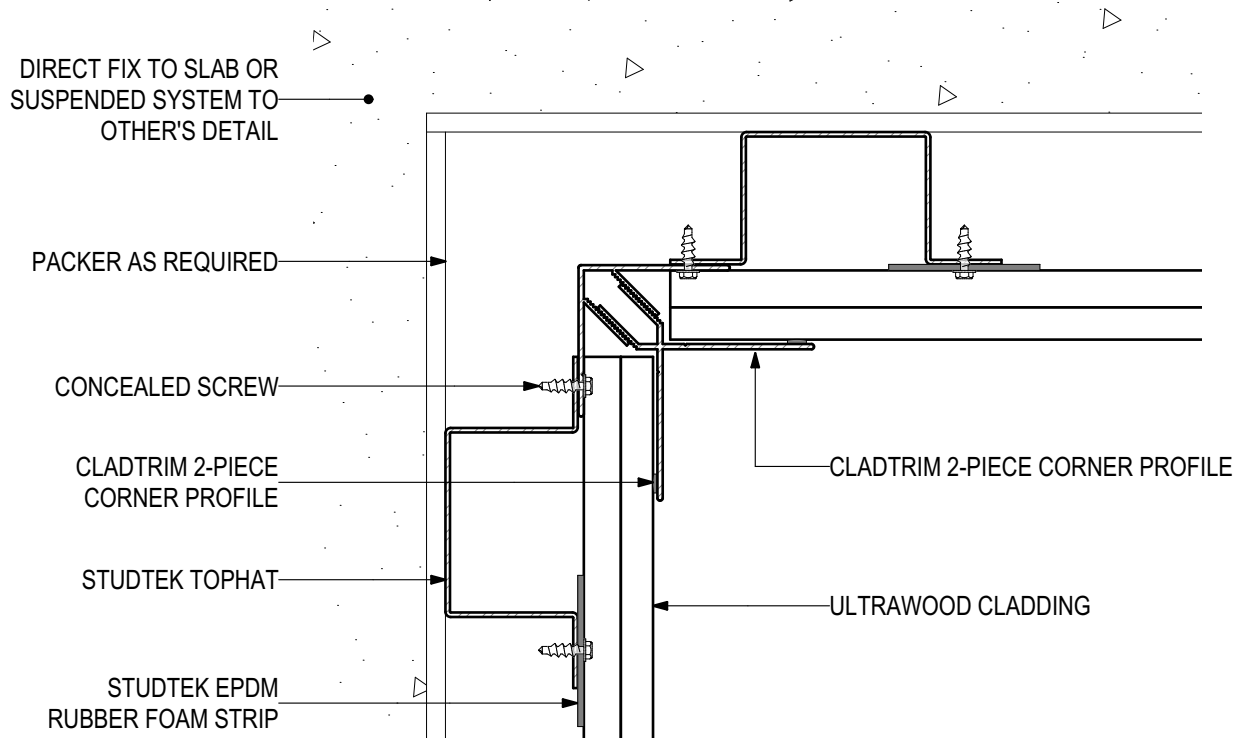
D.08 - SOFFIT TO WALL DETAIL - IN DIRECTION OF CLADDING

SCALE 1:2

Disclaimer: These details are general design details for use as a guide. Any use is at the user's own discretion and risk. All detailing and installation should be in accordance with all the relevant codes and standards as per current NCC requirements.

Blue Chip Group Pty Ltd
1300 945 123
sales@bluechipgroup.net.au
www.bluechipgroup.net.au

ULTRAWOOD Non-combustible Timber Cladding (V0920) UW-GR-CSF Concealed Screw Fix (Soffit Installation)



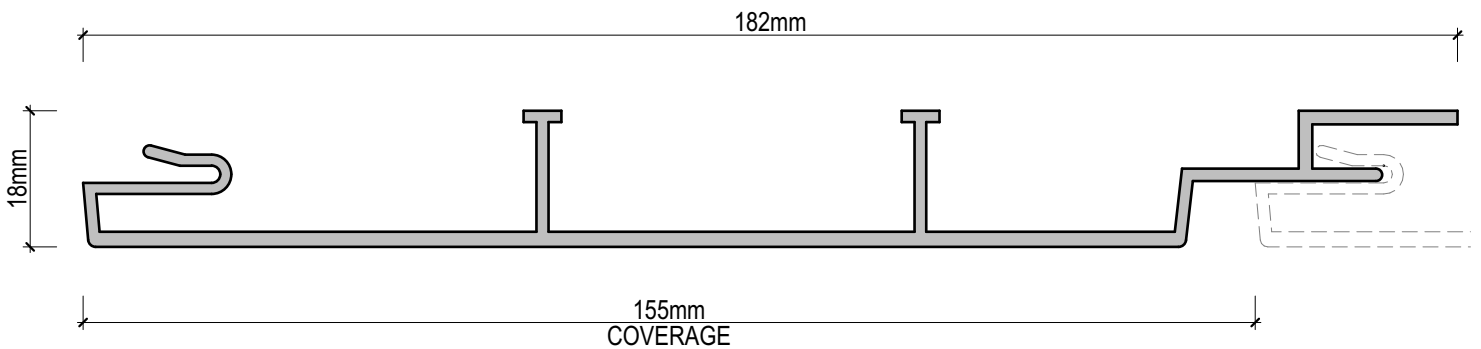
D.09 - SOFFIT TO WALL DETAIL - PERPENDICULAR TO CLADDING

SCALE 1:2

Disclaimer: These details are general design details for use as a guide. Any use is at the user's own discretion and risk. All detailing and installation should be in accordance with all the relevant codes and standards as per current NCC requirements.

Blue Chip Group Pty Ltd
1300 945 123
sales@bluechipgroup.net.au
www.bluechipgroup.net.au

ULTRAWOOD Non-combustible Timber Cladding (V0920)
UW-GR-CSF Concealed Screw Fix (Soffit Installation)



ULTRAWOOD - ULTRAWOOD PROFILE (UWG155)

SCALE 1:1

Disclaimer: These details are general design details for use as a guide. Any use is at the user's own discretion and risk. All detailing and installation should be in accordance with all the relevant codes and standards as per current NCC requirements.

Blue Chip Group Pty Ltd
1300 945 123
sales@bluechipgroup.net.au
www.bluechipgroup.net.au