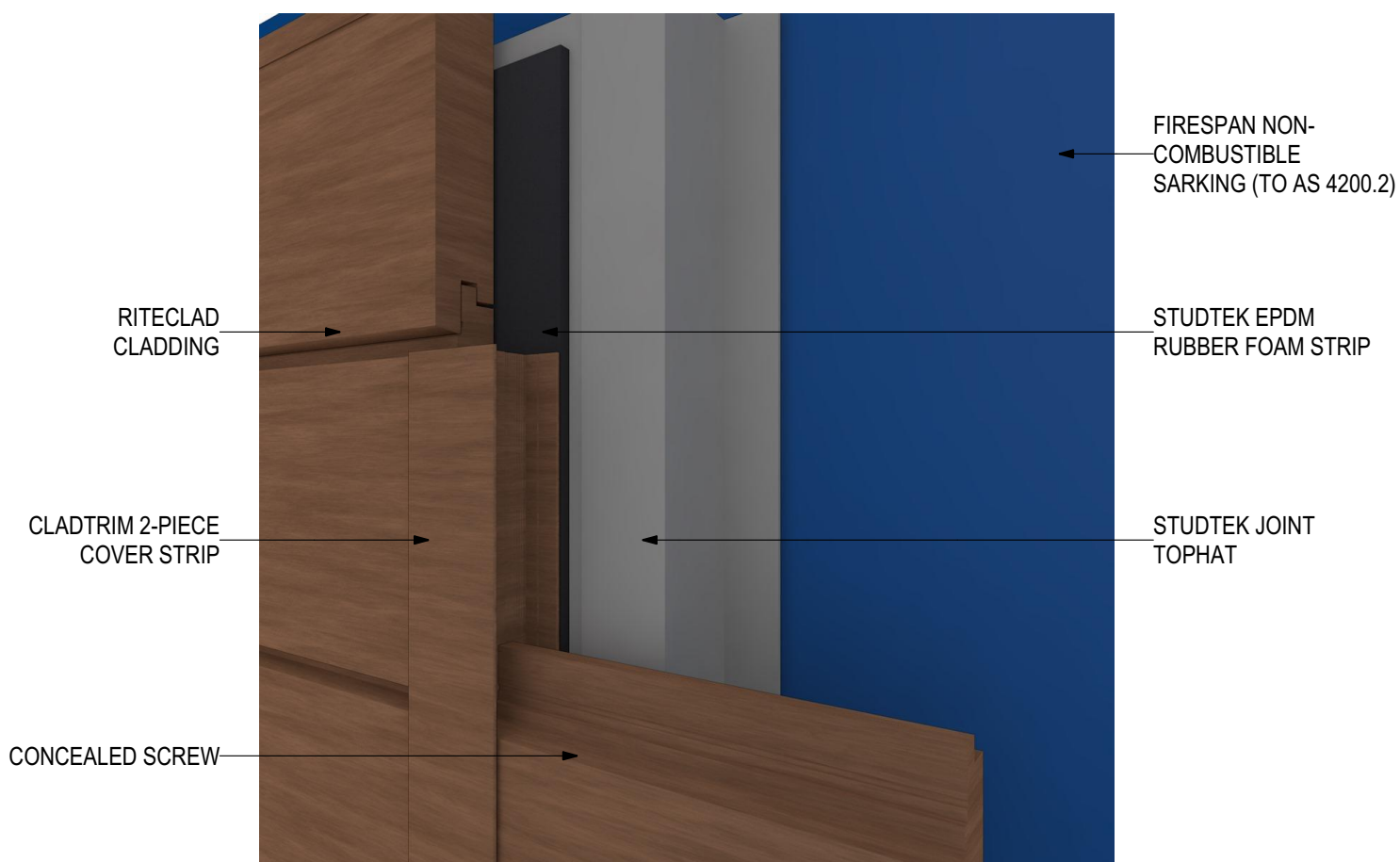


# RITECLAD Through-colour Composite Cladding (V0120) RC-24-CSF Concealed Screw Fix

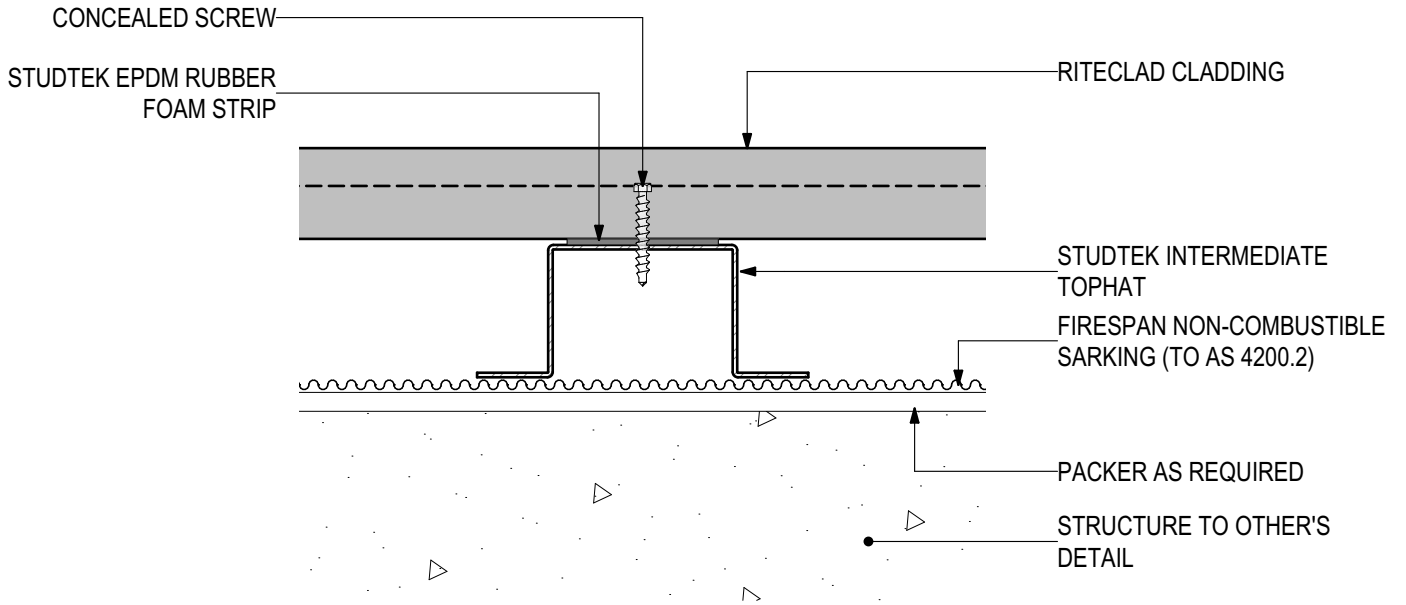


## INSTALLATION DETAILS

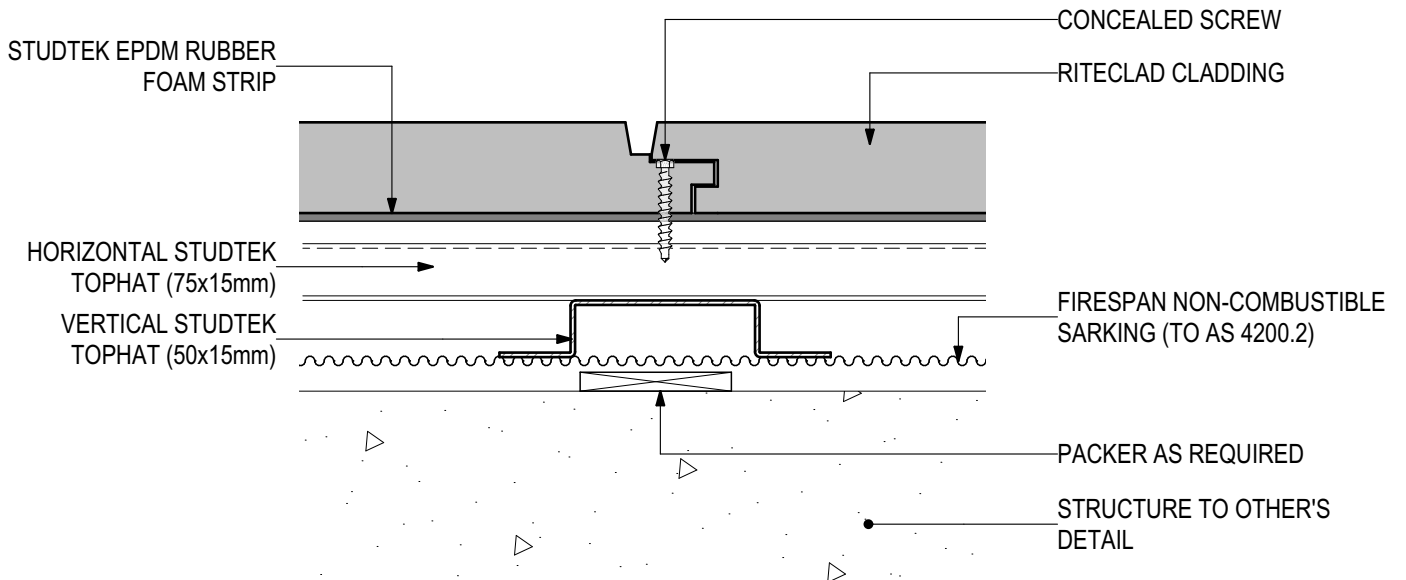
Disclaimer: These details are general design details for use as a guide. Any use is at the user's own discretion and risk. All detailing and installation should be in accordance with all the relevant codes and standards as per current NCC requirements.

**Blue Chip Group Pty Ltd**  
P: 08 9451 2344  
F: 08 9451 8983  
E: [sales@bluechipgroup.net.au](mailto:sales@bluechipgroup.net.au)

# RITECLAD Through-colour Composite Cladding (V0120) RC-24-CSF Concealed Screw Fix



**HORIZONTAL PANEL ARRANGEMENT**



**VERTICAL PANEL ARRANGEMENT**

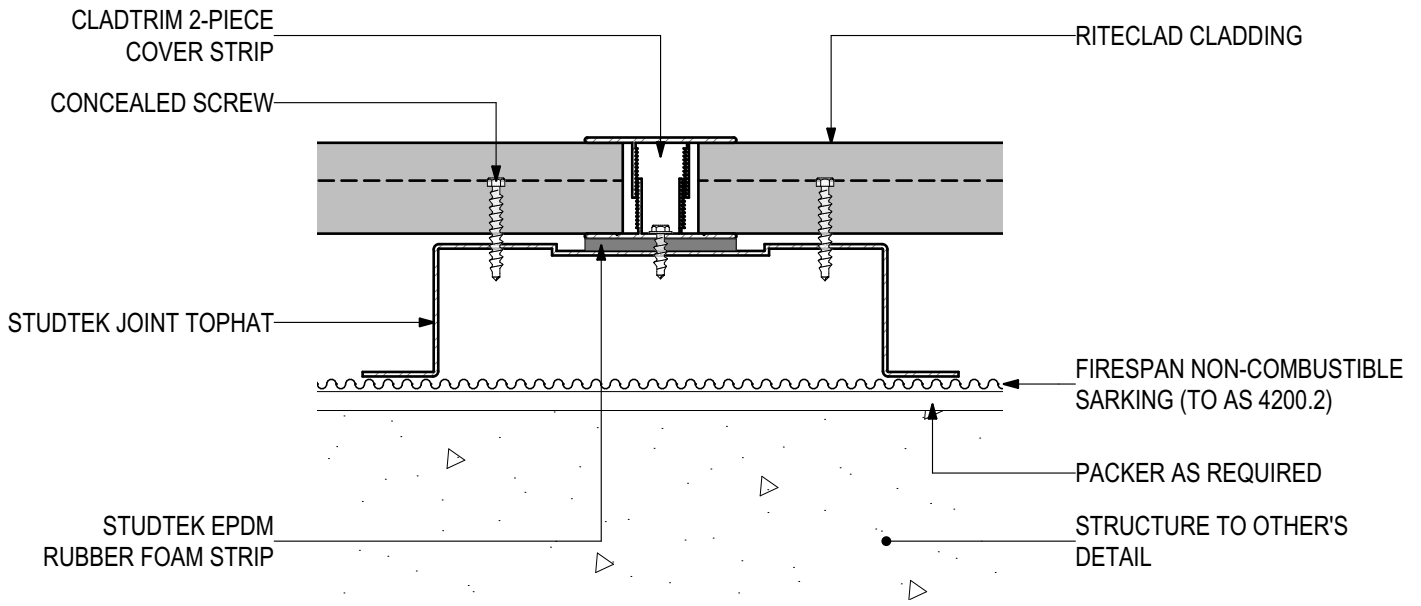
## D.01 - TYPICAL FIXING DETAILS

SCALE 1:2

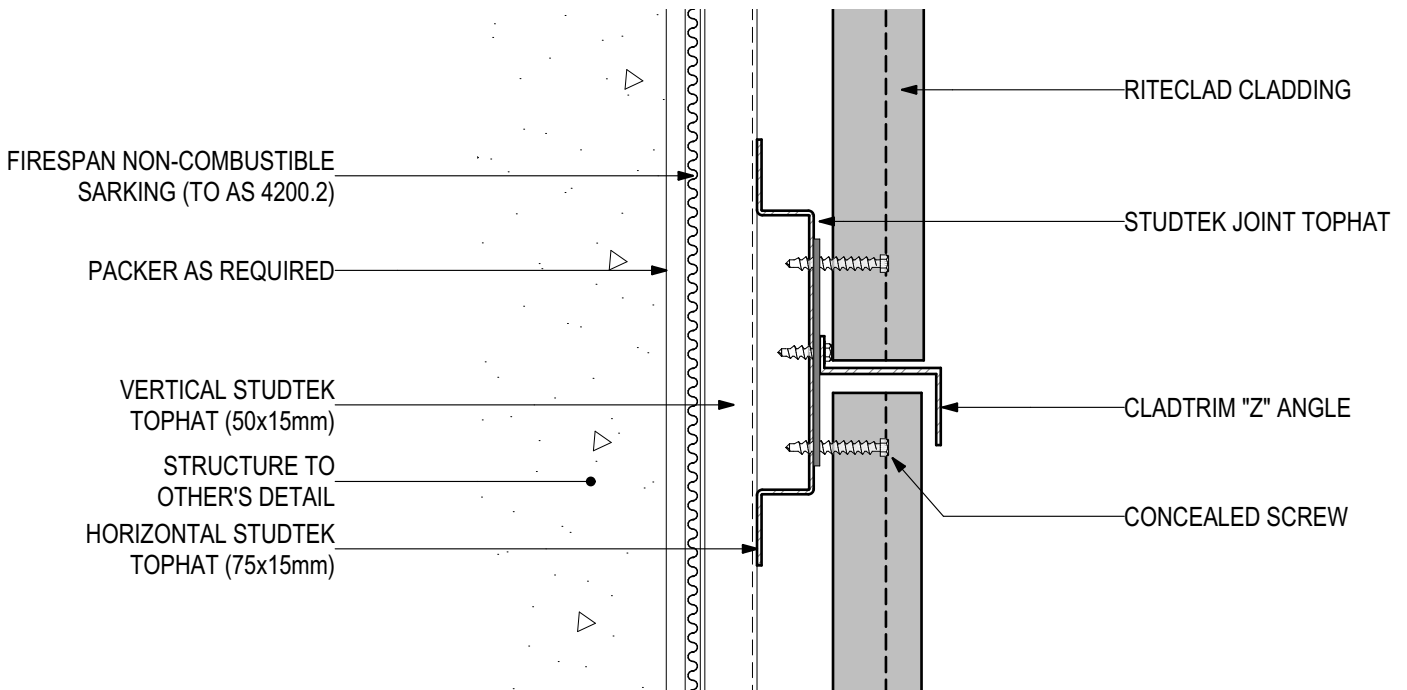
Disclaimer: These details are general design details for use as a guide. Any use is at the user's own discretion and risk. All detailing and installation should be in accordance with all the relevant codes and standards as per current NCC requirements.

**Blue Chip Group Pty Ltd**  
P: 08 9451 2344  
F: 08 9451 8983  
E: sales@bluechipgroup.net.au

# RITECLAD Through-colour Composite Cladding (V0120) RC-24-CSF Concealed Screw Fix



**HORIZONTAL CLADDING JOINT**



**VERTICAL CLADDING JOINT**

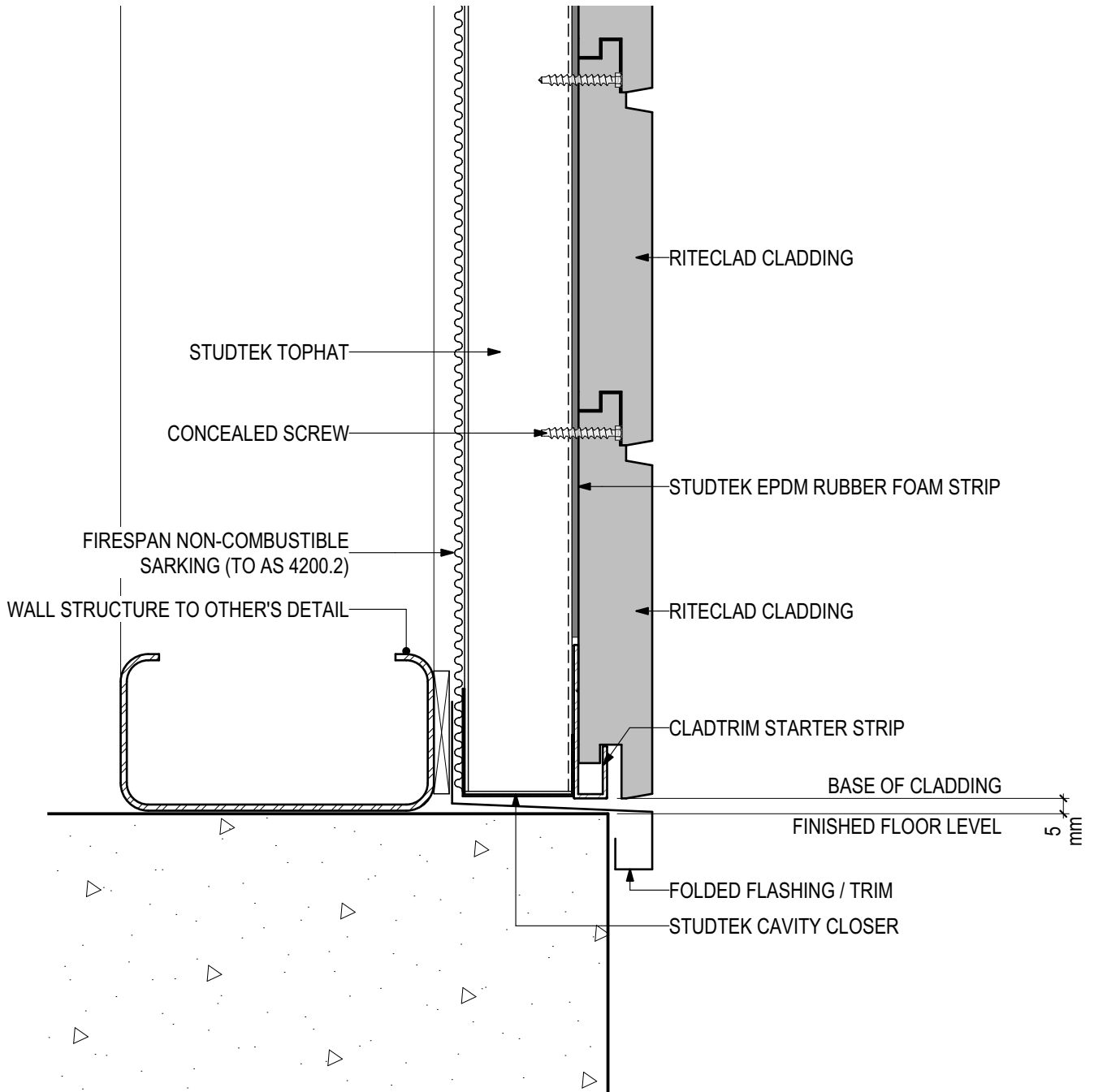
## D.02 - JOINT DETAILS

SCALE 1:2

Disclaimer: These details are general design details for use as a guide. Any use is at the user's own discretion and risk. All detailing and installation should be in accordance with all the relevant codes and standards as per current NCC requirements.

**Blue Chip Group Pty Ltd**  
P: 08 9451 2344  
F: 08 9451 8983  
E: sales@bluechipgroup.net.au

# RITECLAD Through-colour Composite Cladding (V0120) RC-24-CSF Concealed Screw Fix



## D.03 - BASE DETAIL

SCALE 1:2

Disclaimer: These details are general design details for use as a guide. Any use is at the user's own discretion and risk. All detailing and installation should be in accordance with all the relevant codes and standards as per current NCC requirements.

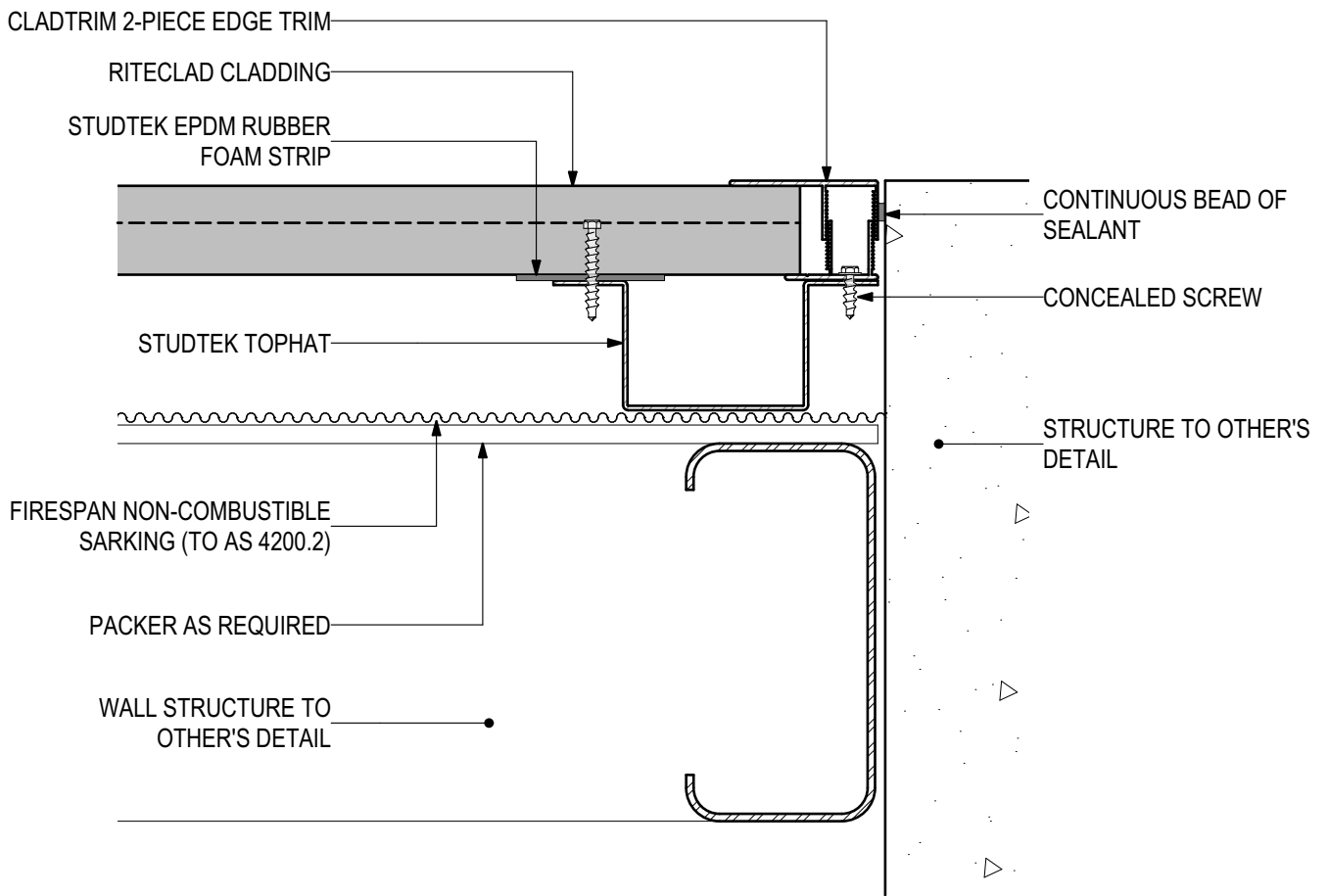
**Blue Chip Group Pty Ltd**

P: 08 9451 2344

F: 08 9451 8983

E: sales@bluechipgroup.net.au

# RITECLAD Through-colour Composite Cladding (V0120) RC-24-CSF Concealed Screw Fix



## D.04 - WALL ABUTMENT

SCALE 1:2

Disclaimer: These details are general design details for use as a guide. Any use is at the user's own discretion and risk. All detailing and installation should be in accordance with all the relevant codes and standards as per current NCC requirements.

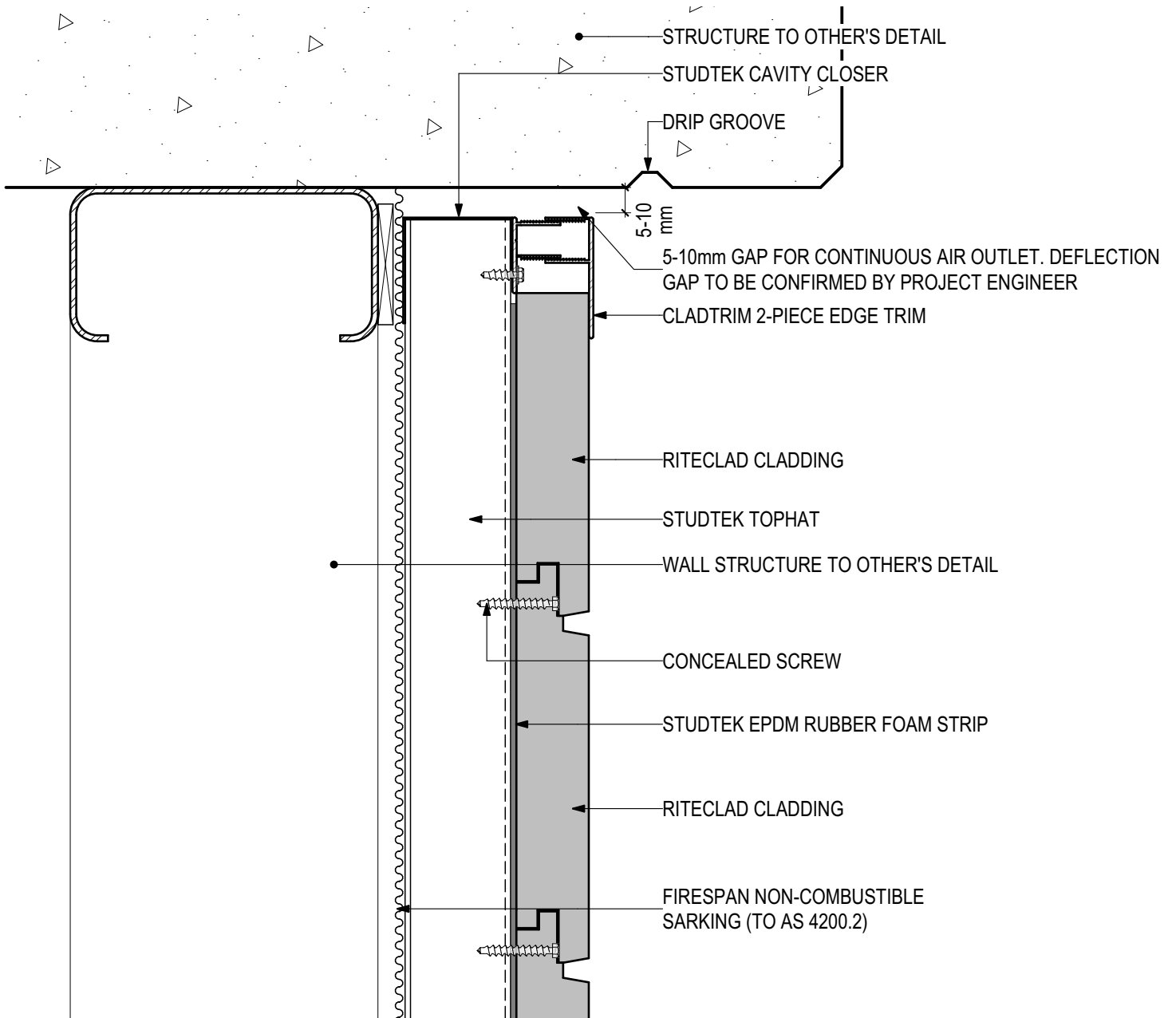
**Blue Chip Group Pty Ltd**

P: 08 9451 2344

F: 08 9451 8983

E: sales@bluechipgroup.net.au

# RITECLAD Through-colour Composite Cladding (V0120) RC-24-CSF Concealed Screw Fix



## D.05 - HEAD AT SLAB

SCALE 1:2

Disclaimer: These details are general design details for use as a guide. Any use is at the user's own discretion and risk. All detailing and installation should be in accordance with all the relevant codes and standards as per current NCC requirements.

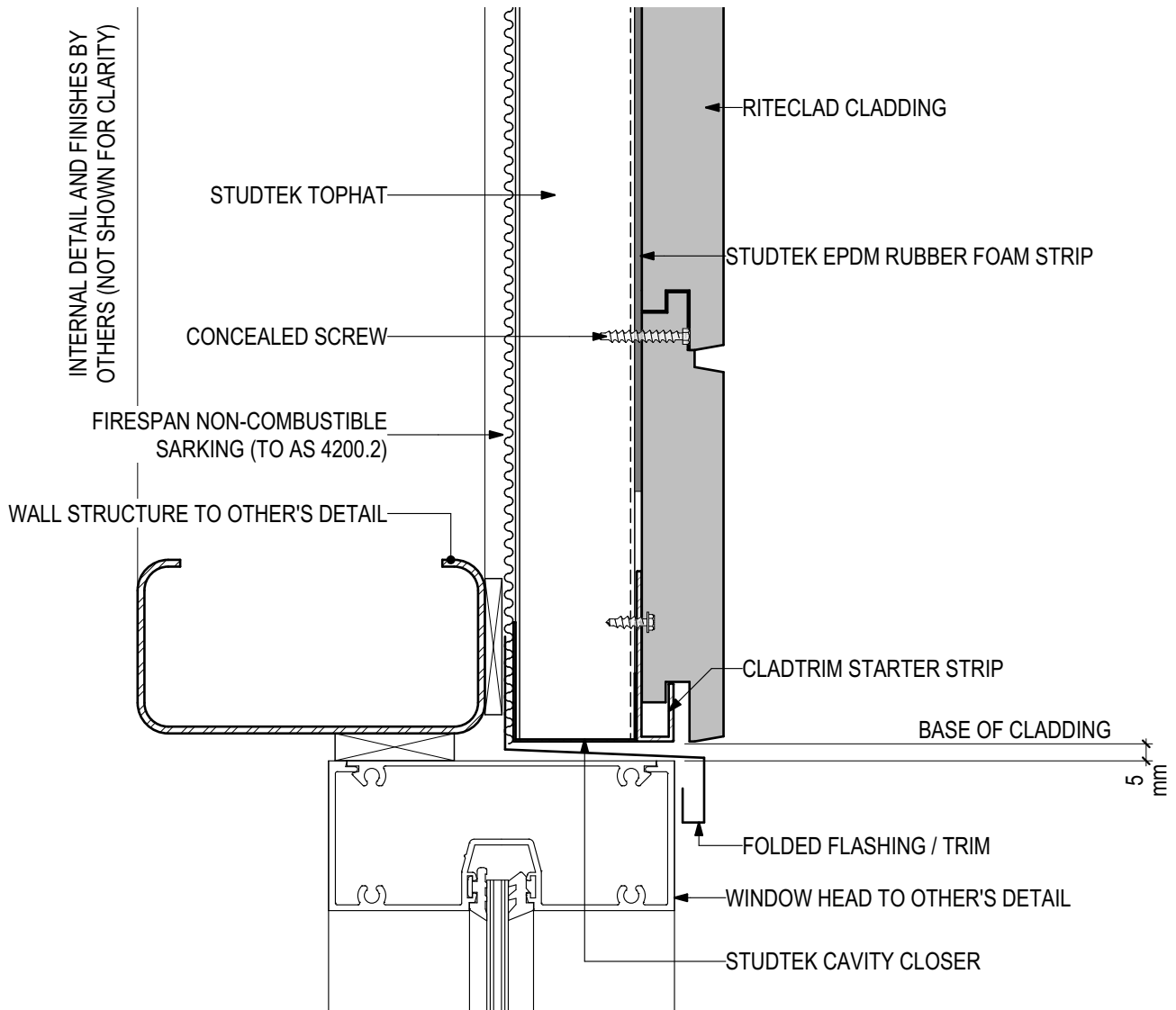
**Blue Chip Group Pty Ltd**

P: 08 9451 2344

F: 08 9451 8983

E: sales@bluechipgroup.net.au

# RITECLAD Through-colour Composite Cladding (V0120) RC-24-CSF Concealed Screw Fix



## D.06 - WINDOW HEAD

SCALE 1:2

Disclaimer: These details are general design details for use as a guide. Any use is at the user's own discretion and risk. All detailing and installation should be in accordance with all the relevant codes and standards as per current NCC requirements.

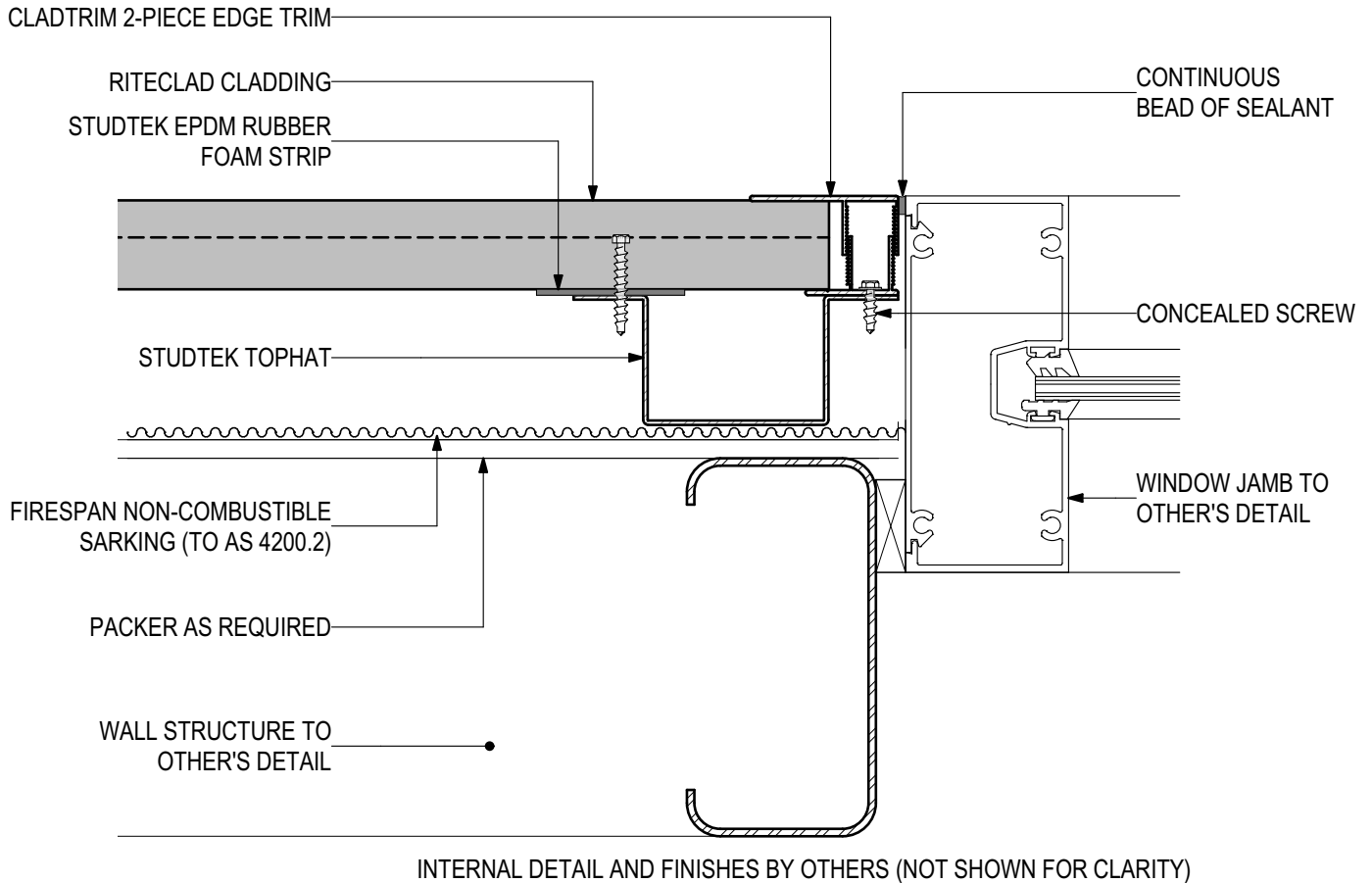
**Blue Chip Group Pty Ltd**

P: 08 9451 2344

F: 08 9451 8983

E: sales@bluechipgroup.net.au

# RITECLAD Through-colour Composite Cladding (V0120) RC-24-CSF Concealed Screw Fix



## D.07 - WINDOW JAMB

SCALE 1:2

Disclaimer: These details are general design details for use as a guide. Any use is at the user's own discretion and risk. All detailing and installation should be in accordance with all the relevant codes and standards as per current NCC requirements.

**Blue Chip Group Pty Ltd**

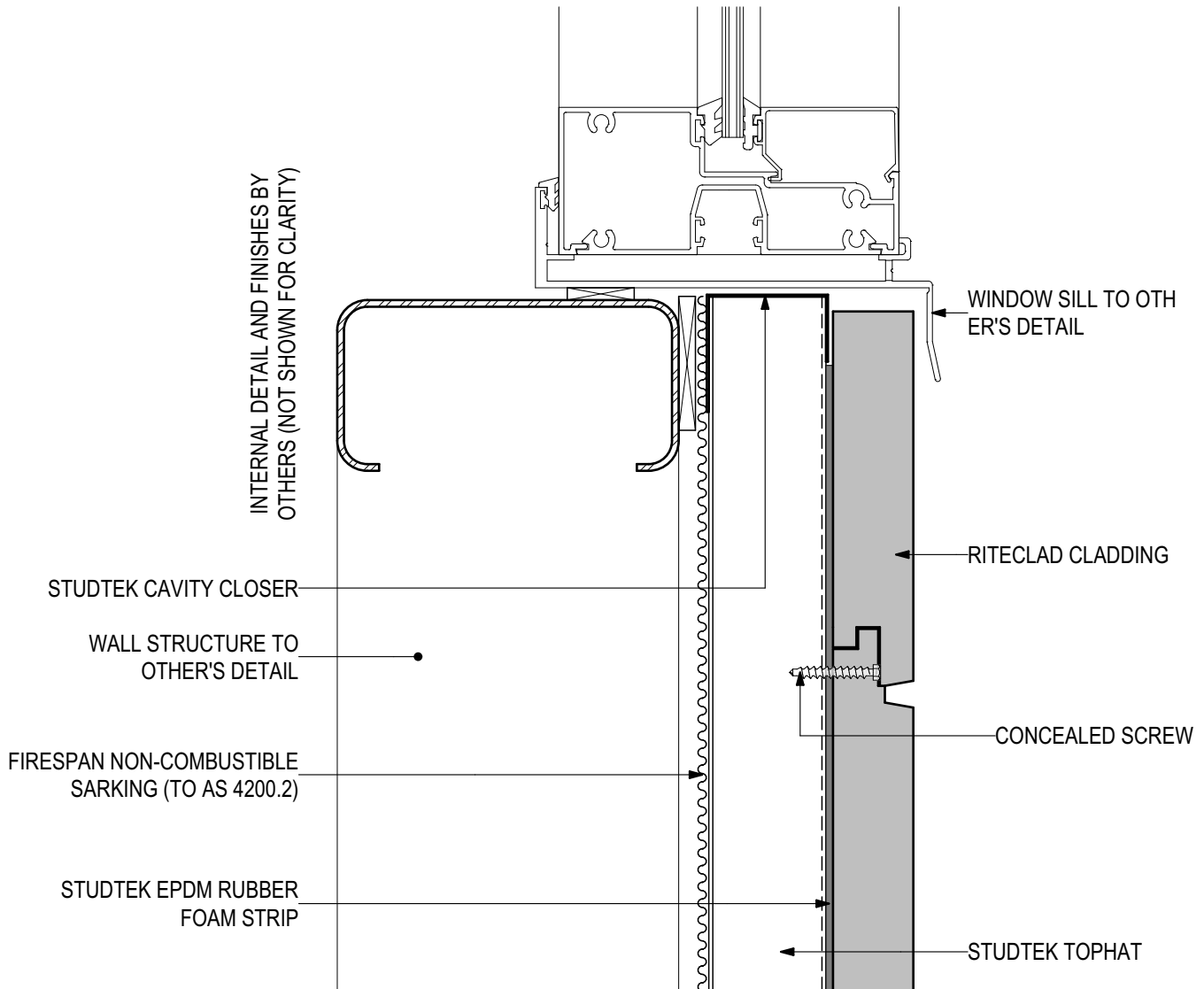
P: 08 9451 2344

F: 08 9451 8983

E: sales@bluechipgroup.net.au



# RITECLAD Through-colour Composite Cladding (V0120) RC-24-CSF Concealed Screw Fix



## D.08 - WINDOW SILL

SCALE 1:2

Disclaimer: These details are general design details for use as a guide. Any use is at the user's own discretion and risk. All detailing and installation should be in accordance with all the relevant codes and standards as per current NCC requirements.

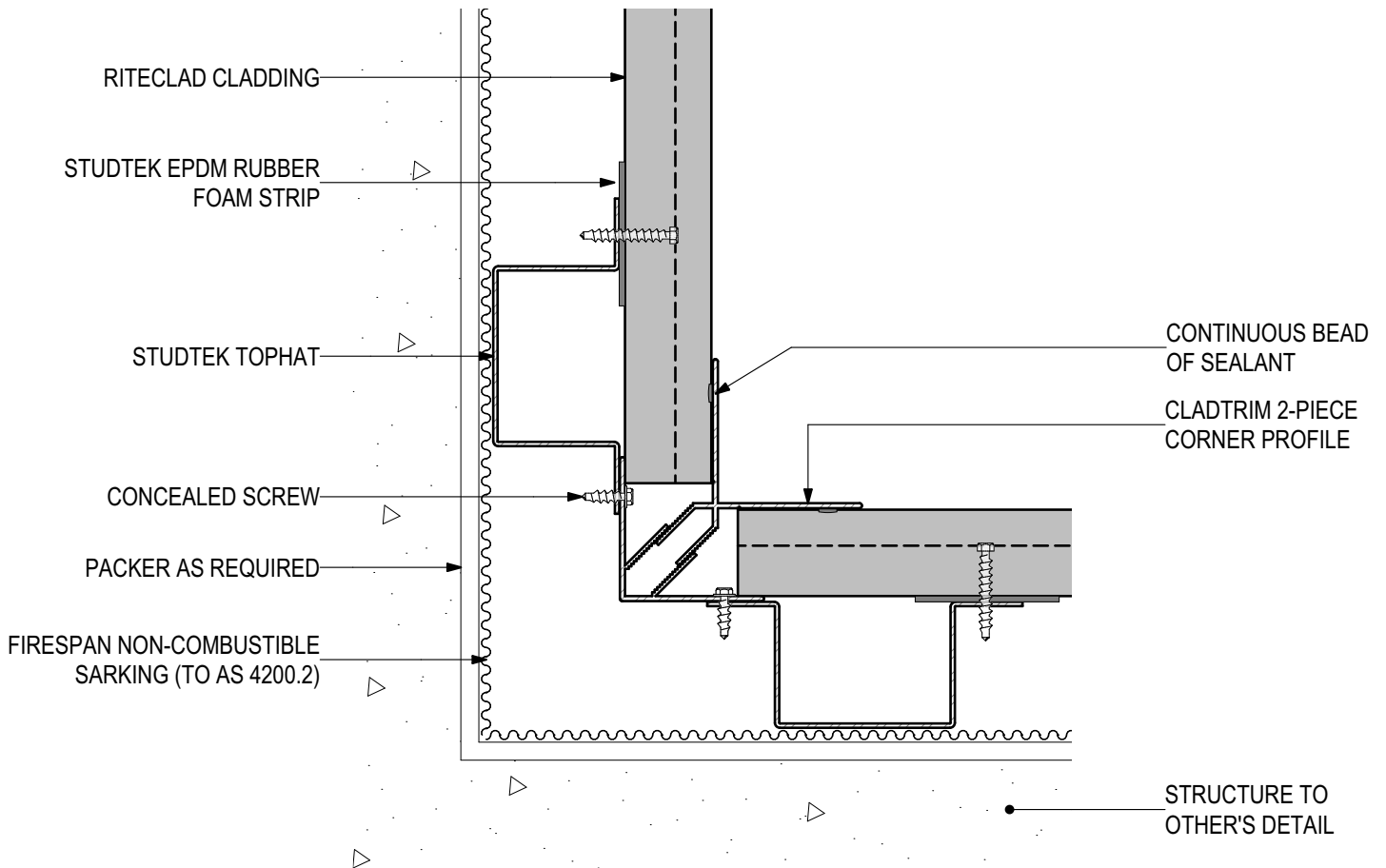
**Blue Chip Group Pty Ltd**

P: 08 9451 2344

F: 08 9451 8983

E: sales@bluechipgroup.net.au

# RITECLAD Through-colour Composite Cladding (V0120) RC-24-CSF Concealed Screw Fix



## D.09 - INTERNAL CORNER

SCALE 1:2

Disclaimer: These details are general design details for use as a guide. Any use is at the user's own discretion and risk. All detailing and installation should be in accordance with all the relevant codes and standards as per current NCC requirements.

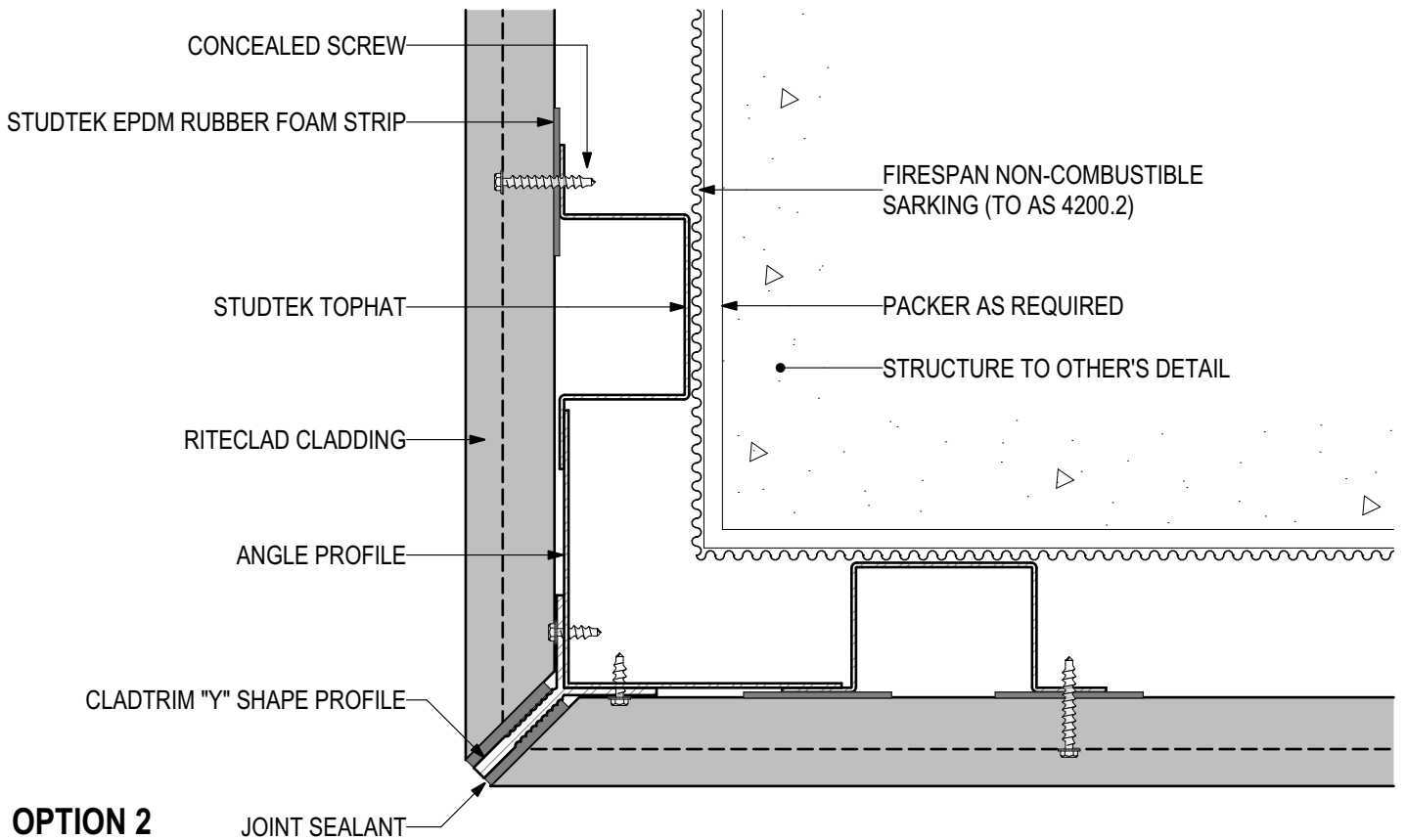
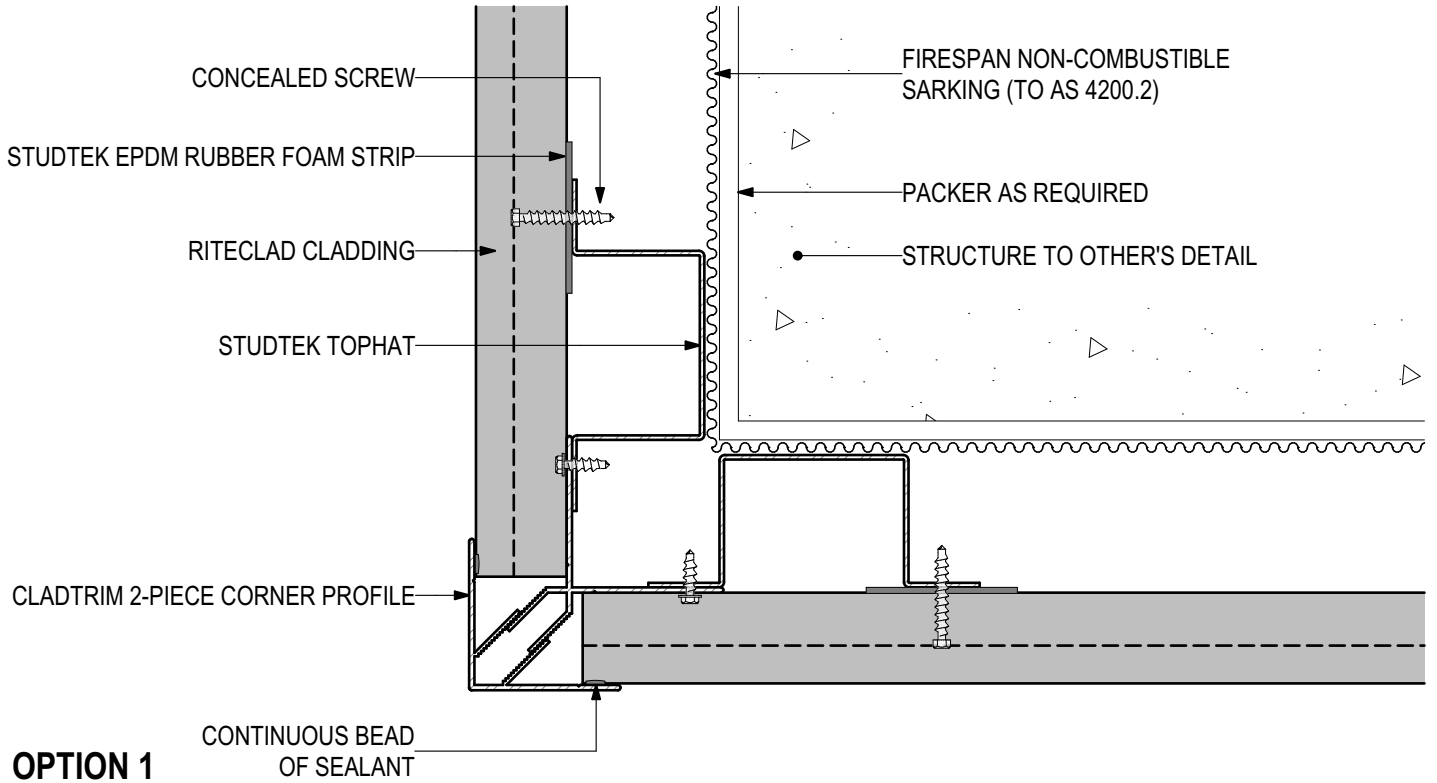
**Blue Chip Group Pty Ltd**

P: 08 9451 2344

F: 08 9451 8983

E: sales@bluechipgroup.net.au

# RITECLAD Through-colour Composite Cladding (V0120) RC-24-CSF Concealed Screw Fix



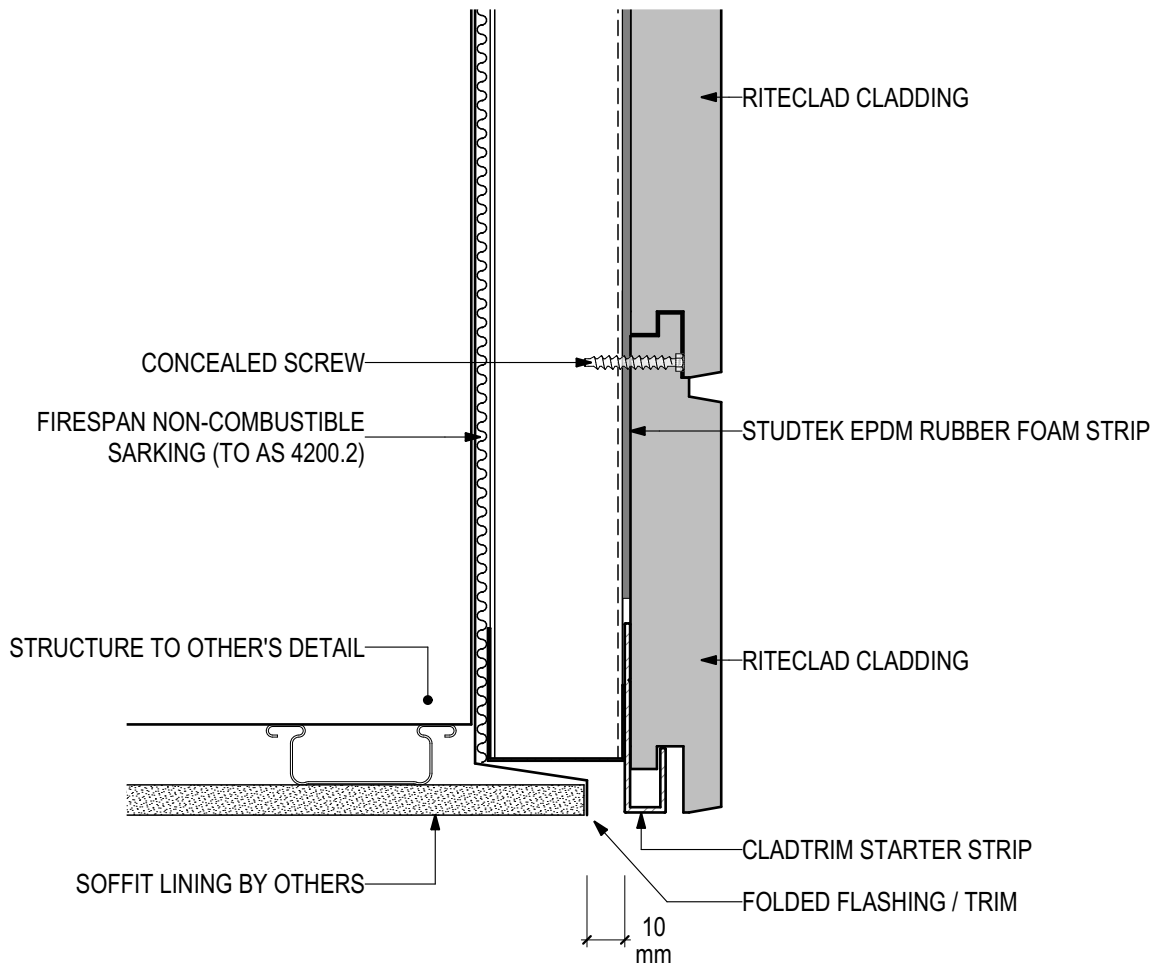
## D.10 - EXTERNAL CORNER

SCALE 1:2

Disclaimer: These details are general design details for use as a guide. Any use is at the user's own discretion and risk. All detailing and installation should be in accordance with all the relevant codes and standards as per current NCC requirements.

**Blue Chip Group Pty Ltd**  
P: 08 9451 2344  
F: 08 9451 8983  
E: sales@bluechipgroup.net.au

# RITECLAD Through-colour Composite Cladding (V0120) RC-24-CSF Concealed Screw Fix



## D.11 - SOFFIT JUNCTION

SCALE 1:2

Disclaimer: These details are general design details for use as a guide. Any use is at the user's own discretion and risk. All detailing and installation should be in accordance with all the relevant codes and standards as per current NCC requirements.

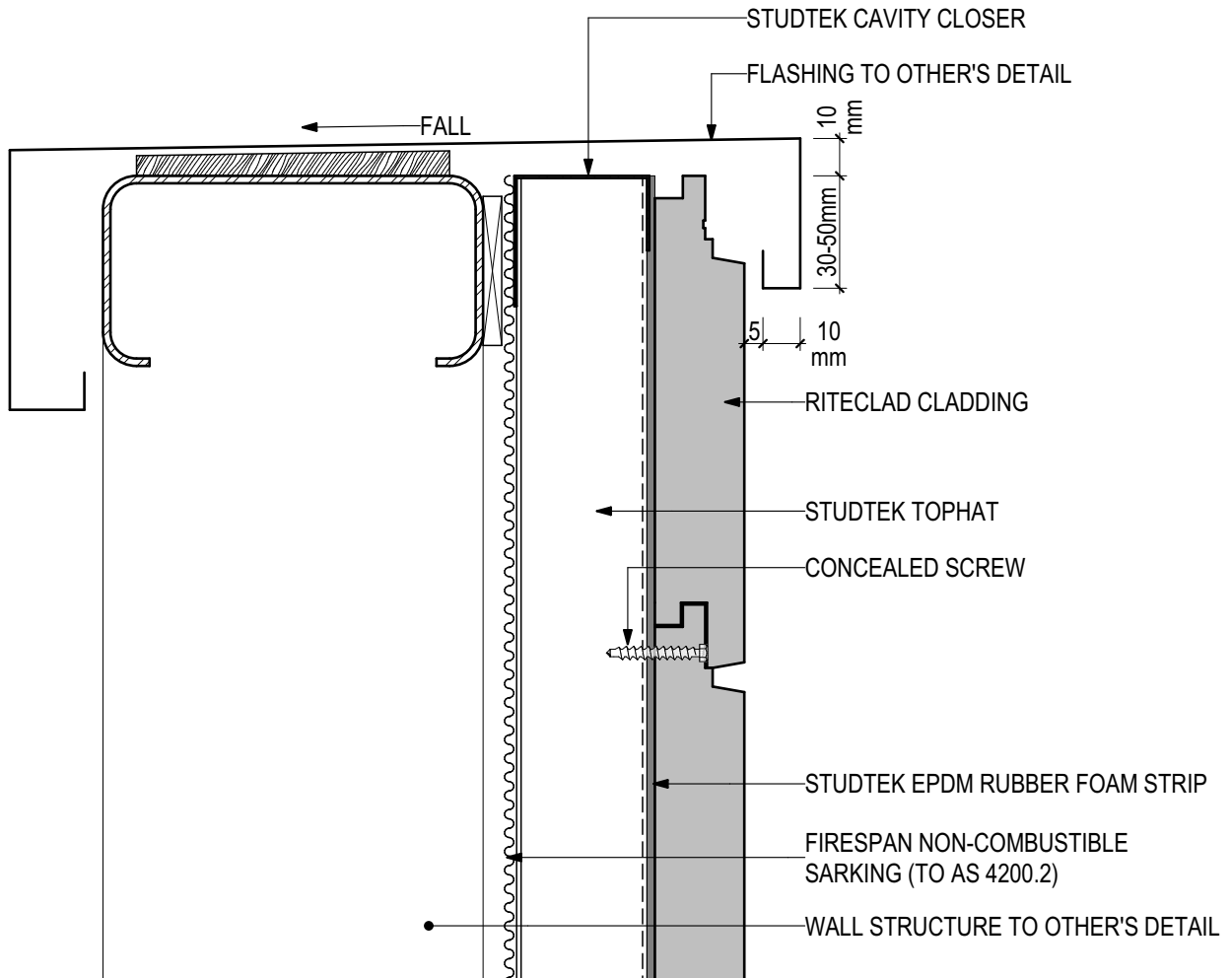
**Blue Chip Group Pty Ltd**

P: 08 9451 2344

F: 08 9451 8983

E: sales@bluechipgroup.net.au

# RITECLAD Through-colour Composite Cladding (V0120) RC-24-CSF Concealed Screw Fix



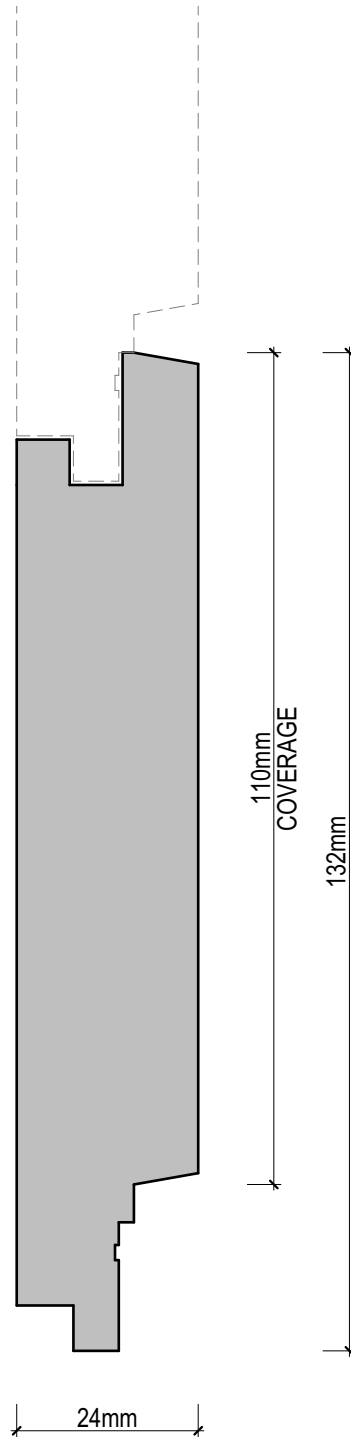
## D.12 - PARAPET DETAIL

SCALE 1:2

Disclaimer: These details are general design details for use as a guide. Any use is at the user's own discretion and risk. All detailing and installation should be in accordance with all the relevant codes and standards as per current NCC requirements.

**Blue Chip Group Pty Ltd**  
P: 08 9451 2344  
F: 08 9451 8983  
E: sales@bluechipgroup.net.au

**RITECLAD Through-colour Composite Cladding (V0120)**  
**RC-24-CSF Concealed Screw Fix**



**RITECLAD 24 PROFILE (RC11524)**

SCALE 1:1

Disclaimer: These details are general design details for use as a guide. Any use is at the user's own discretion and risk. All detailing and installation should be in accordance with all the relevant codes and standards as per current NCC requirements.

**Blue Chip Group Pty Ltd**  
P: 08 9451 2344  
F: 08 9451 8983  
E: [sales@bluechipgroup.net.au](mailto:sales@bluechipgroup.net.au)