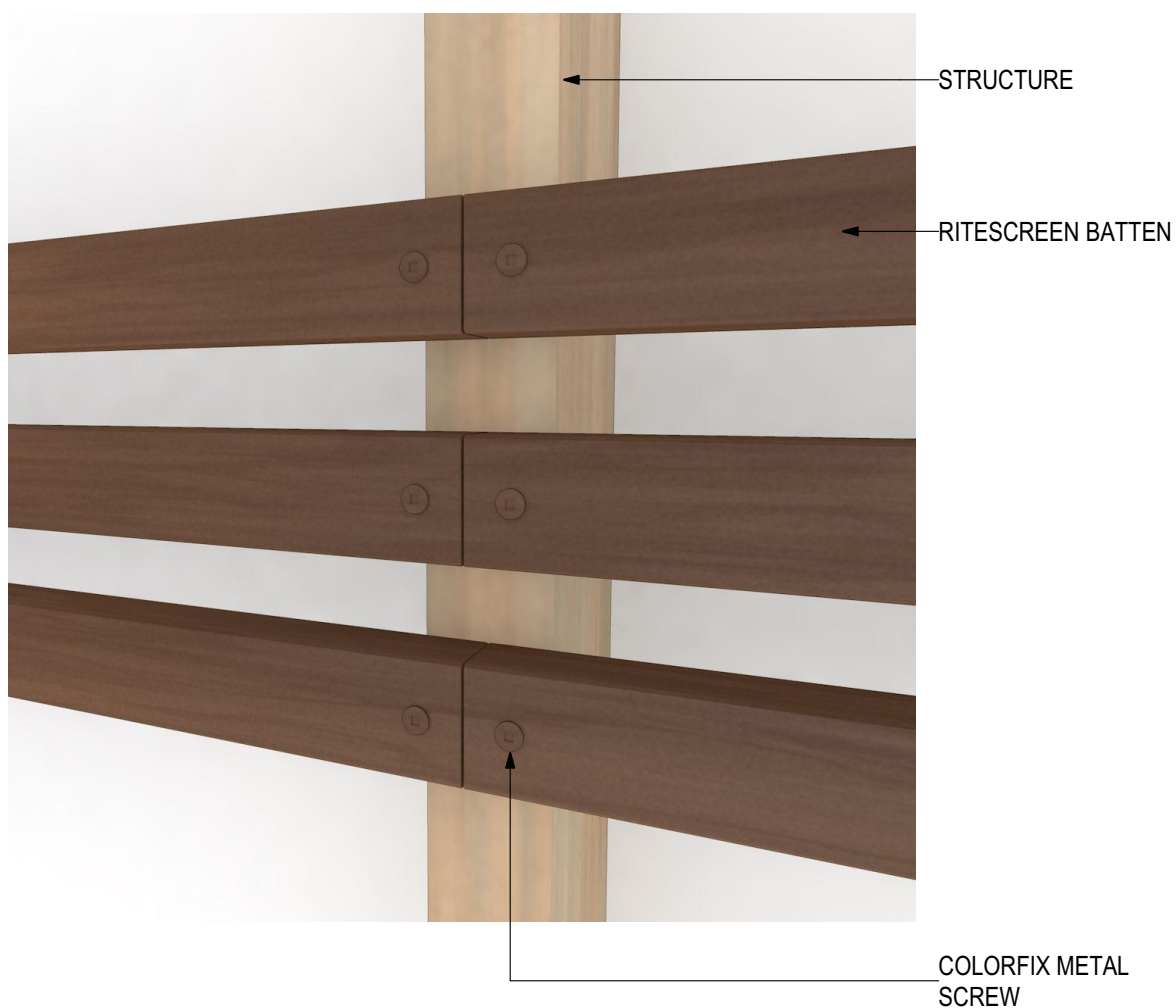


# RITESCREEN Through-colour Composite Screening (V0120) RS-40-VSF | RS-55-VSF | RS-85-VSF | RS-137-VSF

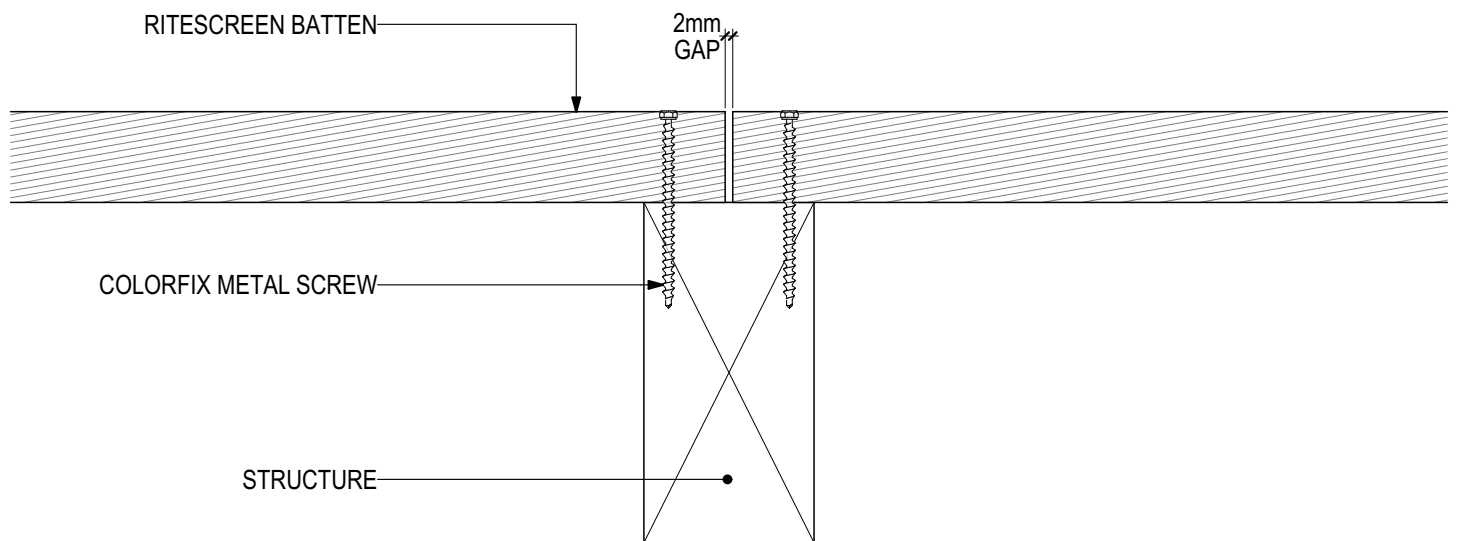


## INSTALLATION DETAILS

Disclaimer: These details are general design details for use as a guide. Any use is at the user's own discretion and risk. All detailing and installation should be in accordance with all the relevant codes and standards as per current NCC requirements.

**Blue Chip Group Pty Ltd**  
P: 08 9451 2344  
F: 08 9451 8983  
E: [sales@bluechipgroup.net.au](mailto:sales@bluechipgroup.net.au)

# RITESCREEN Through-colour Composite Screening (V0120) RS-40-VSF | RS-55-VSF | RS-85-VSF | RS-137-VSF



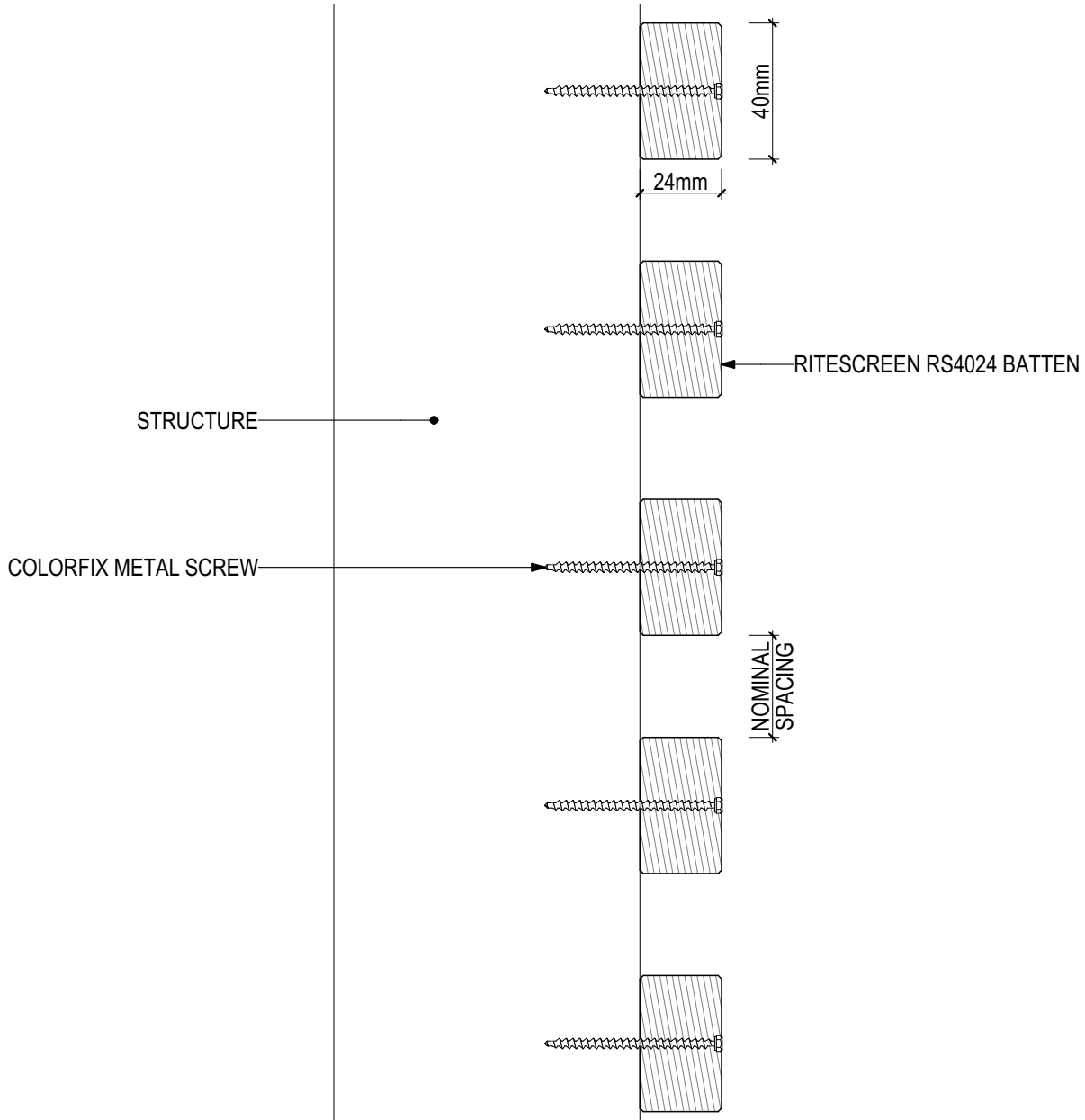
## D.01 - JOINT DETAIL

SCALE 1:2

Disclaimer: These details are general design details for use as a guide. Any use is at the user's own discretion and risk. All detailing and installation should be in accordance with all the relevant codes and standards as per current NCC requirements.

**Blue Chip Group Pty Ltd**  
P: 08 9451 2344  
F: 08 9451 8983  
E: [sales@bluechipgroup.net.au](mailto:sales@bluechipgroup.net.au)

# RITSCREEN Through-colour Composite Screening (V0120) RS-40-VSF



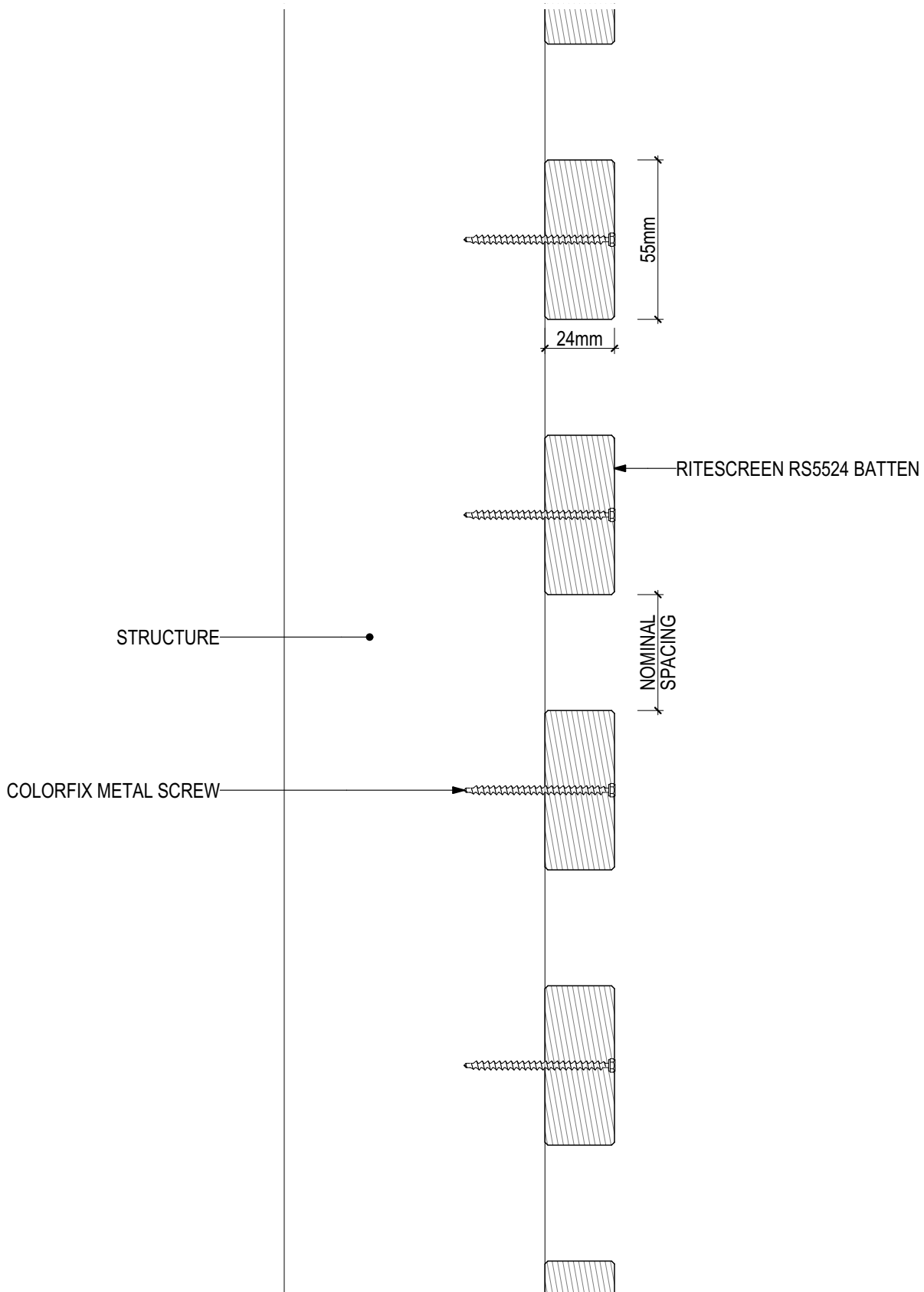
## D.02 - TYPICAL FIXING DETAIL (RS4024)

SCALE 1:2

Disclaimer: These details are general design details for use as a guide. Any use is at the user's own discretion and risk. All detailing and installation should be in accordance with all the relevant codes and standards as per current NCC requirements.

**Blue Chip Group Pty Ltd**  
P: 08 9451 2344  
F: 08 9451 8983  
E: sales@bluechipgroup.net.au

# RITESCREEN Through-colour Composite Screening (V0120) RS-55-VSF



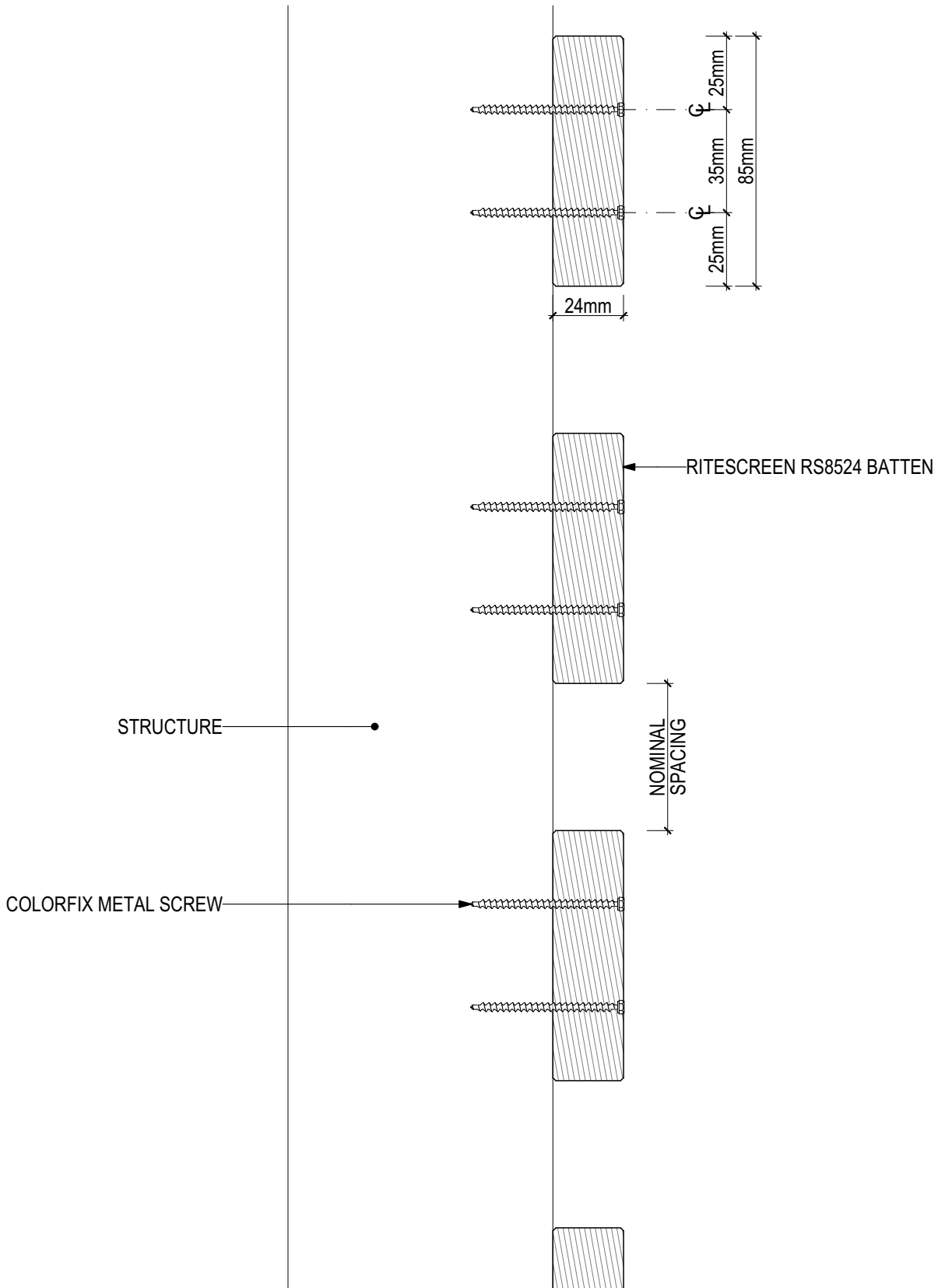
## D.03 - TYPICAL FIXING DETAIL (RS5524)

SCALE 1:2

Disclaimer: These details are general design details for use as a guide. Any use is at the user's own discretion and risk. All detailing and installation should be in accordance with all the relevant codes and standards as per current NCC requirements.

**Blue Chip Group Pty Ltd**  
P: 08 9451 2344  
F: 08 9451 8983  
E: sales@bluechipgroup.net.au

# RITSCREEN Through-colour Composite Screening (V0120) RS-85-VSF



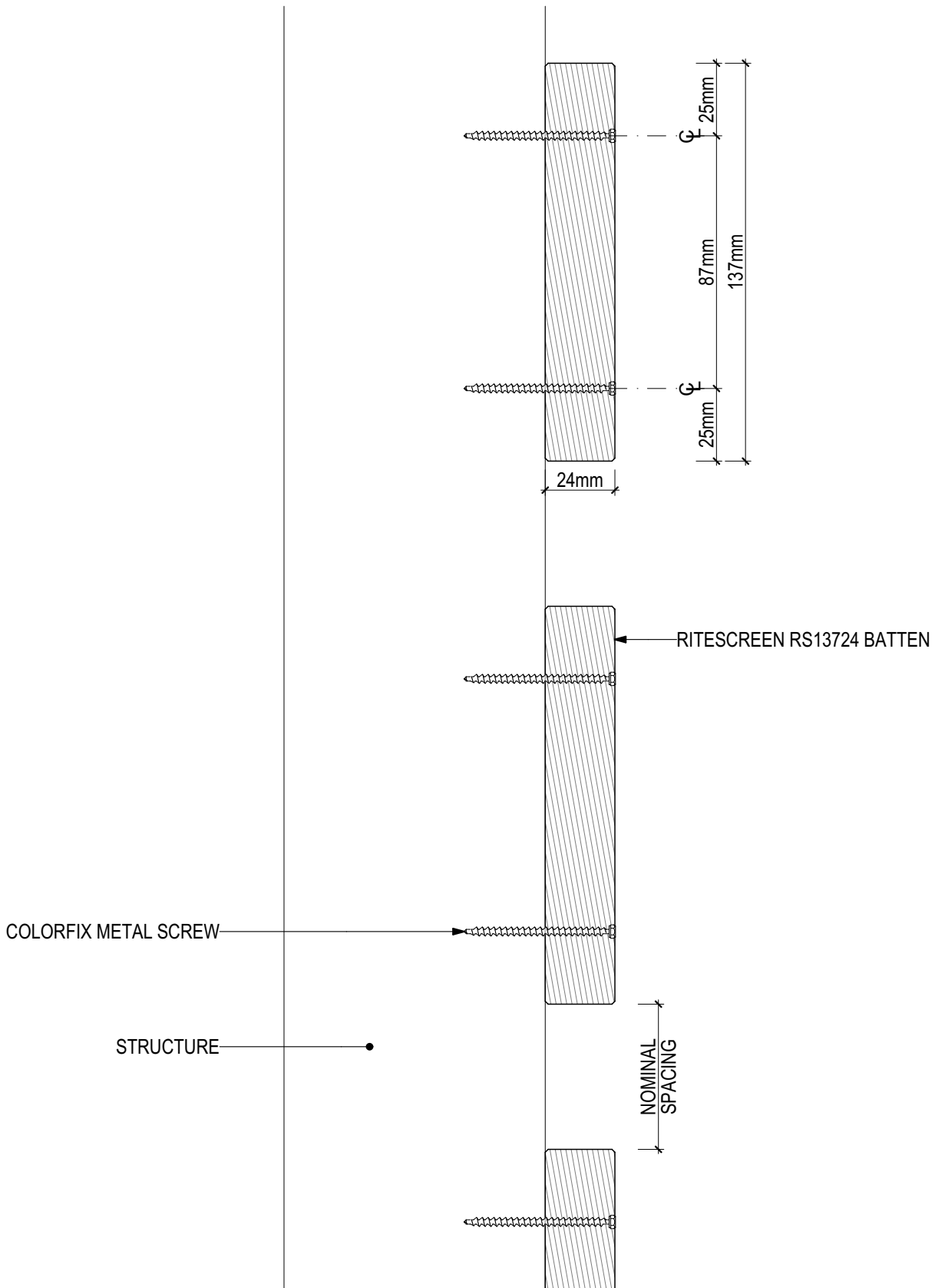
## TYPICAL FIXING DETAIL (RS8524)

SCALE 1:2

Disclaimer: These details are general design details for use as a guide. Any use is at the user's own discretion and risk. All detailing and installation should be in accordance with all the relevant codes and standards as per current NCC requirements.

**Blue Chip Group Pty Ltd**  
P: 08 9451 2344  
F: 08 9451 8983  
E: sales@bluechipgroup.net.au

# RITSCREEN Through-colour Composite Screening (V0120) RS-137-VSF



## TYPICAL FIXING DETAIL (RS13724)

SCALE 1:2

Disclaimer: These details are general design details for use as a guide. Any use is at the user's own discretion and risk. All detailing and installation should be in accordance with all the relevant codes and standards as per current NCC requirements.

**Blue Chip Group Pty Ltd**

P: 08 9451 2344

F: 08 9451 8983

E: sales@bluechipgroup.net.au